

SAFETY PRECAUTIONS 安全注意事項

Be sure to observe the following safety precautions in order to avoid possible injury to yourself or others and damage to your belongings.
請務必嚴格遵守以下說明之注意事項以防止對使用者或其他人造成傷害或財物損失。

The following symbols indicate the degree of possible danger if the relevant precautions are ignored.
下列標記代表因不小心或錯誤操作有關圖示的內容而致不同程度之危險或損失。

- WARNING 警告** This term warns you that death or serious injury may result by incorrect operation of the product.
此項目警告您錯誤操作此產品可能會導致死亡或嚴重受傷。
- CAUTION 注意** This term cautions you that injury or physical damage to property may result by incorrect operation of the product.
此項目警告您錯誤操作此產品可能會導致受傷或對財物造成物理性損壞。

Precautions are classified using the following symbols.
應遵守的事項有以下分類並由下列圖示來區分及說明。

- Symbol with white background denotes a PROHIBITED action.
白色背景的標記表示有關行為被禁止。
- This symbol denotes action that are compulsory.
此標記表示有關行為為強制性的。

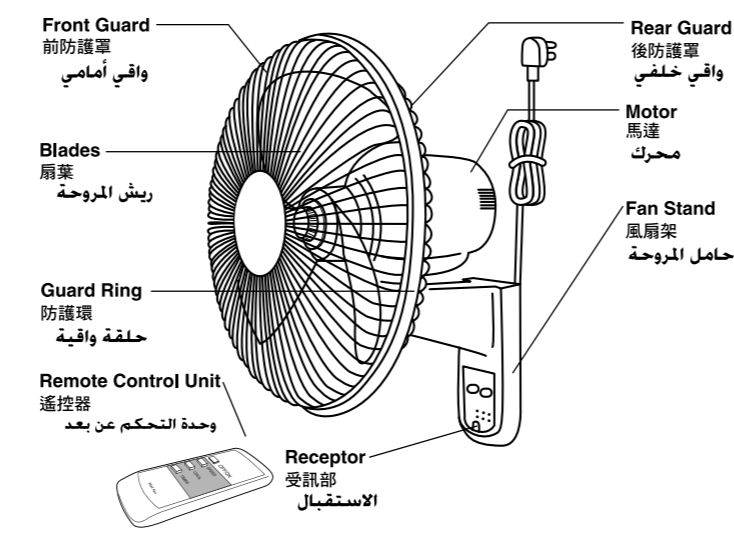
WARNING 警告

- Never try to take apart, repair or modify this product.
切勿擅自拆解、修理或改造。
- Do not damage power cord or main plug.
切勿破壞電線或插頭損壞。
- Do not take apart 禁止拆解
It may cause fire or electric shock.
會引起火災或觸電。
- Contact the dealer for repairing this product.
若本品故障時請找經銷商修理。
- Do not plug line cord into outlet until fan has been completely assembled.
除非電風扇完全裝配妥當，否則不要將電源線插入電源出口。
- Do not connect this unit to power supply other than designated country rated voltage.
不要連接本機至非指定國家的額定電壓的電力供應。
- Do not contact with water.
不可讓風扇沾水。

WARNING 警告

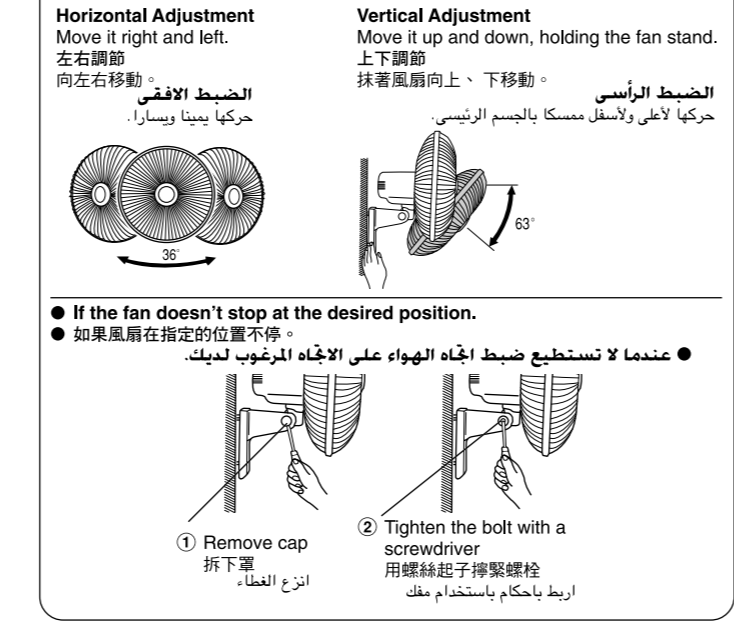
- Wipe off dust on the plug and socket periodically.
要定期清除電源插頭及插座上之灰塵。
- Disconnect from power supply and use a piece of dry cloth to clean the plug.
請將電源插頭拔出，用干布抹淨。
- Unplug the fan if it will not be used for a long period.
若長時間不使用風扇，請將電源插頭拔出。
- Disconnect power supply before cleaning.
清潔前必須先切斷電源。
- Unplug the fan if your hands are wet.
手濕時切勿接觸電源插頭。
- Do not wash the filter with water.
請勿用水清洗濾網。
- Make sure all screws and connection are tightly screwed and secured.
確保所有螺絲釘都已鎖緊和所有連接都已固定。
- Can cause injury if drops.
會導致受傷若掉落。
- The safety wire must be always connected.
確定電源插頭完全插入插座。

NAME OF PARTS / HOW TO OPERATE 各部件名稱及使用說明

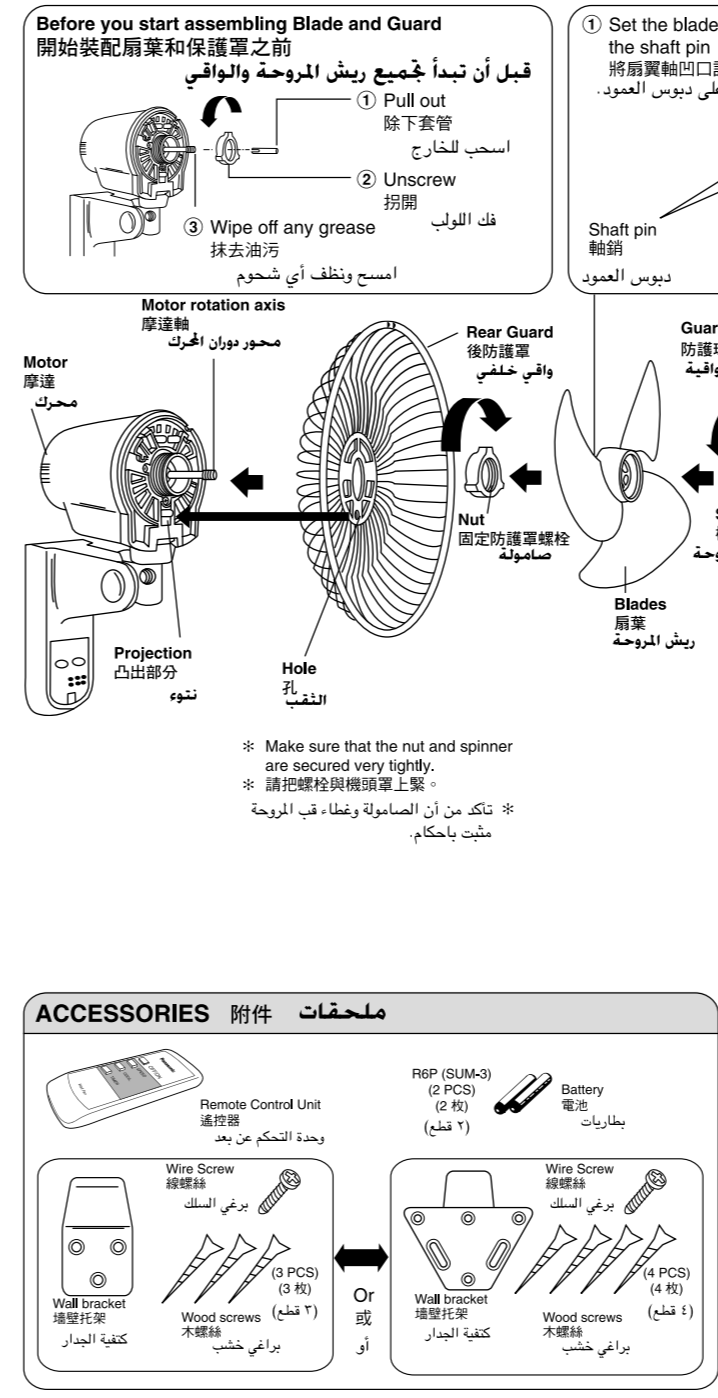


Control panel is slightly heated with power plug connected. (A slight amount of current flows in control circuit.)
當插頭接上電源時，面板會輕微發熱。(有少量的電流流入控制電路。)

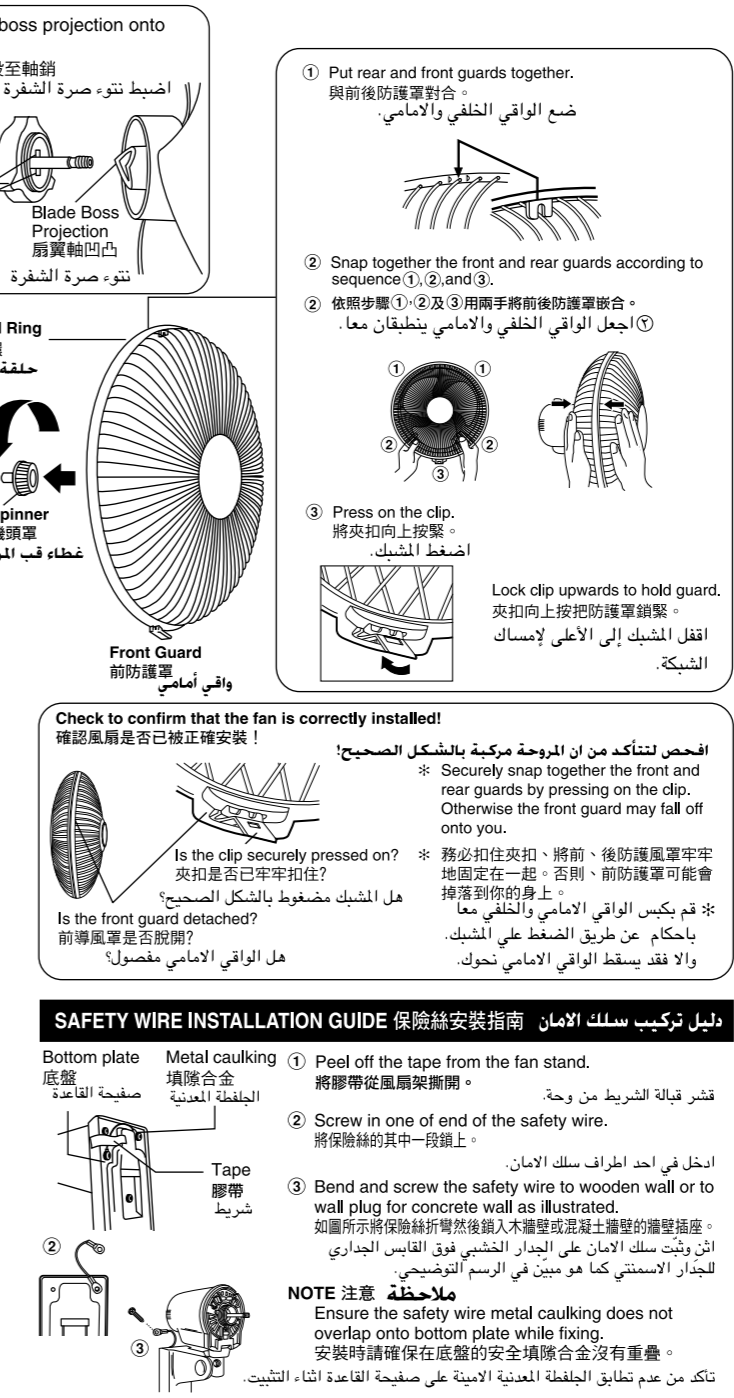
ADJUSTMENT OF WIND DIRECTION 風向調節



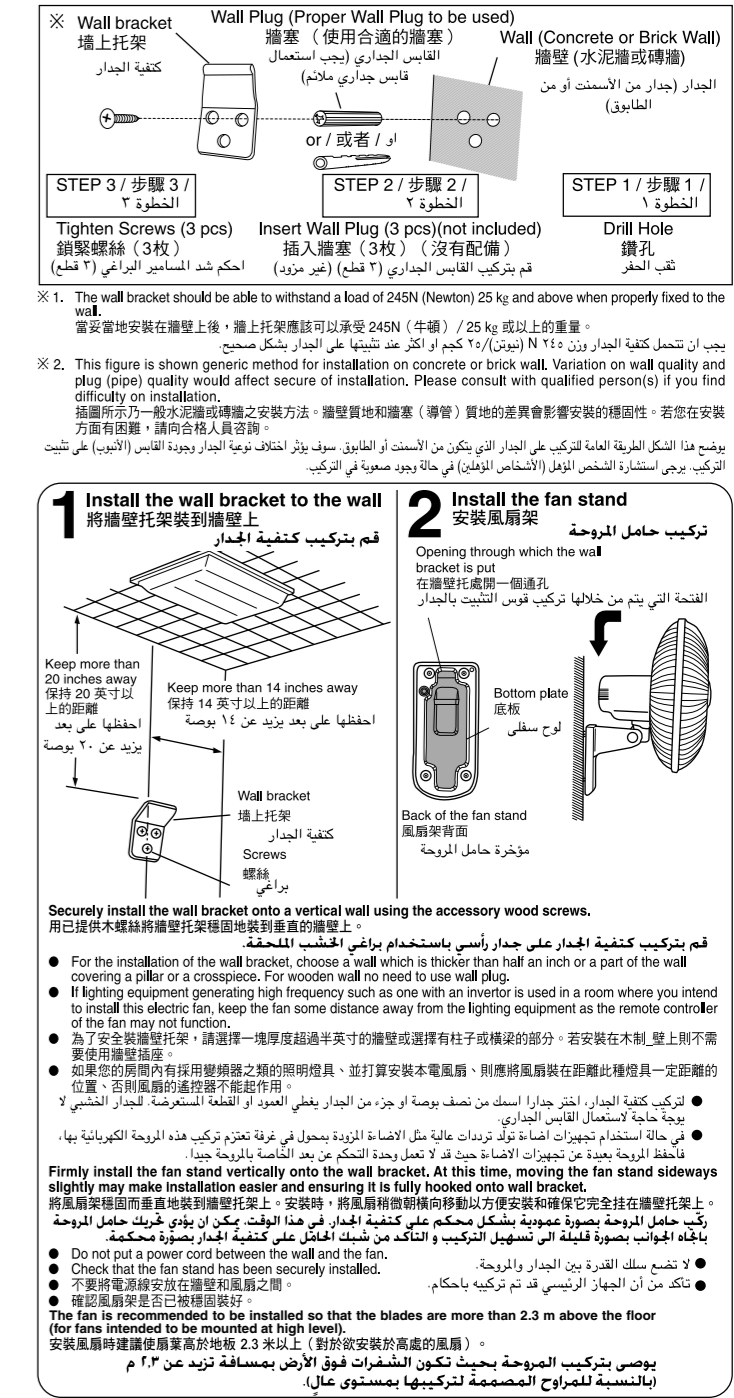
HOW TO ASSEMBLE 組裝方法



INSTALLATION 安裝



INSTALLATION 安裝



ACCESSORIES 附件

- Remote Control Unit 遙控器
- Wire Screw 螺絲釘
- Wall bracket 牆壁托架
- Bottom plate 底座
- Battery 電池
- Wire Screw 螺絲釘
- Wall bracket 牆壁托架
- Bottom plate 底座
- Wire Screw 螺絲釘
- Wall bracket 牆壁托架
- Bottom plate 底座

SAFETY WIRE INSTALLATION GUIDE 保險絲安裝指南

- Peel off the tape from the fan stand.
將膠帶從風扇架撕開。
- Screw in one end of the safety wire.
將保險絲的其中一段鎖上。
- Bend and screw the safety wire to wooden wall or to wall plug for concrete wall as illustrated.
將保險絲彎折後鎖入木牆壁或混凝土牆壁的牆壁插座。
- Ensure the safety wire metal caulking does not overlap onto bottom plate while fixing.
安裝時請確保在底盤的安全填隙合金沒有重疊。