

# SECTION 8

---

---

## Panasonic Broadcast AG-DVX100 Mechanical Parts List

---

---

Note:

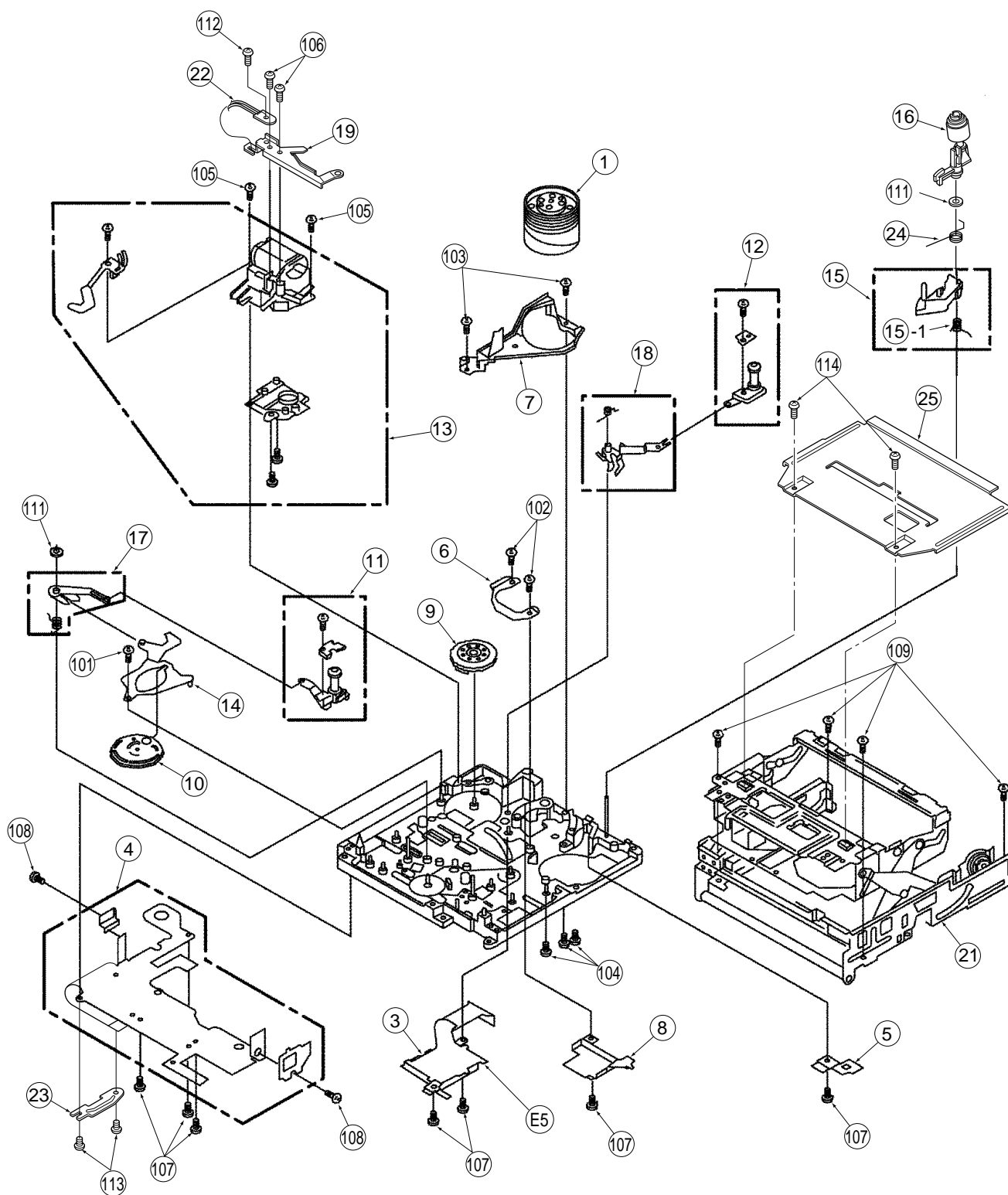
1. \*Be sure to make your orders of replacement parts according to this list.
2. Unless otherwise specified, all resistors are in OHMS, K=1,000 OHMS, all capacitors are in MICROFARADS ( $\mu$ F), P= $\mu$  $\mu$ F.
3. The P.C. Board unit marked with "■" shown below the main assembled parts.
4. The parts marked with  $\text{\textcircled{E}}$  on the exploded view show the electric parts.
5. IMPORTANT SAFETY NOTICE  
Components identified with the mark  $\Delta$  have the special characteristics for safety. When replacing any of these components, use only the same type.
6. The marking (RTL) indicates the retention time is limited for this item.  
After the discontinuation of this assembly in production, it will no longer be available.
7. "(M)" in Remark column indicates needed in the periodical maintenance.

### CONTENTS

SERVICING FIXTURES & TOOLS .....	PRT-1
MECHANICAL CHASSIS ASSEMBLY (1) .....	PRT-2
MECHANICAL CHASSIS ASSEMBLY (2) .....	PRT-4
FRAME & CASING PARTS ASSEMBLY (1).....	PRT-6
FRAME & CASING PARTS ASSEMBLY (2).....	PRT-8
HANDLE & EVF PARTS ASSEMBLY .....	PRT-10
LCD PARTS ASSEMBLY .....	PRT-12
PACKING PARTS ASSEMBLY .....	PRT-14

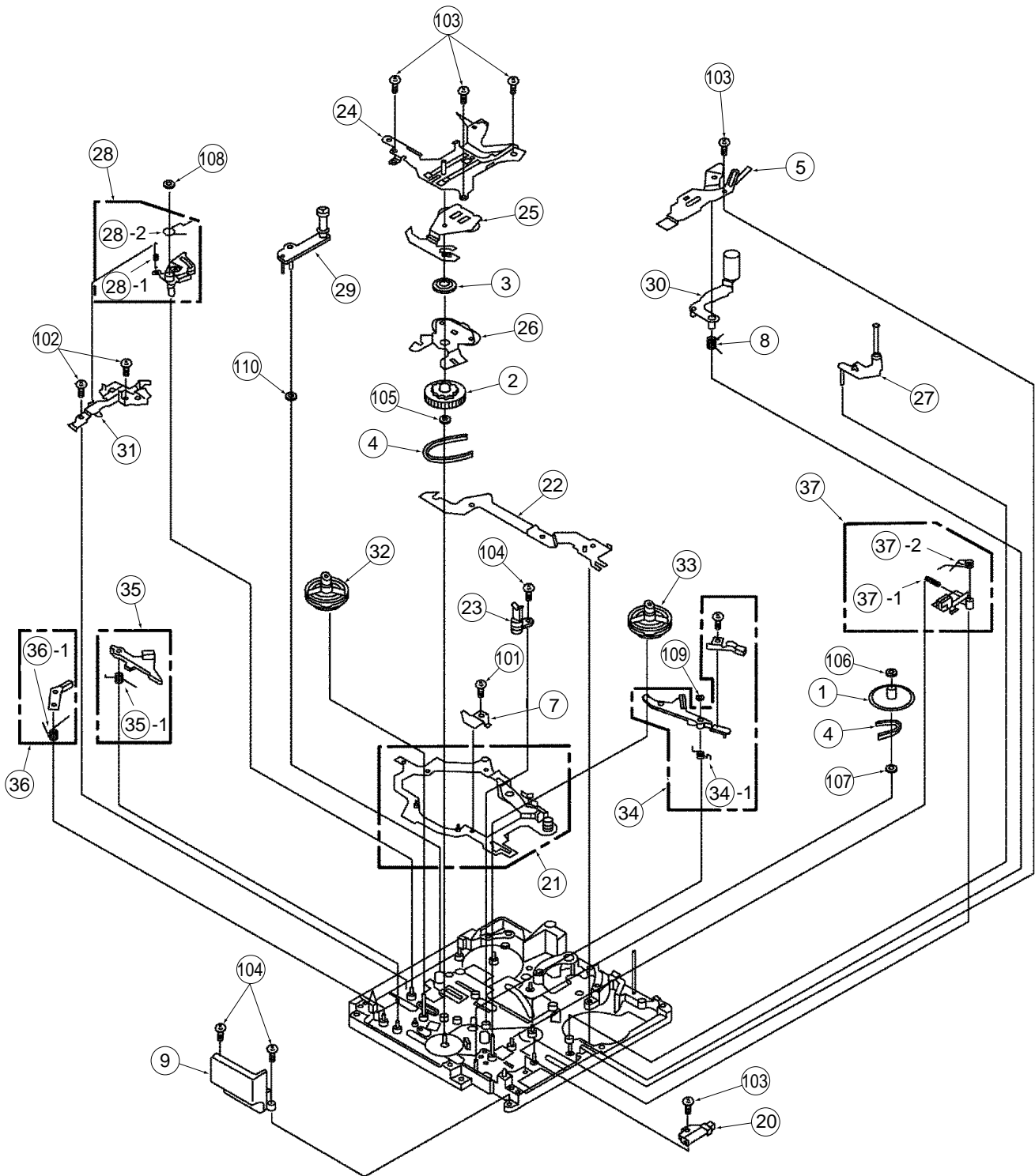


# MECHANICAL CHASSIS ASSEMBLY (1)






# MECHANICAL CHASSIS ASSEMBLY (2)

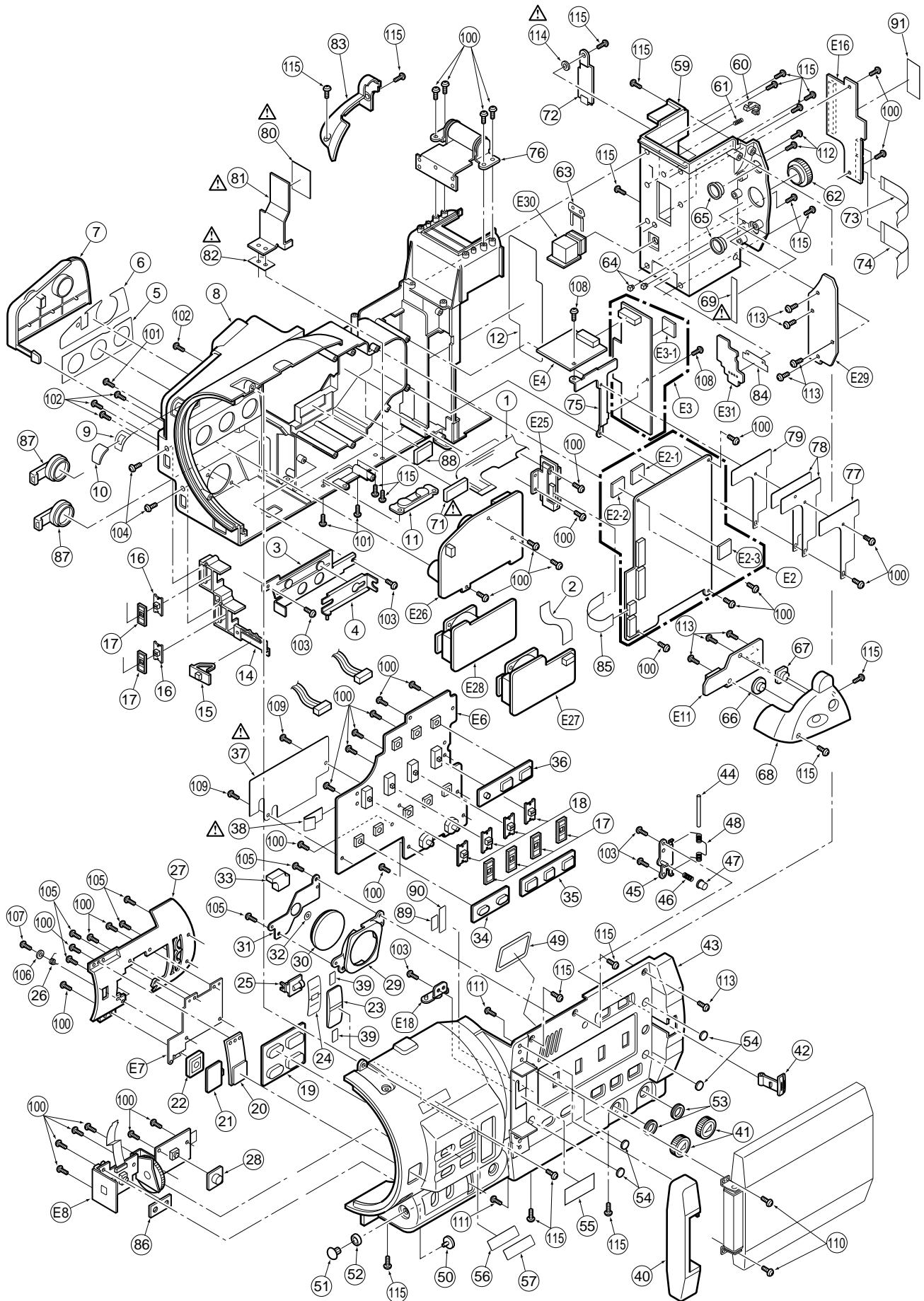


## MECHANICAL CHASSIS ASSEMBLY (2)

Ref.No.	Part No.	Part Name & Description	Pcs	Remarks	Ref.No.	Part No.	Part Name & Description	Pcs	Remarks
1	VDG1445	DRIVE PULLEY	1						
2	VDG1031	CENTER PULLEY	1						
3	VDG1032	SENSOR GEAR	1						
4	VDV0265	TIMING BELT	1						
5	VMA9178	PINCH PRESSURE PLATE	1						
7	VMA9181	BRAKE ROD SUPPORT (T)	1						
8	VMB2776	SPRING	1						
9	VSH0067	MIC SWITCH	1	KOMZ5500001					
20	VSJ0114	SOLENOID	1						
21	VXA5401	BRAKE ROD ASS'Y	1						
22	VXA5408	T3 ROD ASS'Y	1						
23	VXA5411	LED HOLDER ASS'Y	1						
24	VXA6576	COVER PLATE ASS'Y	1						
25	VXL2454	P IDLER ARM ASS'Y	1						
26	VXL2455	FR IDLER ARM ASS'Y	1						
27	VXL2456	TENSION ARM ASS'Y	1 (M)						
28	VXL2732	PAD ARM ASS'Y	1 (M)						
28-1	VMB2788	TENSION SPRING	1						
28-2	VMB2787	PAD ARM SPRING	1						
29	VXL2462	T3 ARM ASS'Y	1						
30	VXL3161	PINCH ARM ASS'Y	1 (M)						
31	VXL2466	EJECT ARM ASS'Y	1						
32	VXR0355	SUPPLY REEL TABLE	1 (M)						
33	VXR0356	TAKE UP REEL TABLE	1 (M)						
34	VXZ0319	TAKE UP MAIN BRAKE	1						
34-1	VMB2782	T MAIN BRAKE SPRING	1						
35	VXZ0321	SUPPLY MAIN BRAKE	1 (M)						
35-1	VMB2783	S MAIN BRAKE SPRING	1						
36	VXZ0322	FF BRAKE ASS'Y	1 (M)						
36-1	VMB2784	FF BRAKE SPRING	1						
37	VXZ0441	REV BRAKE ASS'Y	1						
37-1	VMB3388	REV SPRING	1						
37-2	VMB3389	REV BRAKE SPRING	1						
101	VHD0884	SCREW	1						
102	XQN14+B15	SCREW	2						
103	VHD0883	SCREW	5						
104	XQN14+B35	SCREW	3						
105	VMX2503	C PULLEY WASHER	1						
106	VMX3122	WASHER	1						
107	VMX2504	WASHER	1						
108	VMX2027	CUT WASHER	1						
109	VMX2028	WASHER	1						
110	VMX2394	WASHER	1						

# FRAME & CASING PARTS ASSEMBLY

Components identified with the mark  have the special characteristics for safety. When replacing any of these components, use only the same type.



PRT-6

# FRAME & CASING PARTS ASSEMBLY (1)

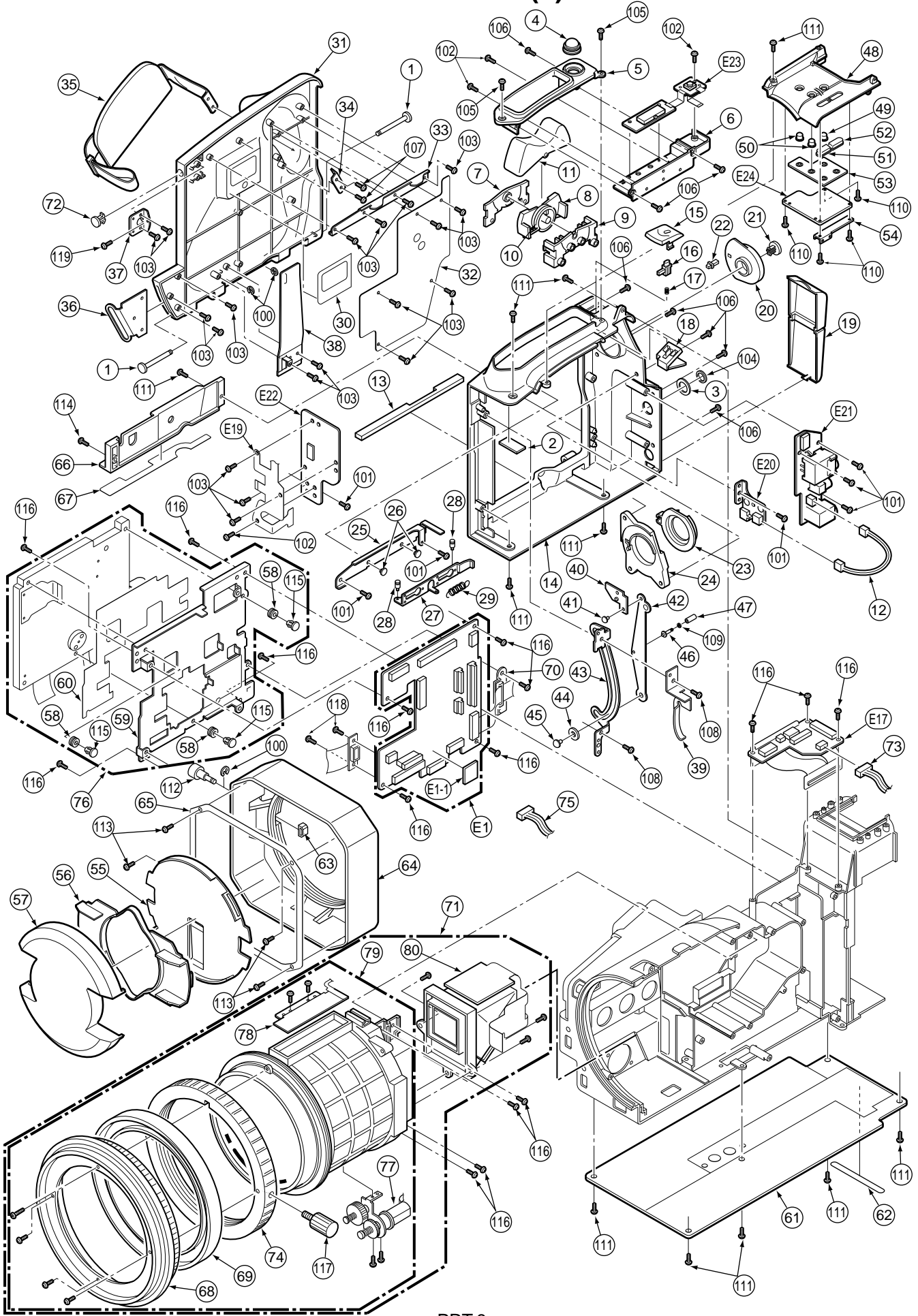
Components identified with the mark  $\Delta$  have the special characteristics for safety. When replacing any of these components, use only the same type.

Ref.No.	Part No.	Part Name & Description	Pcs	Remarks
1	VWJ1583	SIDE JACK FLEX.	1	
2	VWJ10E5050L0	FLAT CABLE	1	
3	VML3710	CLUTCH SLIDE PLATE	1	
4	VMP7341	CLUTH ANGLE	1	
5	VGH4612	JACK NAME PLATE B	1	
6	VGH4615	JACK NAME PLATE A	1	
7	VJF1470	SIDE JACK CAP	1	
8	VKM5983	CENTER FRAME	1	
9	VMZ3318	AWB COVER HOLDER SHEET	1	
10	VKW3078	AWB WINDOW	1	
11	WMD3345	TRIPOD FRAME	1	
12	VMZ3323	EVR INSULATION SHEET	1	
14	VGO6902	MIC SWITCHING KNOB HOLDER	1	
15	VGU9246	ZOOM CLUCH KNOB	1	
16	VGU9194	MIC SWITCHING KNOB	2	
17	VMG1460	SLIDE SW RUBBER COVER	6	
18	VGU9214	SLIDE KNOB	4	
19	VGU9200	CAMERA OP BUTTON	1	
20	VGO6896	FOCUS KNOB HOLDER	1	
21	VGU9213	FOCUS SLIDE KNOB	1	
22	VGU9211	FOCUS BUTTON	1	
23	VGO6894	ND SWITCHING PIECE	1	
24	VGO6906	HOLDER BLIND SHEET	1	
25	VGU9222	ND SWITCHING KNOB	1	
26	VMB3681	FOCUS KNOB SPRING	1	
27	VGO6905	ND FILTER HOLDER	1	
28	VGU9228	IRIS BUTTON	1	
29	VGO6897	SPEAKER HOLDER	1	
30	VEK9842	SPEAKER ASS'Y	1	
31	VMP7330	SPEAKER HOLDER ANGLE	1	
32	VMT1347	SPEAKER HOLDER CUSHION	1	
33	VMT1367	P.C.B. HOLDER CUSHION	1	
34	VGU9250	RUBBER BUTTON 2	1	
35	VGU9251	RUBBER BUTTON 3	1	
36	VGU9202	RUBBER BUTTON 1	1	
$\Delta$ 37	VSC5460	SIDE (R) SHIELD PLATE	1	
$\Delta$ 38	VMZ3317	C.B.A. PROTECT SHEET	1	
39	VGO7175	ND KNOB SHEET	2	
40	VGO6874	HINGE COVER	1	
41	VGU9212	AUDIO ROTATING KNOG	2	
42	VGU9197	MONITOR LOCK KNOB	1	
43	VGP5800	SIDE CASE (R)	1	
44	VMS7187	LCD LOCK SHAFT	1	
45	VMP7331	OPENER HOLDER ANGLE	1	
46	VMB3661	POP UP SPRING	1	
47	VGO6901	MONITOR KNOB	1	
48	VMB3659	MONITOR OPENER SPRING	1	
49	VKN0169	SPEAKER NET	1	
50	VGU9223	W.BAL KNOB (LOWER)	1	
51	VGU9217	W.BAL KNOB (UPPER)	1	
52	VMG1418	RAIN COVER RUBBER (B)	1	
53	VMG1467	VR WATERPROOF RUBBER	2	
54	VMG1286	CUSHION RUBBER	4	
55	VMZ3316	MONITOR FPC PROTECT SHEET	1	
56	VGO4088	3CCD BADGE TAPE	1	
57	VGB0322	3CCD BADGE	1	
59	VGP5813	BACK PANEL	1	
60	VGU8582	BATTERY LOCK BUTTON	1	
61	VMB3210	BATTERY LOCK SPRING	1	
62	VGU9218	MODE SELECT KNOB	1	
63	VMP7340	DCIN ANGLE	1	
64	VGL1012	MODE PANEL LIGHT	2	
65	VGU9219	CAMERA/VCR BUTTON	2	
66	VGU9209	JOY STICK BUTTON	1	
67	VGU9199	MENU BUTTON	1	
68	VGO6924	VF CASE (R)	1	
$\Delta$ 69	VMZ3315	BATTERY BLIND SHEET	1	
$\Delta$ 71	VMG1516	CCD HEAT SINK SHEET	1	
72	VGO6886	EVR COVER	1	
73	VWJ13E5085L0	FLEX. CABLE	1	
74	VWJ1585	R SIDE FPC	1	
75	VMP7357	C.B.A. HOLDER ANGLE	1	
76	VKC0594	VF HINGE	1	
77	VMZ3340	SHIELD INSULATION PLATE 1	1	

Ref.No.	Part No.	Part Name & Description	Pcs	Remarks
78	VSC5478	CAMERA C.B.A. SHIELD	2	
79	VMZ3341	SHIELD INSULATION PLATE 2	1	
$\Delta$ 80	VMG1514	POWER HEAT SINK SHEET 1	1	
$\Delta$ 81	VSC5471	POWER HEAT SINK SHEET	1	
$\Delta$ 82	VMG1515	POWER HEAT SINK SHEET 2	1	
83	VGO6923	VF CASE (L)	1	
84	VEK8719	BATTERY CATHETER	1	K4ZZ04000026
85	VWJ10E5050L0	FLAT CABLE	1	
86	VMG1520	TOGGLE SW CUSHION	1	
87	VJF1468	XLR CAP	2	
88	VMG1517	CCD HEAT SINK	1	
89	VMZ3356	FPC PROTECT SHEET	1	
90	VMZ3357	FPC LOCK SHEET	1	
91	VMZ3345	LED INSULATION PLATE	1	
100	XQN2+B4FN	SCREW	35	
101	XQN16+B4FZ	SCREW	3	
102	XYN26+A6FZ	SCREW	4	
103	XYN2+C4	SCREW	5	
104	XQN16+B4FZ	SCREW	2	
105	XQN2+C5	SCREW	6	
106	XWG2	WASHER	1	
107	XQN16+B3FZ	SCREW	1	
108	XQN2+B35FN	SCREW	2	
109	XYN2+F5	SCREW	2	
110	XYN2+C6	SCREW	2	
111	XQN2+B4	SCREW	2	
112	XQN2+B3FZ	SCREW	2	
113	XQN2+B4FZ	SCREW	8	
$\Delta$ 114	VMX3286	WASHER	1	
115	XQN2+B4FZ	SCREW	21	
E2	VEP23571A	CAMERA C.B.A.	1	
E2-1	VEP001A7A	CAMERA SUB 1 C.B.A.	1	
E2-2	VEP001A7B	CAMERA SUB 2 C.B.A.	1	
E2-3	VEP001A7C	CAMERA SUB 3 C.B.A.	1	
E3	VEP01914A	POWER C.B.A.	1	
E3-1	VEP001A6A	POWER SUB C.B.A.	1	
E4	VEP01922A	POWER 2 C.B.A.	1	
E6	VEP04817A	R-SIDE C.B.A.	1	
E7	VEP06E92A	CAMERA OP1 C.B.A.	1	
E8	VEP06E93A	CAMERA OP2 C.B.A.	1	
E11	VEP00020A	MENU C.B.A.	1	
E16	VEP000Y2A	EVR CONNECT C.B.A.	1	
E18	VEP000Y4A	LCD OPEN SW C.B.A.	1	
E25	VEP22331A	GYRO C.B.A.	1	
E26	VEP04816A	SIDE JACK C.B.A.	1	
E27	VEP04815A	EXT MIC CH2 C.B.A.	1	
E28	VEP04825A	EXT MIC CH1 C.B.A.	1	
E29	VEP06E89A	MODE SW C.B.A.	1	
E30	VEP01923A	DC IN C.B.A.	1	
E31	VEP01915A	BATTERY C.B.A.	1	



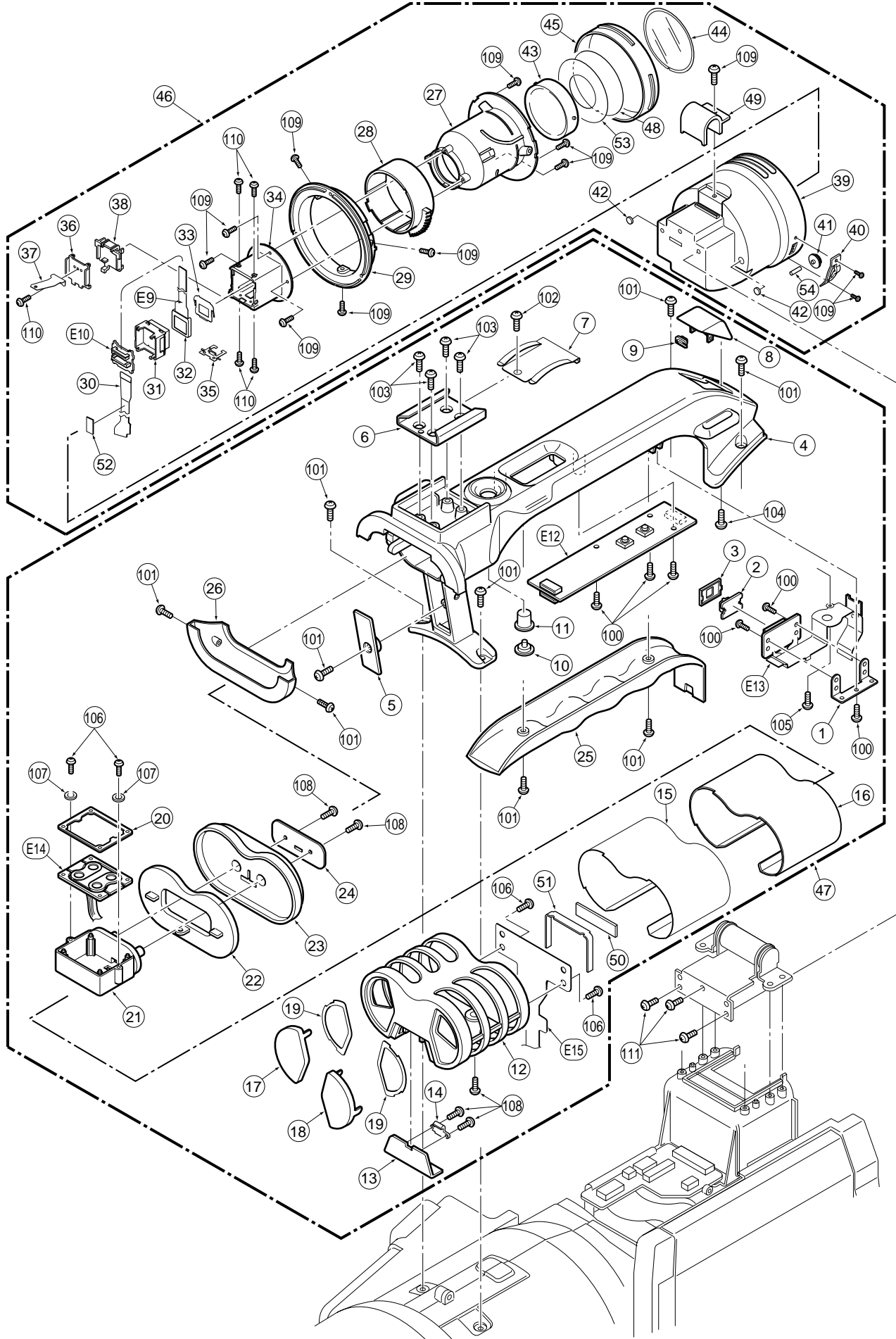
# FRAME & CASING PARTS ASSEMBLY (2)



# FRAME & CASING PARTS ASSEMBLY (2)

Ref.No.	Part No.	Part Name & Description	Pcs	Remarks	Ref.No.	Part No.	Part Name & Description	Pcs	Remarks
1	VMS7186	ROTATING SHAFT	2		75	VEE0T93	MIK IO	1	
2	VMZ3097	POWER INSULATION SHEET C	1		76	VXY1738S	MECHA CHASSIS ASSY	1	(M)
3	VMX0531	CLATCH SPACER	1		77	L6DABFKD0001	ZOOM MOTOR ASSY	1	
4	VGU9203	REC CHECK RUBBER BUTTON	1		78	EVAJGGVA3B14	ZOOM ENCODER	1	
5	VGO6903	ZOOM LEVER CASE (R)	1		79	VXW0565	LENS ASS'Y	1	
6	VGO6904	ZOOM LEVER CASE (L)	1		80	VXQ1083	PRISM ASSY	1	
7	VGO6996	ZOOM HOLDER (R)	1						
8	VGO6997	ZOOM SPRING HOLDER PIECE	1						
9	VGO6928	ZOOM SW HOLDER	1		100	XUC15FX	E-RING	3	
10	VMB3663	COIL SPRING ZOOM	1		101	XQN2+B3FN	SCREW	7	
11	VGU9215	ZOOM LEVER	1		102	XQN16+BJ3FZ	SCREW	4	
12	VEE0U25	EJECT 1	1		103	XQN2+BJ4FZ	SCREW	19	
13	VMT1350	CASSETTE COVER GASKET	1		104	VHN0194	SPACER	1	
14	VGP5801	SIDE CASE (L)	1		105	XQN16+B4FZ	SCREW	2	
15	VGU9206	EJECT KNOB	1		106	XQN16+BJ4FZ	SCREW	8	
16	VGU9216	EJECT LOCK BUTTON	1		107	XTB26+6GFZ	SCREW	2	
17	VMB3662	EJECT LOCK BUTTON SPRING	1		108	XYN2+C6	SCREW	2	
18	VGO6899	EJECT KNOB FIX PIECE	1		109	VMX2535	WASHER	1	
19	VJF1469	H.P CAP	1		110	XQN2+B35FN	SCREW	4	
20	VGU9204	POWER BUTTON	1		111	XQN2+B4FZ	SCREW	11	
21	VGU9205	S/S BUTTON	1		112	VHD1546	SCREW	1	
22	VGU9201	POWER LOCK BUTTON	1		113	XQN2+BJ5FZ	SCREW	4	
23	VGO6998	S/S BUTTON HOLDER	1		114	XQN2+C6FZ	SCREW	1	
24	VGO6884	S/S HOLDER PIECE	1		115	VHD1100	SCREW	3	
25	VMP7337	LOCK LEVER HOLDER ANGLE	1		116	XQN2+B4FN	SCREW	16	
26	VMS7211	PIN	2		117	VHD1538	SCREW	1	
27	VMP7339	CASSETTE LOCK LEVER	1		118	VHD0866	SCREW	2	
28	VMS7203	EJECT LOCK PIN	2		119	XYN2+C6	SCREW	1	
29	VMB3680	EJECT LOCK BUTTON SPRING	1						
30	VGH4613	GRIP COVER WINDOW	1						
31	VGP5804	CASSETTE COVER	1						
32	VGF0952	SHIELD PLATE	1		E1	VEP03G21A	VTR C.B.A.	1	
33	VMP7338	CASSETTE COVER FIX ANGLE	1		E1-1	VEP001A4A	VTR SUB C.B.A.	1	
34	VMP6741	BELT HOLDER ANGLE	1		E17	VEP000Y3A	VC C0NNECT C.B.A.	1	
35	VFB0215	GRIP BELT	1		E19	VEP000Y6A	R JACK CONNECT C.B.A.	1	
36	VMP7325	GRIP BELT ANGLE (FRONT)	1		E20	VEP000Y7A	EJECT C.B.A.	1	
37	VMP7501	HOLDER ANGLE	1		E21	VEP04819A	REAR JACK C.B.A.	1	
38	VMC1092	CASSETTE DOWN SPRING	1		E22	VEP06E96A	POWER SW C.B.A.	1	
39	VMC1835	LINK DUMPER SPRING	1		E23	VEP06E90A	ZOOM SW C.B.A.	1	
40	VMA9219	OPEN ANGLE (A)	1		E24	VEP000Y9A	TOP OP C.B.A.	1	
41	VMS5748	LINK PIN (B)	1						
42	VMA9220	OPEN LINK (B)	1						
43	VMA0P91	LINK ANGLE	1						
44	VMX2397	ARM STAND ROLLER	1						
45	VMS7293	ARM STAND PIN	1						
46	VMS5747	RINK PIN (A)	1						
47	VDP1653	ROTATION ROLLER	1						
48	VGP5798	TOP PANEL	1						
49	VGU9195	REC BUTTON	1						
50	VGU9210	REC/DUB BUTTON	2						
51	VGU9249	AUDIO MONITOR BUTTON (-)	1						
52	VGU9196	AUDIO MONITOR BUTTON (+)	1						
53	VMG1478	TOP SW BUTTON RUBBER	1						
54	VMP7432	TOP SUPPORT ANGLE	1						
55	VGO6919	CAP COVER	1						
56	VGO6920	LENS COVER KNOB	1						
57	VGO6883	LENS CAP	1						
58	VMG1463	DUSTPROOF RUBBER	3						
59	VMP7336	MECHA HOLDER ANGLE	1						
60	VMZ3295	MECHA BARRIER	1						
61	VGO6885	BOTTOM COVER	1						
62	VKA0340	GLIP DUSTPROOF RUBBER	1						
63	VGU9255	HOOD FIX PIECE	1						
64	VGO6882	LENS HOOD	1						
65	VMP7605	LENS HOOD WINDOW	1						
66	VGO7077	MECHA DUSTPROOF COVER	1						
67	VMT1348	CASSETTE COVER GASKET (U)	1						
68	VXP2212	FOCUS RING ASSY	1						
69	VDW0855	FIX RING ASSY	1						
70	VJF1472	FLEX. HOLDER	1						
71	VXW0563	CAMERA LENS ASS'Y	1						
72	VGO7078	RUBBER CAP	1						
73	VEE0T92	INT MIC	1						
74	VDW0854	ZOOM RING	1						

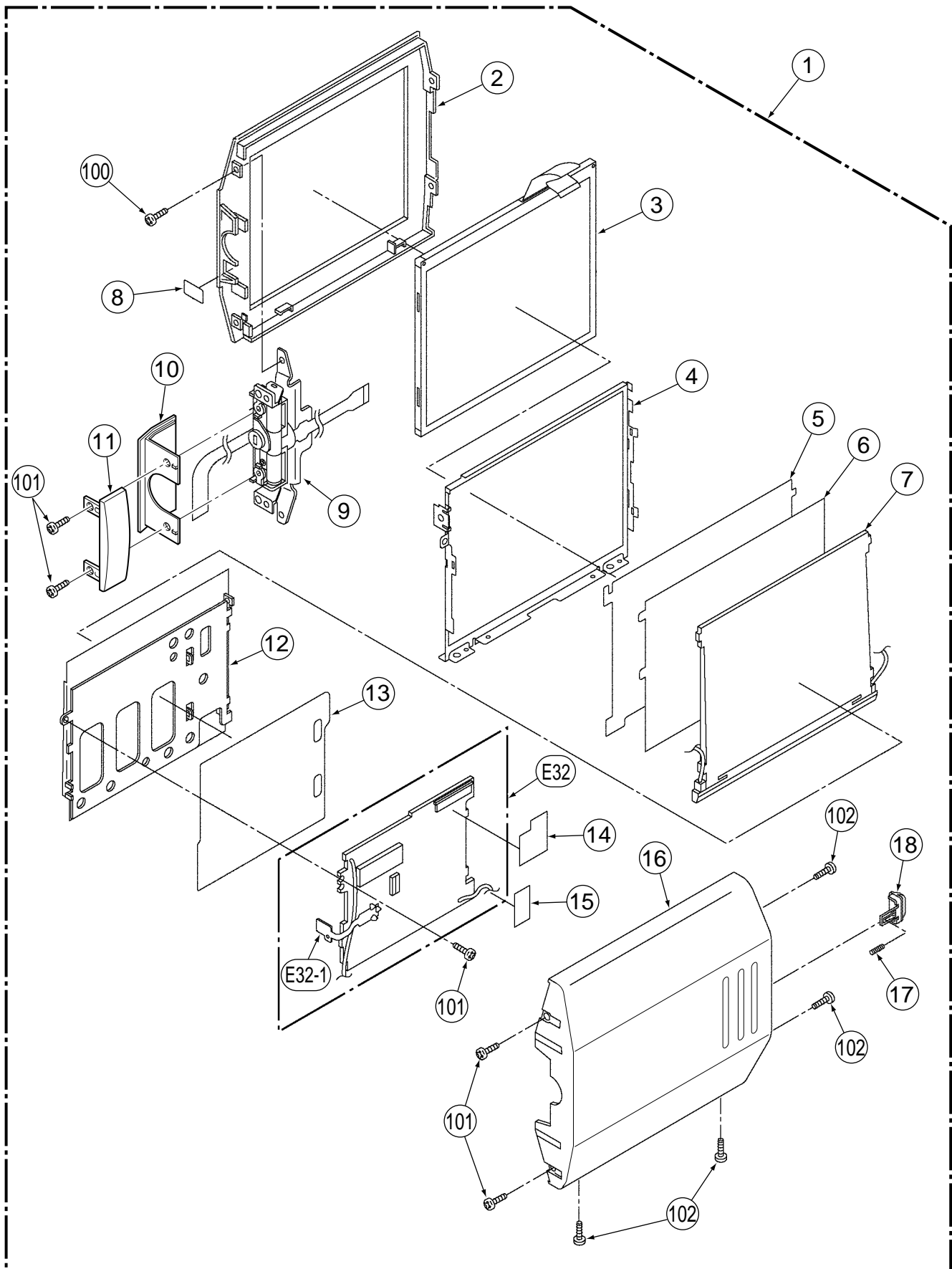
# HANDLE & EVF PARTS ASSEMBLY



# HANDLE & EVF PARTS ASSEMBLY


Ref.No.	Part No.	Part Name & Description	Pcs	Remarks	Ref.No.	Part No.	Part Name & Description	Pcs	Remarks
1	VMP7328	HANDLE SLIDE ANGLE	1		E12	VEP06E95A	HANDLE 1 C.B.A.	1	
2	VGU9214	SLIDE KNOB	1		E13	VEP06F04A	HANDLE 2 C.B.A.	1	
3	VMG1460	SLIDE SW RUBBER COVER	1		E14	VEP04828A	MIC C.B.A.	1	
4	VKH0410	HANDLE	1		E15	VEP06E94A	F TALLY C.B.A.	1	
5	VGQ6888	HANDLE FRONT COVER	1						
6	VJF1421	SHU	1						
7	VMC1697	SPRING	1						
8	VKW3080	REAR TALLY COVER	1						
9	VGL1011	TALLY LIGHT	1						
10	VMG1479	HANDLE S/S BUTTON RUBBER	1						
11	VGU9207	HANDLE S/S BUTTON	1						
12	VGQ6872	MIC CASE	1						
13	VKW3079	FRONT TALLY COVER	1						
14	VKW3081	FRONT TALLY LIGHT	1						
15	VKN0168	MIC NET (SIDE)	1						
16	VGQ6876	FRONT PUNCHING PANEL 1	1						
17	VGQ6921	FRONT PUNCHING PANEL 2	1						
18	VGQ6877	FRONT PUNCHING PANEL	1						
19	VKN0167	MIC NET (FRONT)	2						
20	VGQ6352	DUMPER HOLDER PIECE	1						
21	VGQ6891	MIC P.C.B. HOLDER	1						
22	VGQ6878	MIC RUBBER FIX PIECE	1						
23	VMG1459	MIC RUBBER HOLDER	1						
24	VMP7329	MIC HOLDER ANGLE	1						
25	VGQ6873	HANDLE COVER	1						
26	VGQ6887	MIC CASE (LOWER)	1						
27	VDK0173	HELICOID	1						
28	VGQ6879	DIOPTER GEAR	1						
29	VGQ6890	EVF FILTER HOLDER	1						
30	VWJ1586	EVF FPC	1						
31	VMX2967	PB SPACER	1						
32	L5BDDXE00001	ACTIVE MATRIX LCD PANEL	1						
33	VGQ7088	LCD MASK	1						
34	VGQ6926	LCD CASE	1						
35	VMC1612	EVF EARTH SPRING	1						
36	VMP7360	EVF COVER ANGLE	1						
37	VMC1808	EVF EARTH SPRING	1						
38	VGQ6927	EVF COVER	1						
39	VP5799	EVF CASE	1						
40	VGQ3855	DIOPTER ADJUST BRACKET	1						
41	VGU6944	EYE SIGHT ADJ. DIAL	1						
42	VMG1286	CUSHION RUBBER	2						
43	VXW0567	EVF LENS ASS'Y	1						
44	VDL1348	EVF FILTER	1						
45	VGQ6889	EVF EYE CAP HOLDER	1						
46	VEQ3317	EVF ASS'Y	1						
47	VYH0300	HANDLE ASS'Y	1						
48	VGQ7120	FILTER	1						
49	VGQ6892	EVF HINGE COVER	1						
50	VGQ0957	MIC SHADING SHEET	1						
51	VMZ3344	INSULATION PLATE	1						
52	VMZ3361	SHEET	1						
53	VMX3293	SHEET	1						
54	VMS7303	EYE SIGHT KNOB SHAFT	1						
100	XQN2+C4	SCREW	6						
101	XQN2+B4FZ	SCREW	9						
102	XSN2+4FC	SCREW	1						
103	XSS2+4FZ	SCREW	4						
104	XQN2+BJ3FZ	SCREW	1						
105	XYN2+J4	SCREW	1						
106	XQN2+BJ4	SCREW	4						
107	XWG2	WASHER	2						
108	XQN2+BJ5FZ	SCREW	5						
109	XQN2+BJ4FZ	SCREW	12						
110	XQN16+C25FZ	SCREW	5						
111	XQN2+CJ6FZ	SCREW	3						
E9	VEP28272B	EVF A C.B.A.	1						
E10	VEP28275B	EVF B C.B.A.	1						

# LCD PARTS ASSEMBLY





# PACKING PARTS ASSEMBLY

Components identified with the mark  have the special characteristics for safety. When replacing any of these components, use only the same type.

