

# SECTION 8

---

---

## Panasonic Broadcast AG-DVX100A Mechanical Parts List

---

---

Note:

1. \*Be sure to make your orders of replacement parts according to this list.
2. Unless otherwise specified, all resistors are in OHMS, K=1,000 OHMS, all capacitors are in MICROFARADS ( $\mu$ F), P= $\mu$  $\mu$ F.
3. The P.C. Board unit marked with "■" shown below the main assembled parts.
4. The parts marked with ⊕ on the exploded view show the electric parts.
5. IMPORTANT SAFETY NOTICE  
Components identified with the mark  $\Delta$  have the special characteristics for safety. When replacing any of these components, use only the same type.
6. The marking (RTL) indicates the retention time is limited for this item.  
After the discontinuation of this assembly in production, it will no longer be available.
7. "(M)" in Remark column indicates needed in the periodical maintenance.

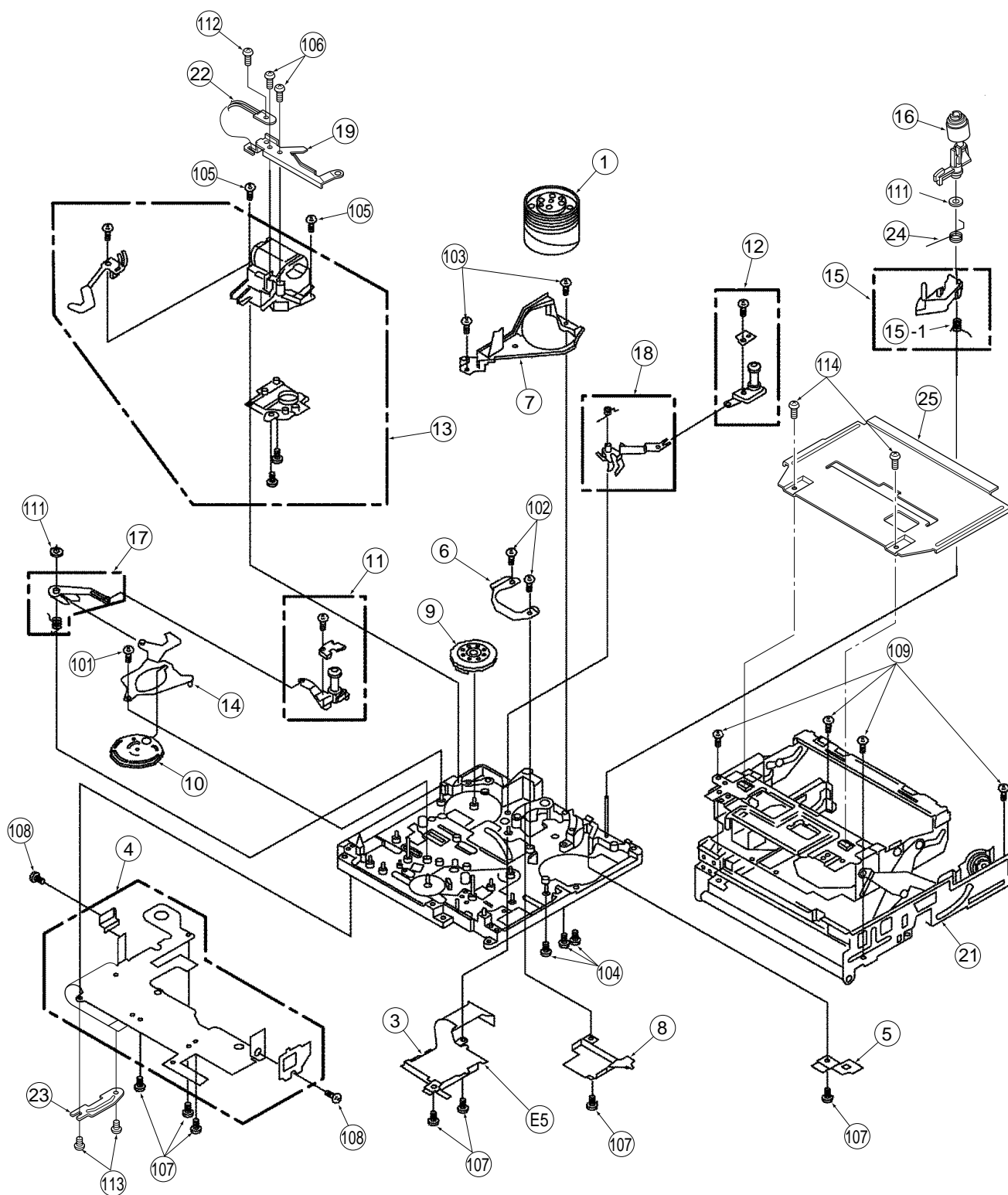
### CONTENTS

SERVICING FIXTURES & TOOLS.....	PRT-1
MECHANICAL CHASSIS ASSEMBLY (1).....	PRT-2
MECHANICAL CHASSIS ASSEMBLY (2).....	PRT-4
FRAME & CASING PARTS ASSEMBLY (1).....	PRT-6
FRAME & CASING PARTS ASSEMBLY (2).....	PRT-8
HANDLE & EVF PARTS ASSEMBLY.....	PRT-10
LCD PARTS ASSEMBLY.....	PRT-12
PACKING PARTS ASSEMBLY.....	PRT-14
ELECTRICAL REPLACEMENT PARTS LIST (AG-DVX100AP/AN).....	PRT-16

AG-DVX100AP/AN				AG-DVX100AE/EN, DVC180AMC			
Ref. No.	Parts No.	C.B.A.	Page	Ref. No.	Parts No.	C.B.A.	Page
E1	VEP03G55A	VTR	PRT-16	E1	VEP03G55B	VTR	PRT-33
E2	VEP23597A	CAMERA	PRT-21	E2	VEP23597B	CAMERA	PRT-38
E3	VEP01914B	POWER	PRT-24	E3	VEP01914B	POWER	PRT-41
E4	VEP01922A	POWER 2	PRT-26	E4	VEP01922A	POWER 2	PRT-43
E5	VEP05395A	H/F AMP	PRT-26	E5	VEP05395A	H/F AMP	PRT-43
E6	VEP04817A	R SIDE	PRT-27	E6	VEP04817B	R SIDE	PRT-44
E7	VEP06E92A	CAMERA OP1	PRT-27	E7	VEP06E92A	CAMERA OP1	PRT-44
E8	VEP06E93A	CAMERA OP2	PRT-27	E8	VEP06E93A	CAMERA OP2	PRT-44
E9	VEP28272B	EVF A	PRT-27	E9	VEP28272B	EVF A	PRT-44
E10	VEP28275B	EVF B	PRT-27	E10	VEP28275B	EVF B	PRT-44
E11	VEP001E7A	MENU	PRT-27	E11	VEP001E7A	MENU	PRT-44
E12	VEP06F70A	HANDLE 1	PRT-27	E12	VEP06F70A	HANDLE 1	PRT-44
E13	VEP06F04A	HANDLE 2	PRT-28	E13	VEP06F04A	HANDLE 2	PRT-45
E14	VEP04828A	MIC	PRT-28	E14	VEP04828A	MIC	PRT-45
E15	VEP06E94A	F TALLY	PRT-28	E15	VEP06E94A	F TALLY	PRT-45
E16	VEP000Y2A	EVR CONNECT	PRT-28	E16	VEP000Y2A	EVR CONNECT	PRT-45
E17	VEP000Y3B	VC CONNECT	PRT-29	E17	VEP000Y3B	VC CONNECT	PRT-46
E18	VEP000Y4A	LCD OPEN SW	PRT-29	E18	VEP000Y4A	LCD OPEN SW	PRT-46
E19	VEP000Y6A	REAR JACK CONNECT	PRT-29	E19	VEP000Y6A	REAR JACK CONNECT	PRT-46
E20	VEP000Y7A	EJECT	PRT-29	E20	VEP000Y7A	EJECT	PRT-46
E21	VEP04819A	REAR JACK	PRT-29	E21	VEP04819A	REAR JACK	PRT-46
E22	VEP06E96A	POWER SW	PRT-29	E22	VEP06E96A	POWER SW	PRT-46
E23	VEP06E90A	ZOOM SW	PRT-29	E23	VEP06E90A	ZOOM SW	PRT-46
E24	VEP000Y9A	TOP OP	PRT-29	E24	VEP000Y9A	TOP OP	PRT-46
E25	VEP22351A	GYRO	PRT-29	E25	VEP22351A	GYRO	PRT-46
E26	VEP04858A	SIDE JACK	PRT-30	E26	VEP04858A	SIDE JACK	PRT-47
E27	VEP04815A	EXT MIC CH2	PRT-30	E27	VEP04815A	EXT MIC CH2	PRT-47
E28	VEP04865A	EXT MIC CH1	PRT-30	E28	VEP04865A	EXT MIC CH1	PRT-47
E29	VEP06E89B	MODE SW	PRT-31	E29	VEP06E89B	MODE SW	PRT-48
E30	VEP01923A	DC IN	PRT-31	E30	VEP01923A	DC IN	PRT-48
E31	VEP01915B	BATTERY	PRT-31	E31	VEP01915B	BATTERY	PRT-48
E32	VEP26257A	MONITOR	PRT-31	E32	VEP26257A	MONITOR	PRT-48

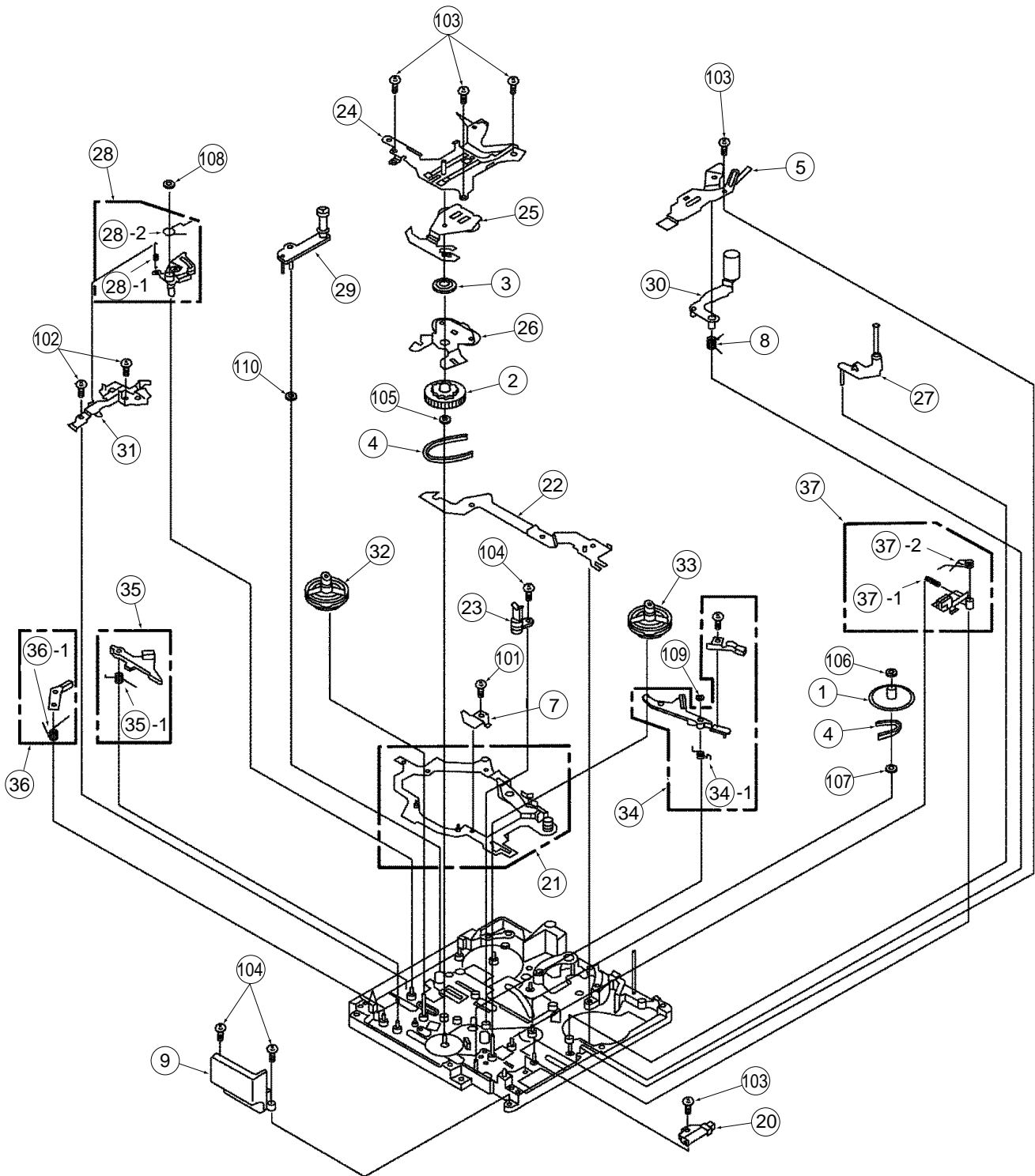


# MECHANICAL CHASSIS ASSEMBLY (1)






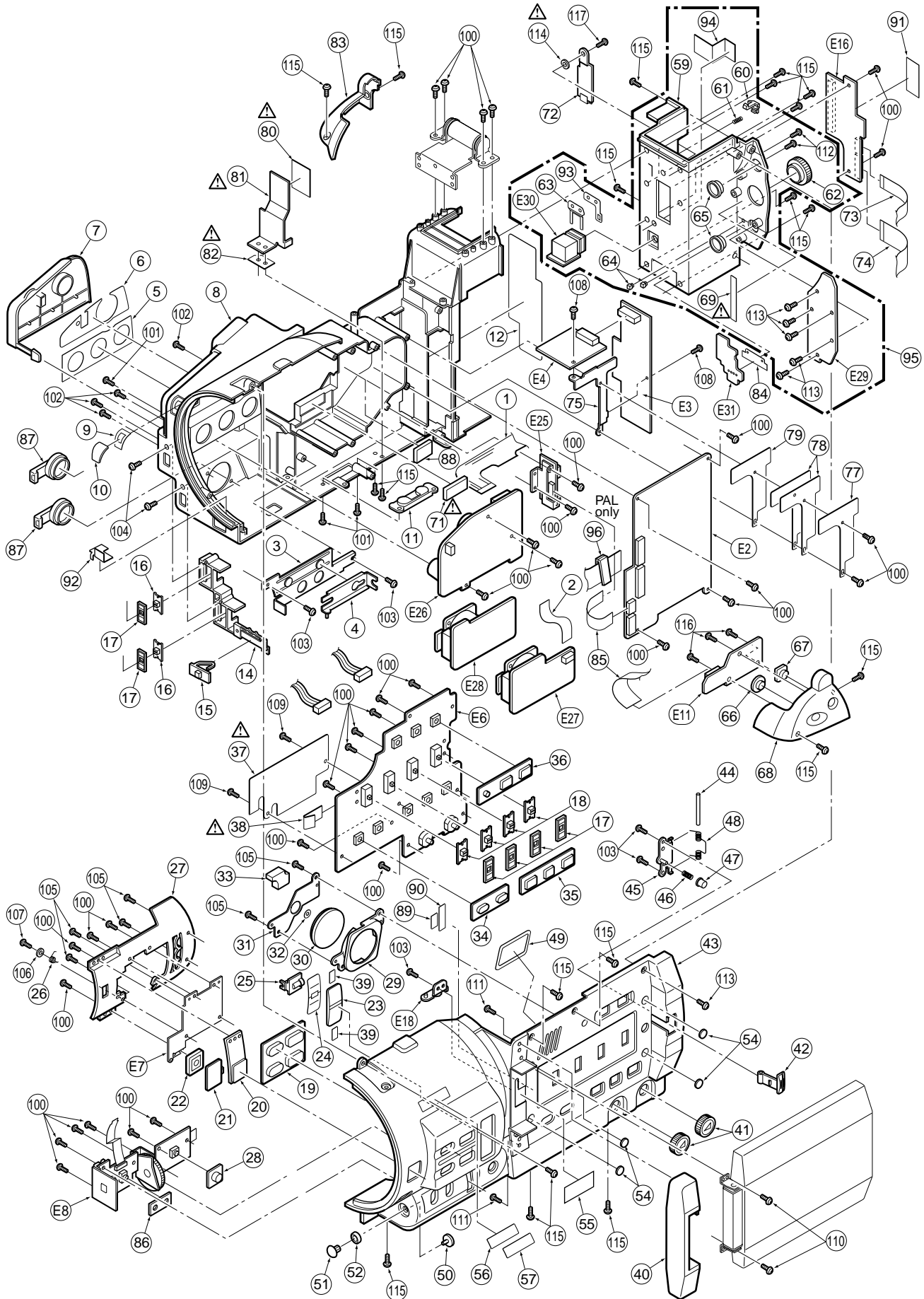
# MECHANICAL CHASSIS ASSEMBLY (2)





# FRAME & CASING PARTS ASSEMBLY (1)

Components identified with the mark  have the special characteristics for safety. When replacing any of these components, use only the same type.



PRT-6




# FRAME & CASING PARTS ASSEMBLY (1)

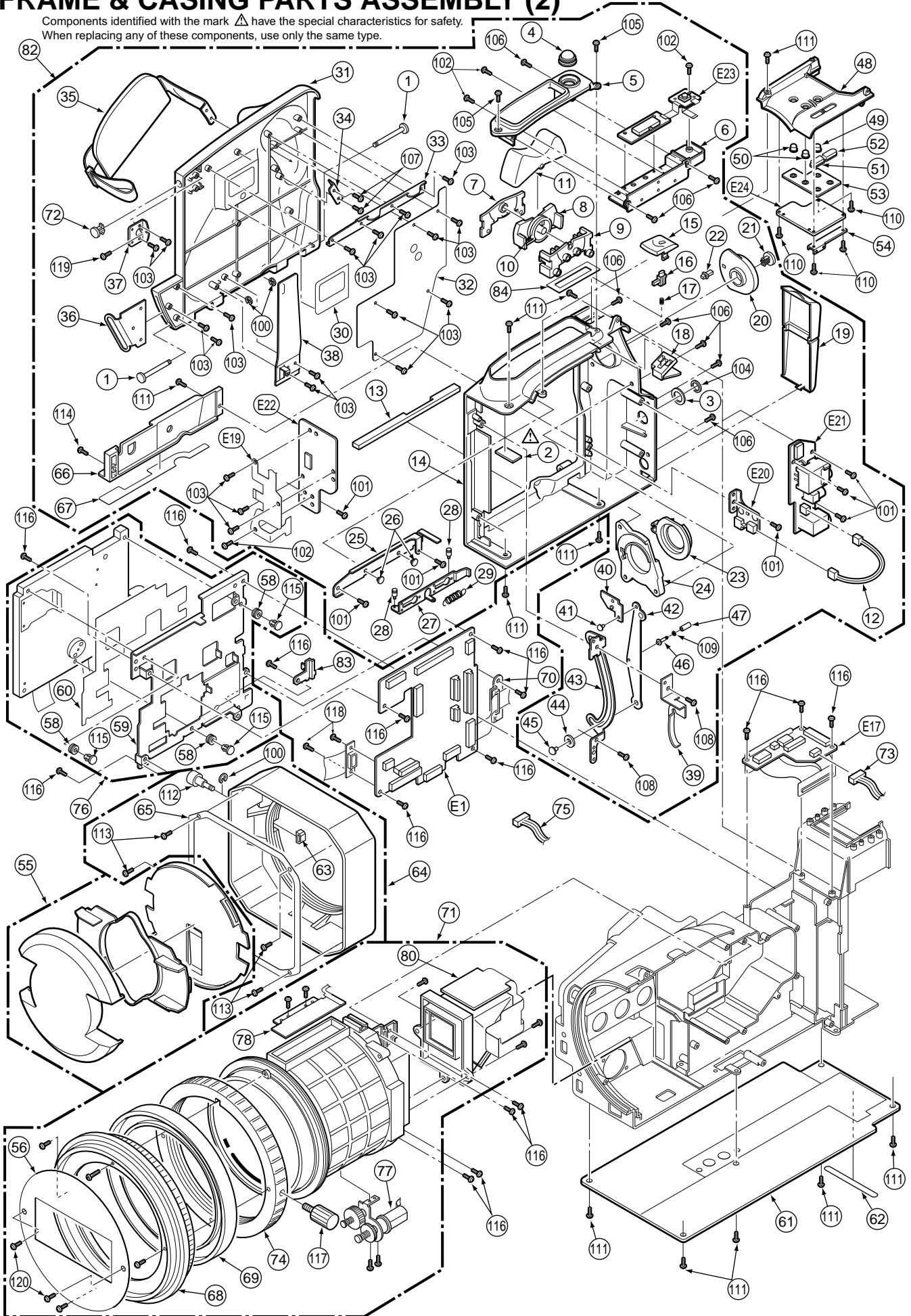
Components identified with the mark  $\Delta$  have the special characteristics for safety. When replacing any of these components, use only the same type.

Ref.No.	Part No.	Part Name & Description	Pcs	Remarks
1	VMJ1583	SIDE JACK FLEX.	1	
2	VMJ10E5050L0	FLAT CABLE	1	
3	VML3710	CLUTCH SLIDE PLATE	1	
4	VMP7341	CLUTH ANGLE	1	
5	VGH4612	JACK NAME PLATE B	1	
6	VGH4615	JACK NAME PLATE A	1	
7	VJF1470	SIDE JACK CAP	1	
8	VKM5983	CENTER FRAME	1	
9	VMZ3318	AWB COVER HOLDER SHEET	1	
10	VKW3078	AWB WINDOW	1	
11	VMD3345	TRIPOD FRAME	1	
12	VMZ3323	EVR INSULATION SHEET	1	
14	VGQ6902	MIC SWITCHING KNOB HOLDER	1	
15	VGU9246	ZOOM CLUTCH KNOB	1	
16	VGU9194	MIC SWITCHING KNOB	2	
17	VMG1460	SLIDE SW RUBBER COVER	6	
18	VGU9214	SLIDE KNOB	4	
19	VGU9200	CAMERA OP BUTTON	1	
20	VGQ6896	FOCUS KNOB HOLDER	1	
21	VGU9213	FOCUS SLIDE KNOB	1	
22	VGU9211	FOCUS BUTTON	1	
23	VGQ6894	ND SWITCHING PIECE	1	
24	VGQ6906	HOLDER BLIND SHEET	1	
25	VGU9222	ND SWITCHING KNOB	1	
26	VMB3681	FOCUS KNOB SPRING	1	
27	VGQ6905	ND FILTER HOLDER	1	
28	VGU9228	IRIS BUTTON	1	
29	VGQ6897	SPEAKER HOLDER	1	
30	VEK9842	SPEAKER ASS'Y	1	
31	VMP7330	SPEAKER HOLDER ANGLE	1	
32	VMT1347	SPEAKER HOLDER CUSHION	1	
33	VMT1367	P.C.B. HOLDER CUSHION	1	
34	VGU9250	RUBBER BUTTON 2	1	
35	VGU9251	RUBBER BUTTON 3	1	
36	VGU9202	RUBBER BUTTON 1	1	
$\Delta$ 37	VSC5460	SIDE (R) SHIELD PLATE	1	
$\Delta$ 38	VMZ3317	P.C.B. PROTECT SHEET	1	
39	VGQ7175	ND KNOB SHEET	2	
40	VGQ7637	HINGE COVER	1	
41	VGU9212	AUDIO ROTATING KNOG	2	
42	VGU9197	MONITOR LOCK KNOB	1	
43	VGP5997	SIDE CASE (R)	1	
44	VMS7187	LCD LOCK SHAFT	1	
45	VMP7331	OPENER HOLDER ANGLE	1	
46	VMB3661	POP UP SPRING	1	
47	VGQ6901	MONITOR KNOB	1	
48	VMB3659	MONITOR OPENER SPRING	1	
49	VKN0169	SPEAKER NET	1	
50	VGU9223	W.BAL KNOB (LOWER)	1	
51	VGU9217	W.BAL KNOB (UPPPER)	1	
52	VMG1418	RAIN COVER RUBBER (B)	1	
54	VMG1286	CUSHION RUBBER	4	
55	VMZ3316	MONITOR FPC PROTECT SHEET	1	
56	VGQ4088	3CCD BADGE TAPE	1	
57	VGB0322	3CCD BADGE	1	
59	VGP6006	BACK PANEL	1	
60	VGU8582	BATTERY LOCK BUTTON	1	
61	VMB3210	BATTERY LOCK SPRING	1	
62	VGU9218	MODE SELECT KNOB	1	
63	VMP7340	DCIN ANGLE	1	
64	VGL1012	MODE PANEL LIGHT	2	
65	VGU9219	CAMERA/VCR BUTTON	2	
66	VGU9209	JOY STICK BUTTON	1	
67	VGU9199	MENU BUTTON	1	
68	VGQ6924	VF CASE (R)	1	AG-DVX100AP/AN
68	VGQ7347	VF CASE (R)	1	AG-DVX100AE/EN/DVCI180AMC
$\Delta$ 69	VMZ3315	BATTERY BLIND SHEET	1	
$\Delta$ 71	VMG1516	CCD HEAT SINK SHEET	1	
72	VGQ6886	EVR COVER	1	
73	VMJ13E5085L0	FLEX. CABLE	1	
74	VMJ1585	R SIDE FPC	1	
75	VMP7357	P.C.B HOLDER ANGLE	1	
77	VMZ3340	SHIELD INSULATION PLATE 1	1	
78	VSC5478	CAMERA P.C.B. SHIELD	2	

Ref.No.	Part No.	Part Name & Description	Pcs	Remarks
79	VMZ3341	SHIELD INSULATION PLATE 2	1	
$\Delta$ 80	VMG1514	POWER HEAT SINK SHEET 1	1	
$\Delta$ 81	VSC5471	POWER HEAT SINK SHEET	1	
$\Delta$ 82	VMG1515	POWER HEAT SINK SHEET 2	1	
83	VGQ6923	VF CASE (L)	1	AG-DVX100AP/AN
83	VGQ7346	VF CASE (L)	1	AG-DVX100AE/EN/DVCI180AMC
84	K4ZZ04000026	BATTERY CATHETER	1	K4ZZ04000026
85	VMJ10E5050L0	FLAT CABLE	2	
86	VMG1520	TOGGLE SW CUSHION	1	
87	VJF1468	XLR CAP	2	
88	VMG1517	LENS HEAT SINK SHEET (2)	1	
89	VMZ3356	FPC PROTECT SHEET	1	
90	VMZ3357	FPC LOCK SHEET	1	
91	VMZ3345	LED INSULATION PLATE	1	
92	VMZ3376	JACK GUIDE SHEET	1	
93	VSC5519	EARTH PLATE	1	
94	VSC5525	EARTH SHEET	1	
95	VYK1A28	BACK CASE ASS'Y	1	AG-DVX100AP
95	VYK0Y43	BACK CASE ASS'Y	1	AG-DVX100AAN
95	VYK1A17	BACK CASE ASS'Y	1	AG-DVX100AE/EN
95	VYK1A18	BACK CASE ASS'Y	1	AG-DVCI180AMC
96	J0ZZ20000042	SHEET	1	AG-DVX100AE/EN/DVCI180AMC
100	XQN2+B4FN	SCREW	35	
101	XQN16+B4FZ	SCREW	3	
102	XYN26+A6FZ	SCREW	4	
103	XYN2+C4	SCREW	5	
104	XQN16+BJ4FZ	SCREW	2	
105	XQN2+C5	SCREW	6	
106	XWG2	WASHER	1	
107	XQN16+BJ3FZ	SCREW	1	
108	XQN2+B35FN	SCREW	2	
109	XYN2+F5	SCREW	2	
110	XYN2+C6	SCREW	2	
111	XQN2+BJ6	SCREW	2	
112	XQN2+B3FZ	SCREW	2	
113	XQN2+BJ4FZ	SCREW	6	
$\Delta$ 114	VMX3286	WASHER	1	
115	XQN2+B4FZ	SCREW	20	
116	XQN2+BJ4	SCREW	3	
117	XQN2+B6FZ	SCREW	1	
E2	VEP23597A	CAMERA C.B.A.	1	AG-DVX100AP/AN
E2	VEP23597B	CAMERA C.B.A.	1	AG-DVX100AE/EN/DVCI180AMC
E3	VEP01914B	POWER C.B.A.	1	
E4	VEP01922A	POWER 2 C.B.A.	1	
E6	VEP04817A	R SIDE C.B.A.	1	AG-DVX100AP/AN
E6	VEP04817B	R SIDE C.B.A.	1	AG-DVX100AE/EN/DVCI180AMC
E7	VEP06E92A	CAMERA OP1 C.B.A.	1	
E8	VEP06E93A	CAMERA OP2 C.B.A.	1	
E11	VEP001E7A	MENU C.B.A.	1	
E16	VEP000Y2A	EVR CONNECT C.B.A.	1	
E18	VEP000Y4A	LCD OPEN SW C.B.A.	1	
E25	VEP22351A	GYRO C.B.A.	1	
E26	VEP04858A	SIDE JACK C.B.A.	1	
E27	VEP04815A	EXT MIC CH2 C.B.A.	1	
E28	VEP04865A	EXT MIC CH1 C.B.A.	1	
E29	VEP06E89B	MODE SW C.B.A.	1	
E30	VEP01923A	DC IN C.B.A.	1	
E31	VEP01915B	BATTERY C.B.A.	1	

# FRAME & CASING PARTS ASSEMBLY (2)

Components identified with the mark  have the special characteristics for safety.  
When replacing any of these components, use only the same type.




# FRAME & CASING PARTS ASSEMBLY (2)

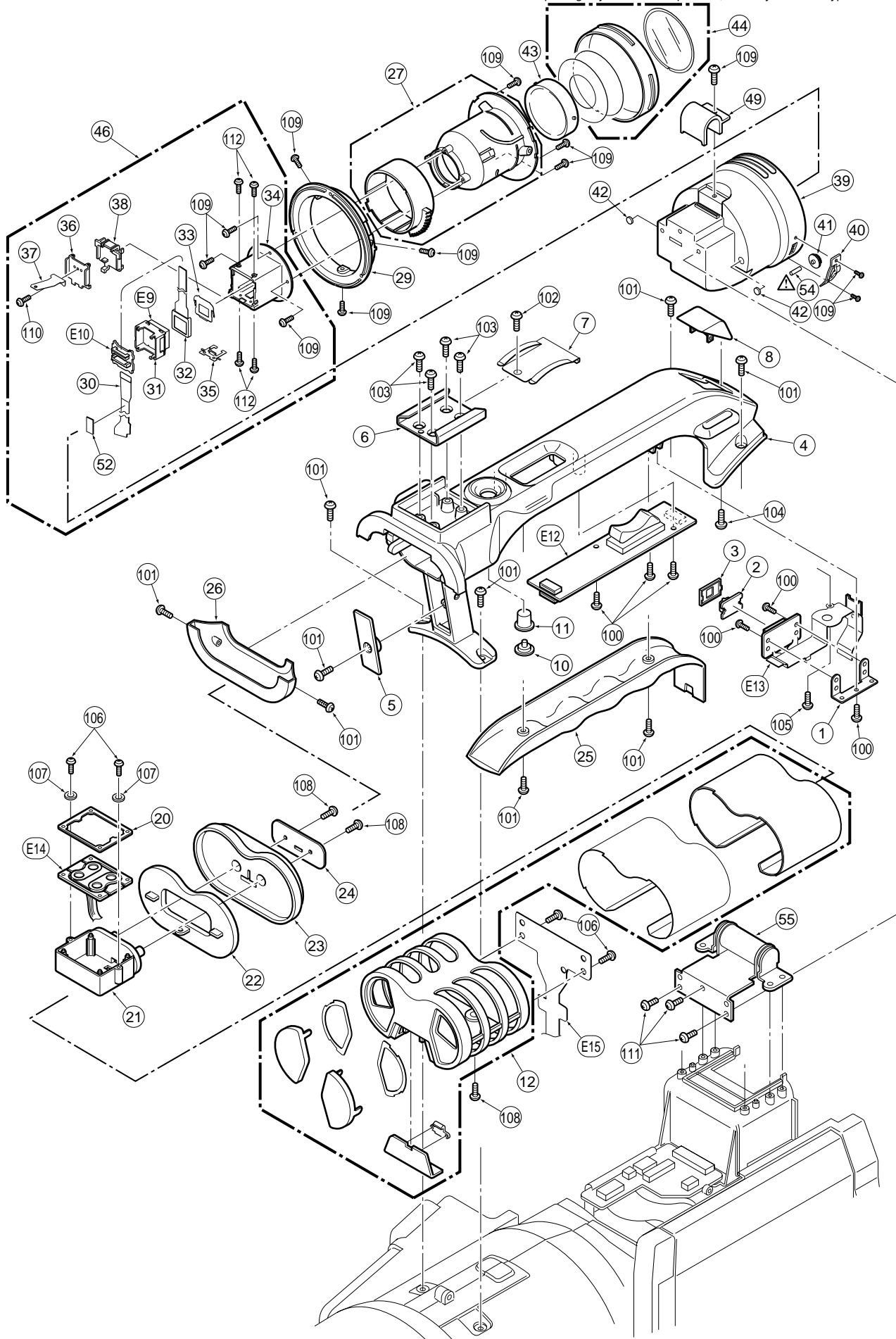
Components identified with the mark  $\Delta$  have the special characteristics for safety. When replacing any of these components, use only the same type.

Ref.No.	Part No.	Part Name & Description	Pcs	Remarks
1	VMS7186	ROTATING SHAFT	2	
$\Delta$ 2	VMZ3371	POWER INSULATION SHEET C	1	
3	VMX0531	CLATCH SPACER	1	
4	VGU9203	REC CHECK RUBBER BUTTON	1	
5	VGQ6903	ZOOM LEVER CASE (R)	1	
6	VGQ6904	ZOOM LEVER CASE (L)	1	
7	VGQ6996	ZOOM HOLDER (R)	1	
8	VGQ6997	ZOOM SPRING HOLDER PIECE	1	
9	VGQ6928	ZOOM SW HOLDER	1	
10	VMB3663	COIL SPRING ZOOM	1	
11	VGU9215	ZOOM LEVER	1	
12	VEE0U25	EJECT 1	1	
13	VMT1350	CASSETTE COVER GASKET	1	
14	VGPF5801	SIDE CASE (L)	1	
15	VGU9206	EJECT KNOB	1	
16	VGU9216	EJECT LOCK BUTTON	1	
17	VMB3662	EJECT LOCK BUTTON SPRING	1	
18	VGQ6899	EJECT KNOB FIX PIECE	1	
19	VJF1469	H.P CAP	1	
20	VGU9204	POWER BUTTON	1	
21	VGU9205	S/S BUTTON	1	
22	VGU9201	POWER LOCK BUTTON	1	
23	VGQ6998	S/S BUTTON HOLDER	1	
24	VGQ6884	S/S HOLDER PIECE	1	
25	VMP7337	LOCK LEVER HOLDER ANGLE	1	
26	VMS7211	PIN	2	
27	VMP7339	CASSETTE LOCK LEVER	1	
28	VMS7203	EJECT LOCK PIN	2	
29	VMB3680	EJECT LOCK BUTTON SPRING	1	
30	VGH4733	GRIP COVER WINDOW	1	AG-DVX100AP/AN
30	VGH4734	GLIP COVER WINDOW	1	AG-DVX100AE/EN/DVCI180AMC
31	VGPF5804	CASSETTE COVER	1	
32	VGPF0952	SHIELD PLATE	1	
33	VMP7338	CASSETTE COVER FIX ANGLE	1	
34	VMP6741	BELT HOLDER ANGLE	1	
35	VFB0215	GLIP BELT	1	
36	VMP7325	GLIP BELT ANGLE (FRONT)	1	
37	VMP7501	HOLDER ANGLE	1	
38	VMC1092	CASSETTE DOWN SPRING	1	
39	VMC1835	LINK DUMPER SPRING	1	
40	VMA9219	OPEN ANGLE (A)	1	
41	VMS5748	LINK PIN (B)	1	
42	VMA9220	OPEN LINK (B)	1	
43	VMA0F91	LINK ANGLE	1	
44	VMX2397	ARM STAND ROLLER	1	
45	VMS7293	ARM STAND PIN	1	
46	VMS5747	RINK PIN (A)	1	
47	VDP1653	ROTATION ROLLER	1	
48	VGPF5998	TOP PANEL	1	
49	VGU9195	REC BUTTON	1	
50	VGU9210	REC/DUB BUTTON	2	
51	VGU9249	AUDIO MONITOR BUTTON (-)	1	
52	VGU9196	AUDIO MONITOR BUTTON (+)	1	
53	VMG1478	TOP SW BUTTON RUBBER	1	
54	VMP7432	TOP SUPPORT ANGLE	1	
55	VYK0296	LENS CAP ASS'Y	1	
56	VGH4614	LENS NAME PLATE	1	
58	VMG1463	DUSTPROOF RUBBER	3	
59	VMP7336	MECHA HOLDER ANGLE	1	
60	VMZ3295	MECHA BARRIER	1	
61	VGQ6885	BOTTOM COVER	1	
62	VKA0340	GLIP DUSTPROOF RUBBER	1	
63	VGU9255	HOOD FIX PIECE	1	
64	VYF2861	LENS HOOD ASS'Y	1	
65	VMP7605	LENS HOOD WINDOW	1	
66	VGQ7077	MECHA DUSTPROOF COVER	1	
67	VMT1348	CASSETTE COVER GASKET (U)	1	
68	VXP2360	FOCUS RING ASS'Y	1	
69	VDW0855	FIX RING ASS'Y	1	
70	VJF1472	FLEX. HOLDER	1	
71	VXW0635	CAMERA LENS ASS'Y	1	AG-DVX100AP/AN
71	VXW0636	CAMERA LENS ASS'Y	1	AG-DVX100AE/EN/DVCI180AMC
72	VGQ7078	RUBBER CAP	1	
73	VEE0T92	INT MIC	1	

Ref.No.	Part No.	Part Name & Description	Pcs	Remarks
74	VXP2356	ZOOM RING	1	
75	VEE0T93	MIK IO	1	
76	VXY1738S	MECHA CHASSIS ASS'Y	1	(M)
77	L6DABBHC0001	ZOOM MOTOR ASS'Y	1	
78	EVAJGGUA3B14	ZOOM ENCODER	1	
80	VXQ1193	PRISM ASS'Y	1	
82	VYK1A07	GRIP COVER ASS'Y	1	AG-DVX100AP/AN
82	VYK1A08	GRIP COVER ASS'Y	1	AG-DVX100AE/EN/DVCI180AMC
83	VMP7739	ANGLE	1	
84	VMZ3406	SHEET	1	
100	XUC15FX	E-RING	3	
101	XQN2+B3FN	SCREW	7	
102	XQN16+BJ3FZ	SCREW	4	
103	XQN2+B74FZ	SCREW	19	
104	VHN0194	SPACER	1	
105	XQN16+B4FZ	SCREW	2	
106	XQN16+BJ4FZ	SCREW	8	
107	XTB26+6GFZ	SCREW	2	
108	XYN2+C6	SCREW	2	
109	VMX2535	WASHER	1	
110	XQN2+B35FN	SCREW	4	
111	XQN2+B4FZ	SCREW	11	
112	VHD1546	SCREW	1	
113	XQN2+BJ5FZ	SCREW	4	
114	XQN2+C6FZ	SCREW	1	
115	VHD1100	SCREW	3	
116	XQN2+B4FN	SCREW	16	
117	VHD1538	SCREW	1	
118	VHD0866	SCREW	2	
119	XYN2+C6	SCREW	1	
120	XQN14+CJ4Z	SCREW	2	
E1	VEP03G55A	VTR C.B.A.	1	AG-DVX100AP/AN
E1	VEP03G55B	VTR C.B.A.	1	AG-DVX100AE/EN/DVCI180AMC
E17	VEP000Y3B	VC CONNECT C.B.A.	1	
E19	VEP000Y6A	R JACK CONNECT C.B.A.	1	
E20	VEP000Y7A	EJECT C.B.A.	1	
E21	VEP04819A	REAR JACK C.B.A.	1	
E22	VEP06E96A	POWER SW C.B.A.	1	
E23	VEP06E90A	ZOOM SW C.B.A.	1	
E24	VEP000Y9A	TOP OP C.B.A.	1	

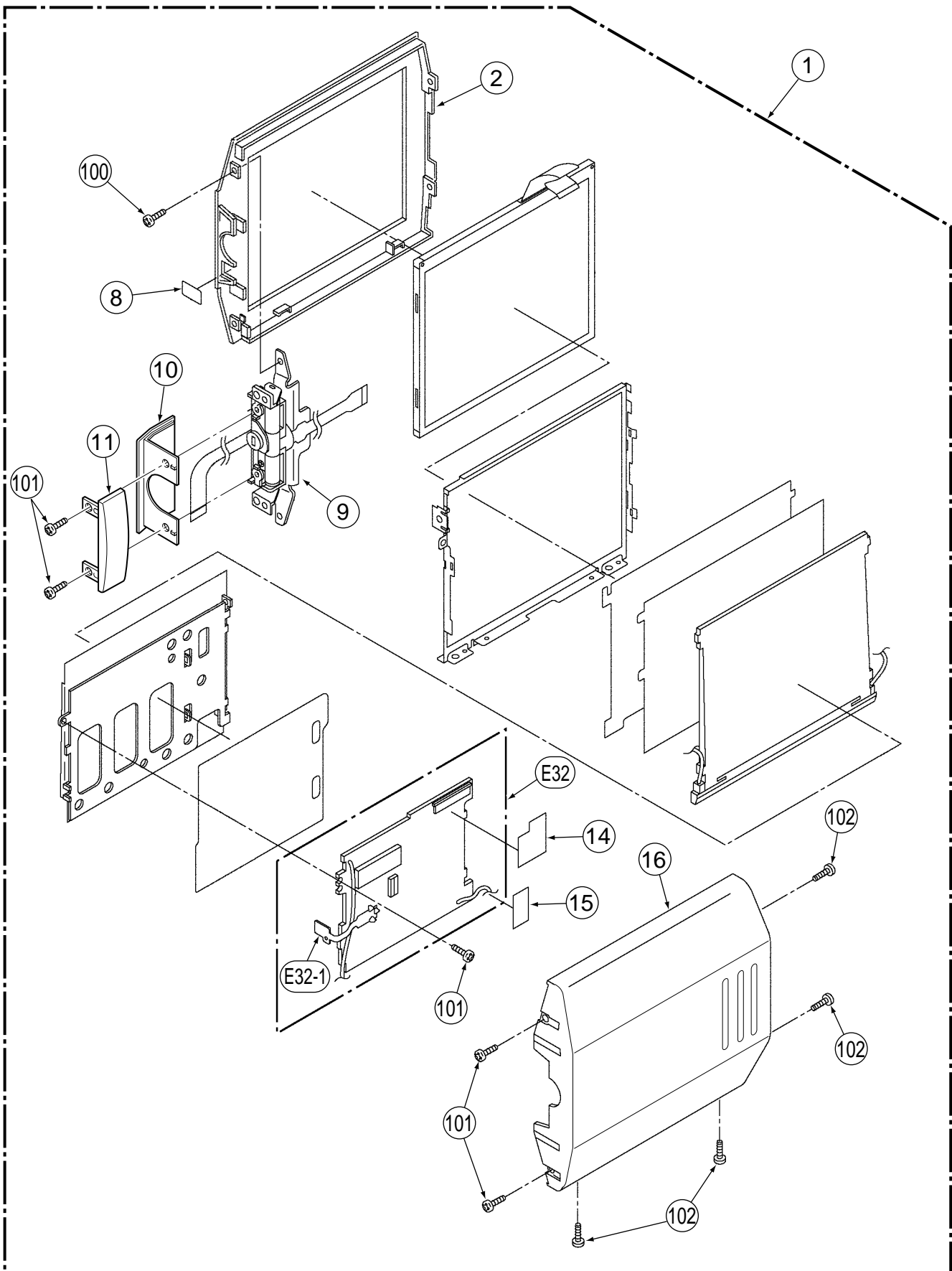
# HANDLE & EVF PARTS ASSEMBLY

Components identified with the mark  have the special characteristics for safety. When replacing any of these components, use only the same type.





# LCD PARTS ASSEMBLY





# PACKING PARTS ASSEMBLY

Components identified with the mark  $\triangle$  have the special characteristics for safety. When replacing any of these components, use only the same type.

