

SECTION 7

Panasonic Broadcast Mechanical Parts List

Model No. : **AG-HPX170P**


Note:

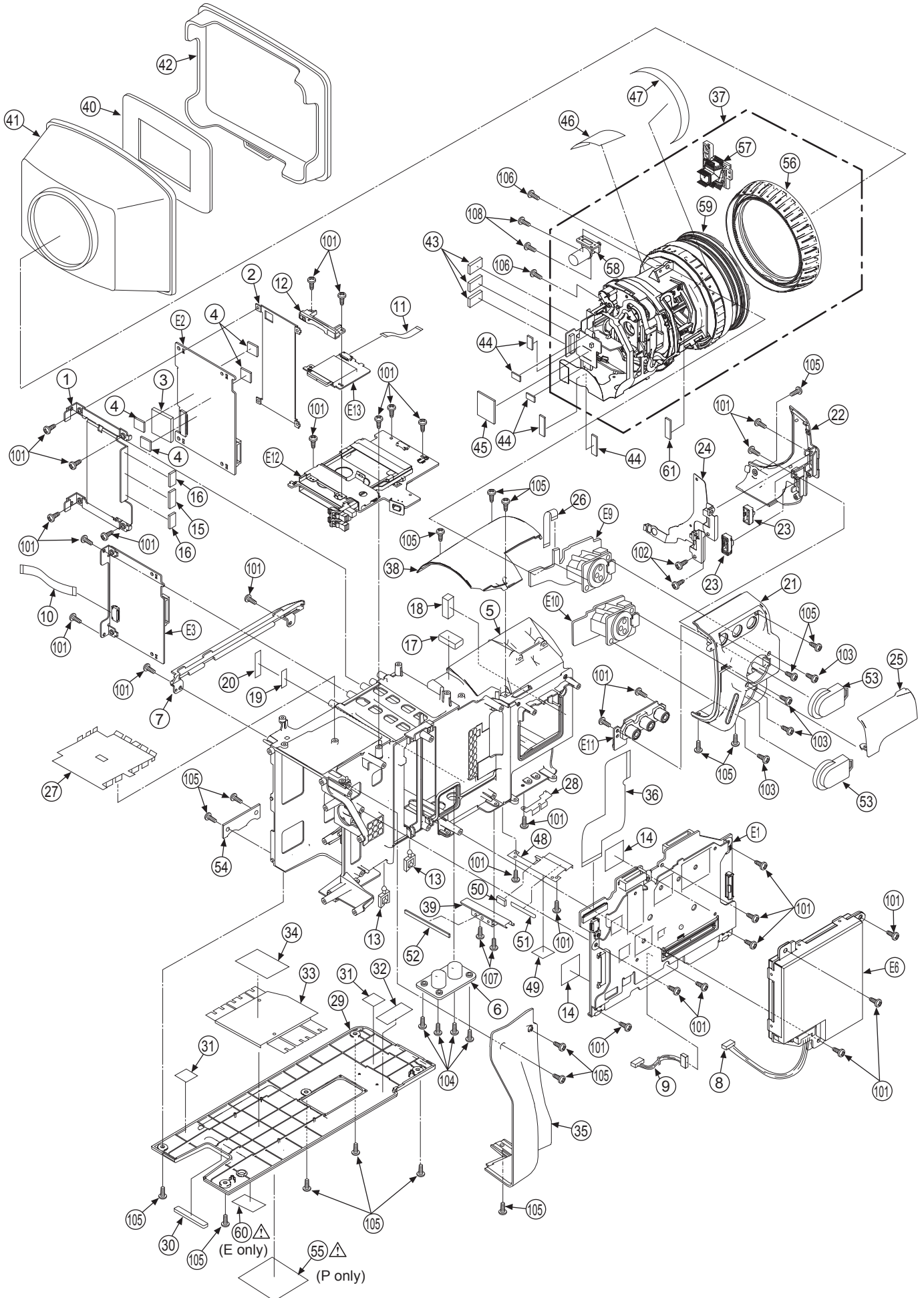
1. *Be sure to make your orders of replacement parts according to this list.
2. Unless otherwise specified, all resistors are in OHMS, K=1,000 OHMS, all capacitors are in MICROFARADS (μ F), P= μ μ F.
3. The P.C. Board unit marked with "■" shown below the main assembled parts.
4. The parts marked with ⊕ on the exploded view show the electric parts.
5. IMPORTANT SAFETY NOTICE
Components identified with the mark Δ have the special characteristics for safety. When replacing any of these components, use only the same type.
6. The marking (RTL) indicates the retention time is limited for this item.
After the discontinuation of this assembly in production, it will no longer be available.
7. "M" in Remark column indicates needed in the periodical maintenance.

CONTENTS


MAIN FRAME PARTS ASSEMBLY	MPL-1
EVF PARTS ASSEMBLY	MPL-3
SIDE CASE PARTS ASSEMBLY	MPL-5
REAR JACK & BACK CASE PARTS ASSEMBLY	MPL-7
GRIP CASE PARTS ASSEMBLY	MPL-9
LCD PARTS ASSEMBLY	MPL-11
PACKING PARTS ASSEMBLY	MPL-13

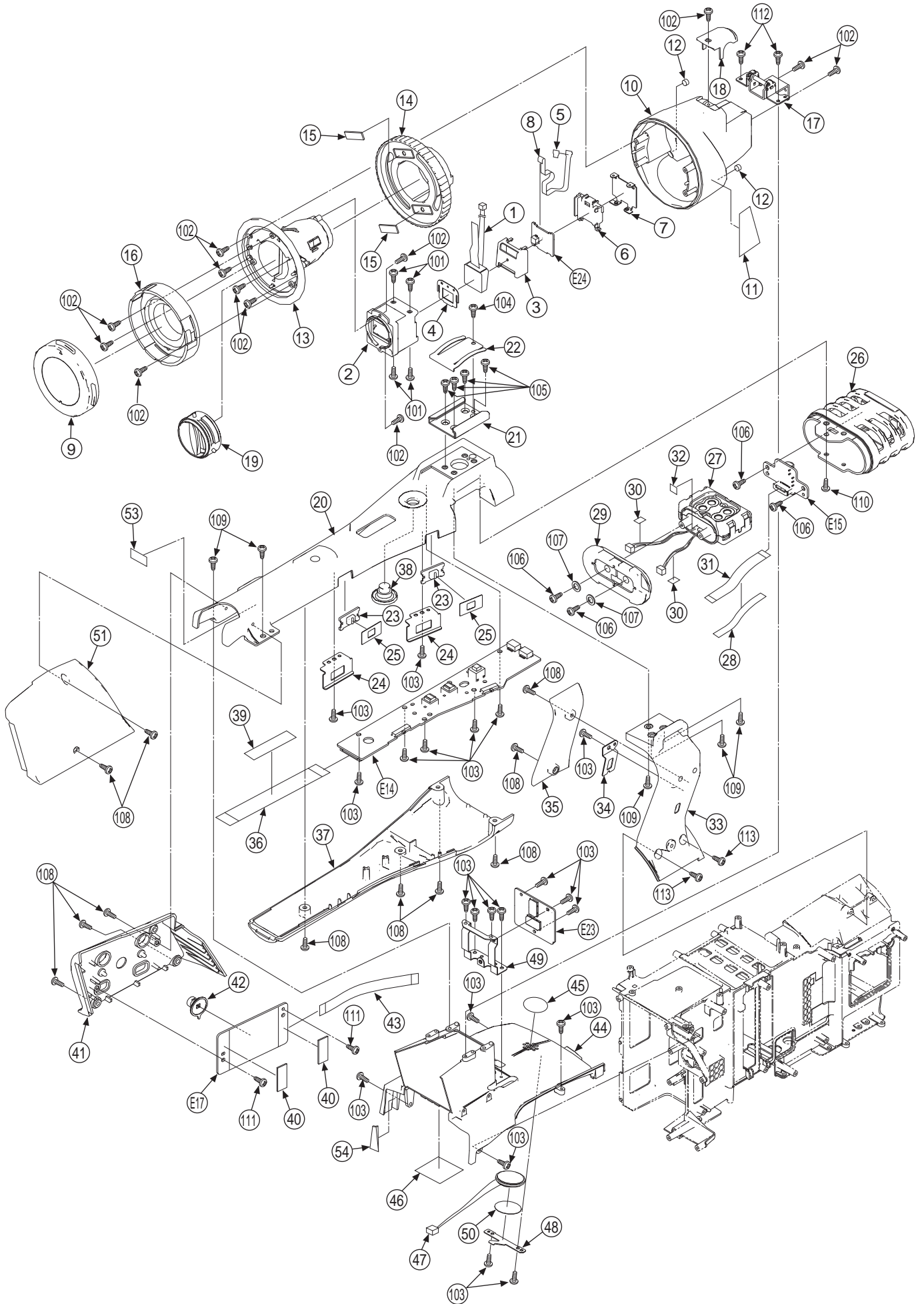
MAIN FRAME PARTS ASSEMBLY

Components identified with the mark  have the special characteristics for safety. When replacing any of these components, use only the same type.

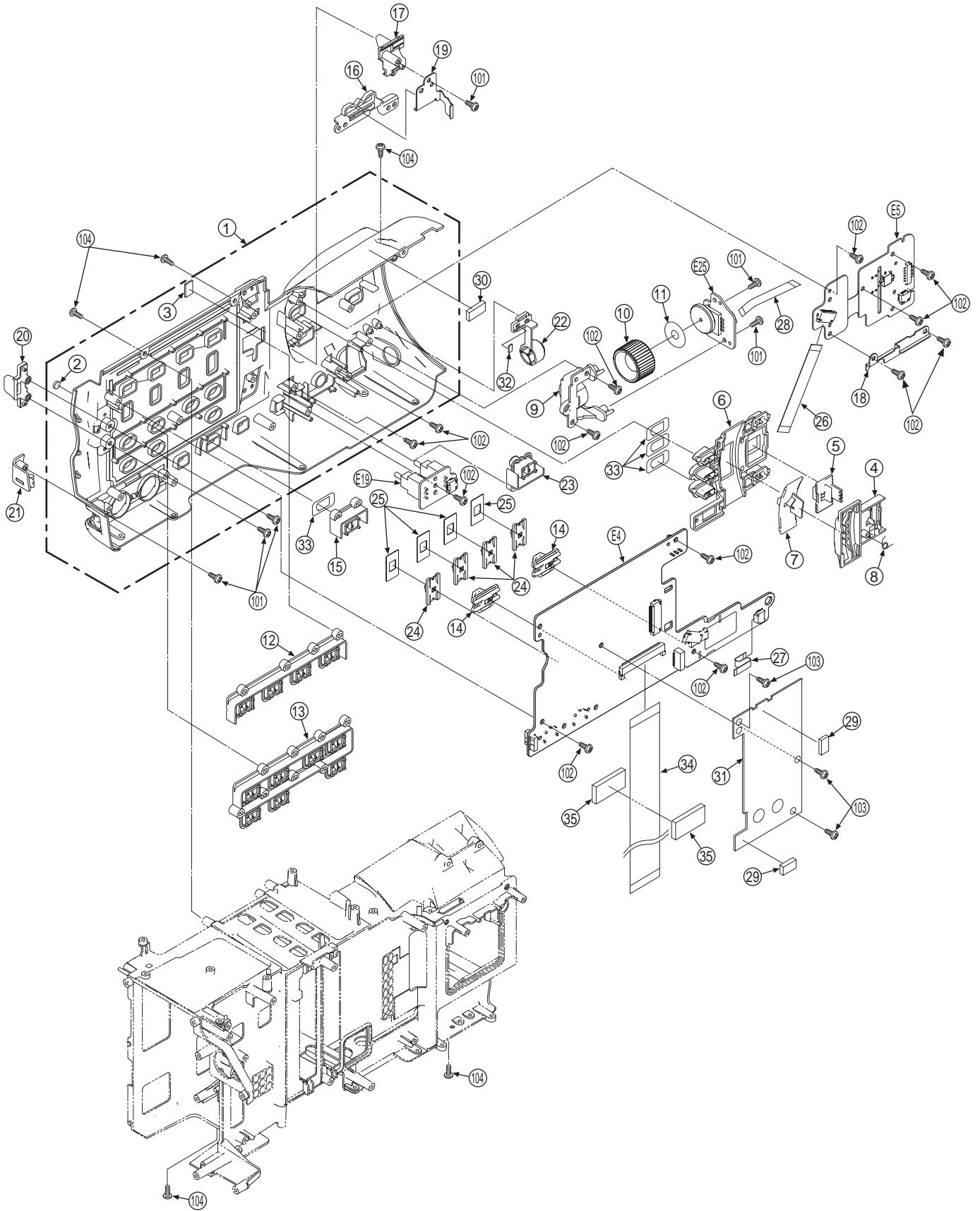


EVF PARTS ASSEMBLY

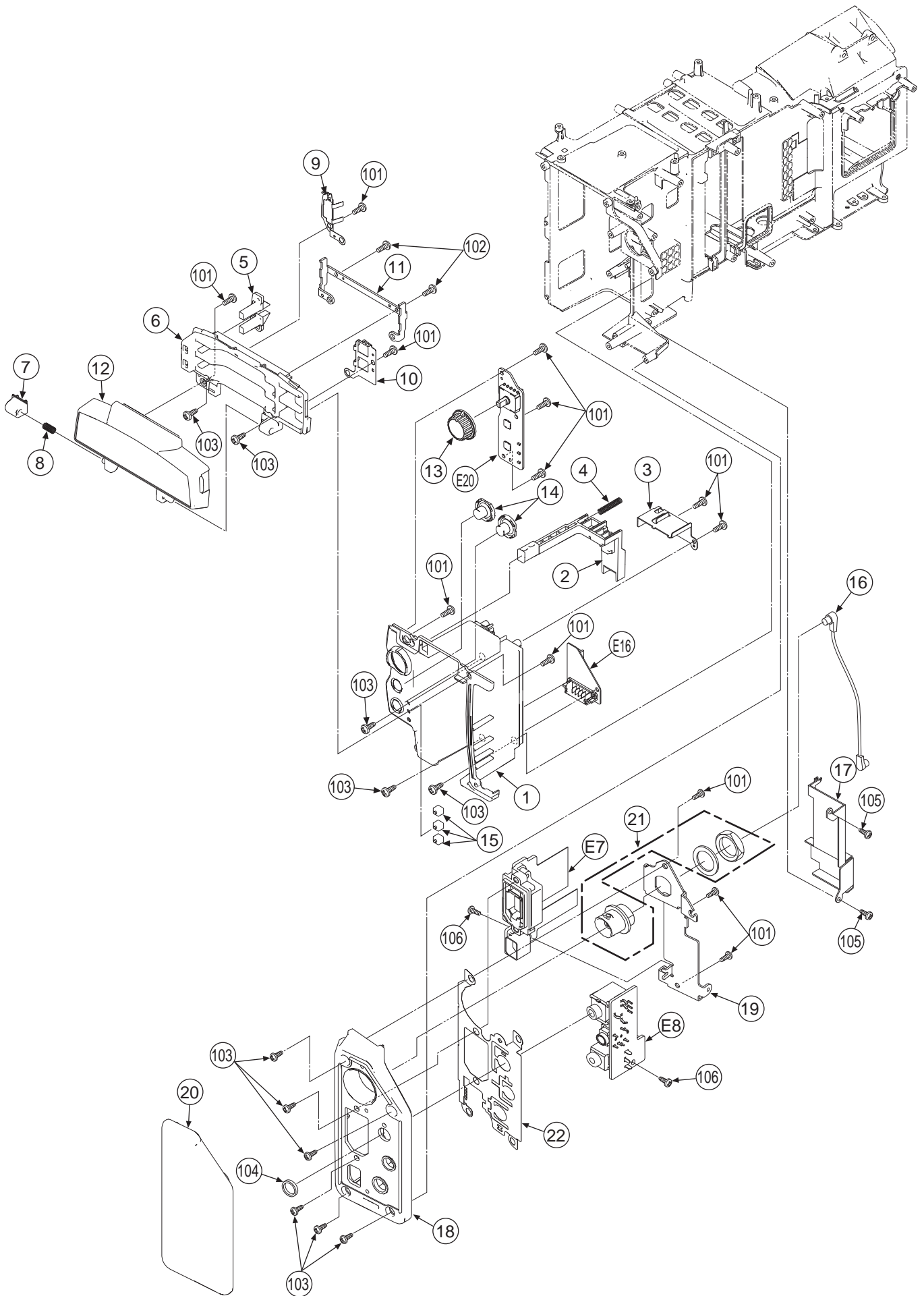
Components identified with the mark  have the special characteristics for safety. When replacing any of these components, use only the same type.



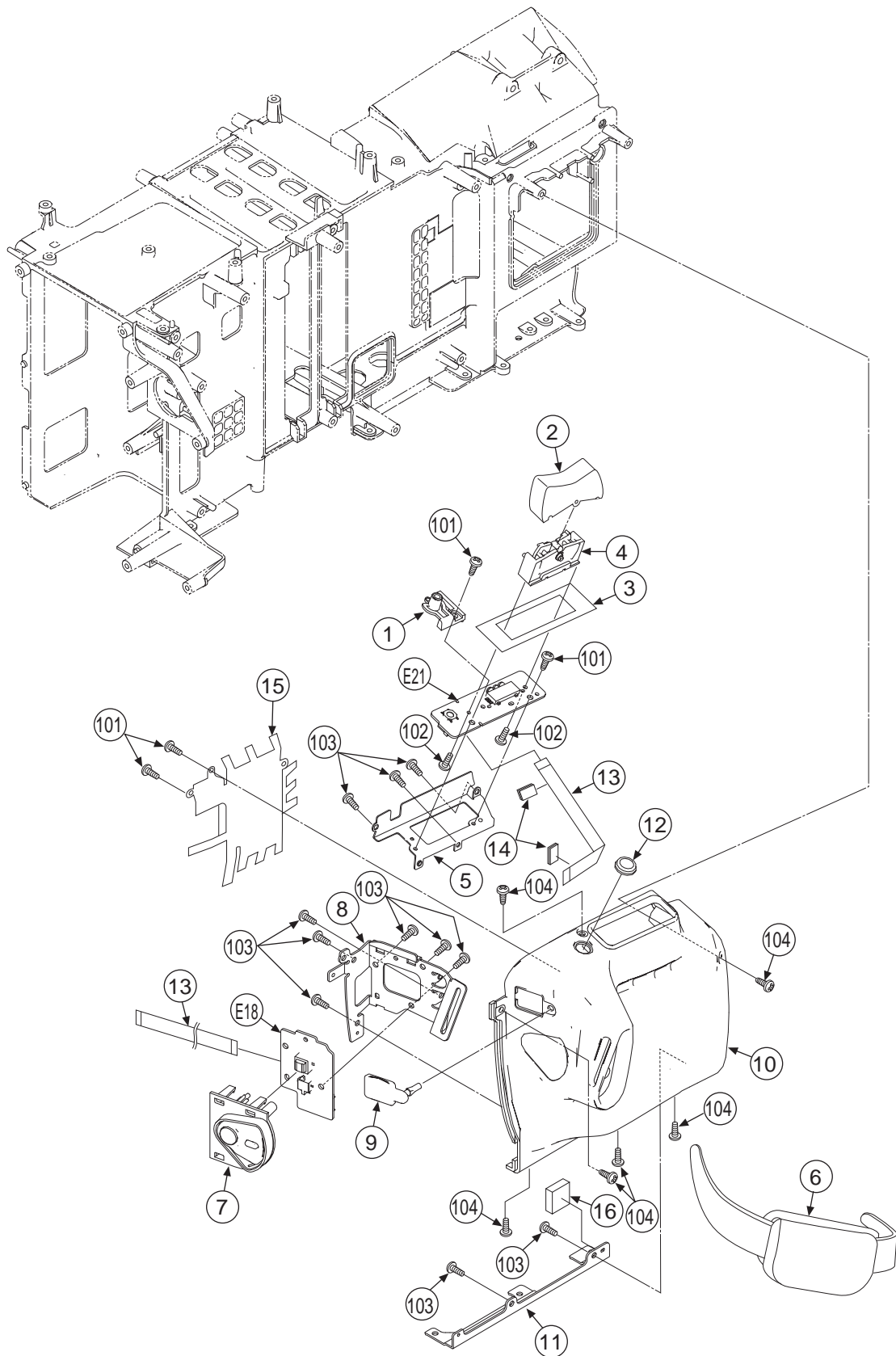
SIDE CASE PARTS ASSEMBLY



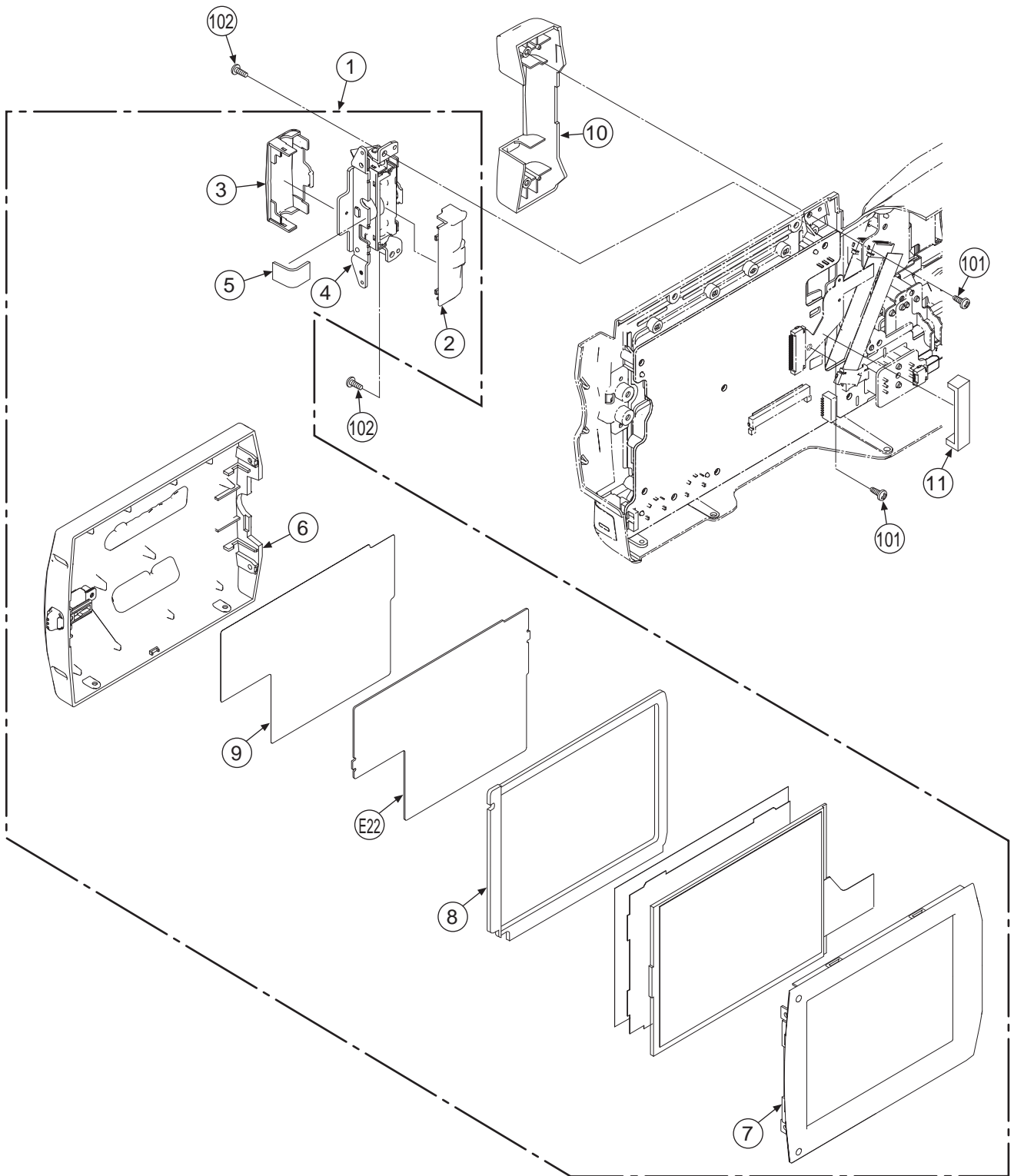
REAR JACK & BACK CASE PARTS ASSEMBLY




GRIP CASE PARTS ASSEMBLY



LCD PARTS ASSEMBLY



PACKING PARTS ASSEMBLY

Components identified with the mark  have the special characteristics for safety. When replacing any of these components, use only the same type.

