

Panasonic Broadcast

AJ-SD255

Mechanical Parts List

Note:


1. *Be sure to make your orders of replacement parts according to this list.
2. Unless otherwise specified, all resistors are in OHMS, K=1,000 OHMS, all capacitors are in MICROFARADS (μF), P= $\mu\mu F$.
3. The P.C. Board unit marked with "■" shown below the main assembled parts.
4. The parts marked with \textcircled{E} on the exploded view show the electric parts.
5. IMPORTANT SAFETY NOTICE
Components identified with the mark Δ have the special characteristics for safety. When replacing any of these components, use only the same type.
6. The marking (RTL) indicates the retention time is limited for this item.
After the discontinuation of this assembly in production, it will no longer be available.
7. "(M)" in Remark column indicates needed in the periodical maintenance.

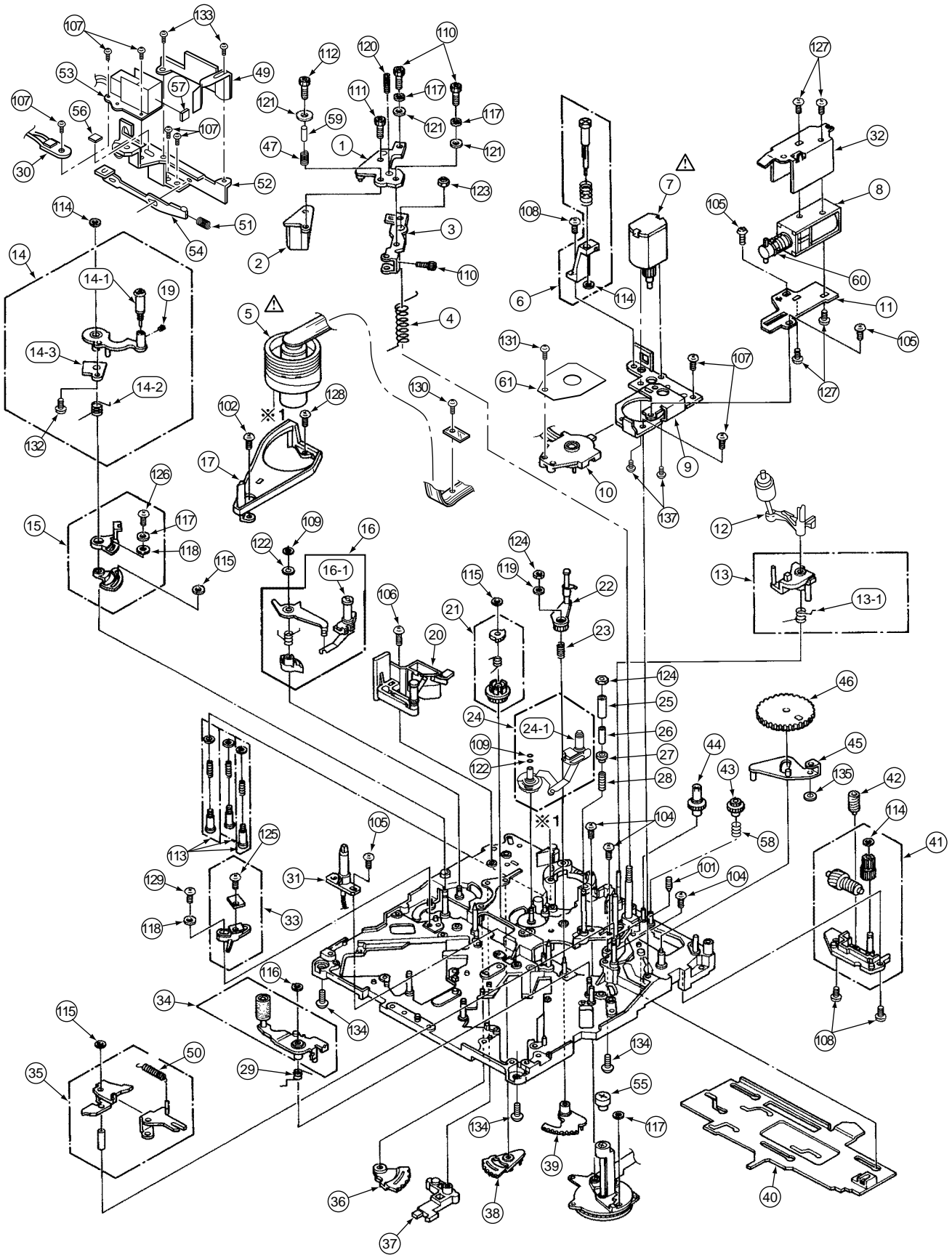
CONTENTS

SERVICING FIXTURES & TOOLS	PRT-1
MECHANICAL CHASSIS ASSEMBLY (1)	PRT-2
MECHANICAL CHASSIS ASSEMBLY (2)	PRT-4
SUB CHASSIS ASSEMBLY	PRT-6
CASSETTE COMPARTMENT ASSEMBLY	PRT-8
CASING PARTS ASSEMBLY	PRT-10
FRONT PANEL ASSEMBLY	PRT-12
CHASSIS FRAME ASSEMBLY	PRT-14
REAR PANEL ASSEMBLY	PRT-16
PACKING PARTS ASSEMBLY	PRT-18
ELECTRICAL REPLACEMENT PARTS LIST (AJ-SD755P)	PRT-20
ELECTRICAL REPLACEMENT PARTS LIST (AJ-SD755E/ D755MC)	PRT-57
PACKING PARTS ASSEMBLY (AJ-YA755G)	PRT-94

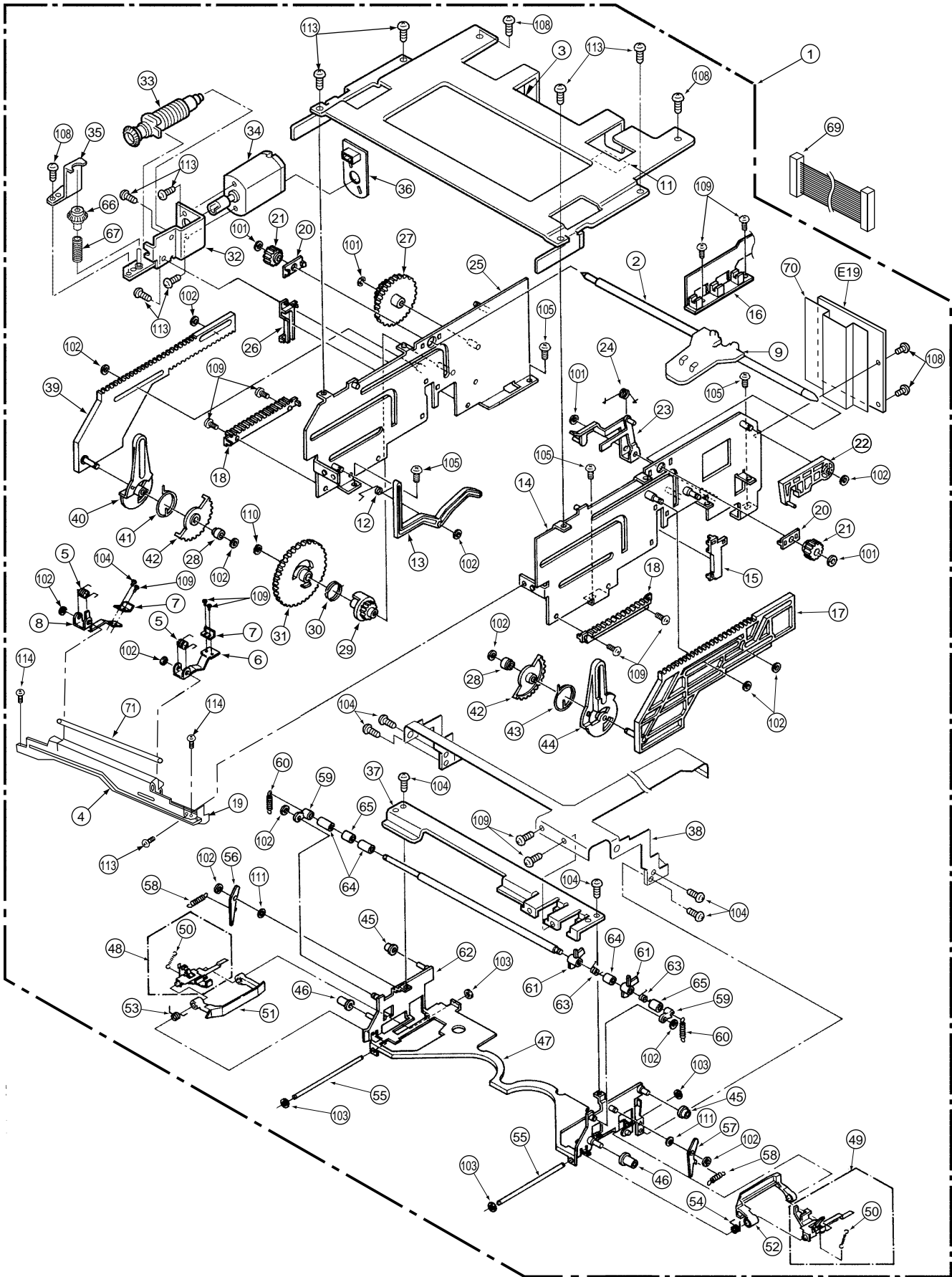
AJ-SD755P				AJ-SD755E/ D755MC			
Ref. No.	Parts No.	P.C.Board	Page	Ref. No.	Parts No.	P.C.Board	Page
E1	VEP84383C	F1 AUDIO	PRT-20	E1	VEP84383C	F1 AUDIO	PRT-57
E2	VEP83594B	F2A V IN	PRT-24	E2	VEP83594A	F2A V IN	PRT-61
E3	VEP84384B	F2B A PROC	PRT-29	E3	VEP84384B	F2B A PROC	PRT-66
E4	VEP83629E	F4 REC PB	PRT-29	E4	VEP83629D	F4 REC PB	PRT-66
E5	VEP83597E	F5 V OUT	PRT-34	E5	VEP83597D	F5 V OUT	PRT-70
E6	VEP86326J	F6 SYSCON	PRT-37	E6	VEP86326H	F6 SYSCON	PRT-74
E7	VEP82246E	F7 SERVO	PRT-40	E7	VEP82246E	F7 SERVO	PRT-77
E8	VEP85207B	F8 RF EQ	PRT-44	E8	VEP85207B	F8 RF EQ	PRT-81
E9	VEP85217A	RF CUE	PRT-48	E9	VEP85217A	RF CUE	PRT-85
E10	VEP80C41A	MOTHER	PRT-50	E10	VEP80C41A	MOTHER	PRT-87
E11	VEP82239A	MECHA IF	PRT-51	E11	VEP82239A	MECHA IF	PRT-87
E12	VEP82247A	MECHA IF2	PRT-51	E12	VEP82247A	MECHA IF2	PRT-88
E13	VEP81221C	POWER 1	PRT-51	E13	VEP81221C	POWER 1	PRT-88
E14	VEP81222A	POWER 2	PRT-53	E14	VEP81222A	POWER 2	PRT-90
E15	VEP80C40C	AV JACK	PRT-53	E15	VEP80C40C	AV JACK	PRT-90
E16	VEP86337C	FRONT	PRT-54	E16	VEP86337C	FRONT	PRT-91
E17	VEP80C79B	FRONT SUB	PRT-56	E17	VEP80C79B	FRONT SUB	PRT-92
E18	VEP80C78A	EJECT	PRT-56	E18	VEP80C78A	EJECT	PRT-93
E19	VEP80856A	CARRIGE	PRT-56	E19	VEP80856A	CARRIGE	PRT-93

MECHANICAL CHASSIS ASSEMBLY (2)

Components identified with the mark  have the special characteristics for safety. When replacing any of these components, use only the same type.



CASSETTE COMPARTMENT ASSEMBLY

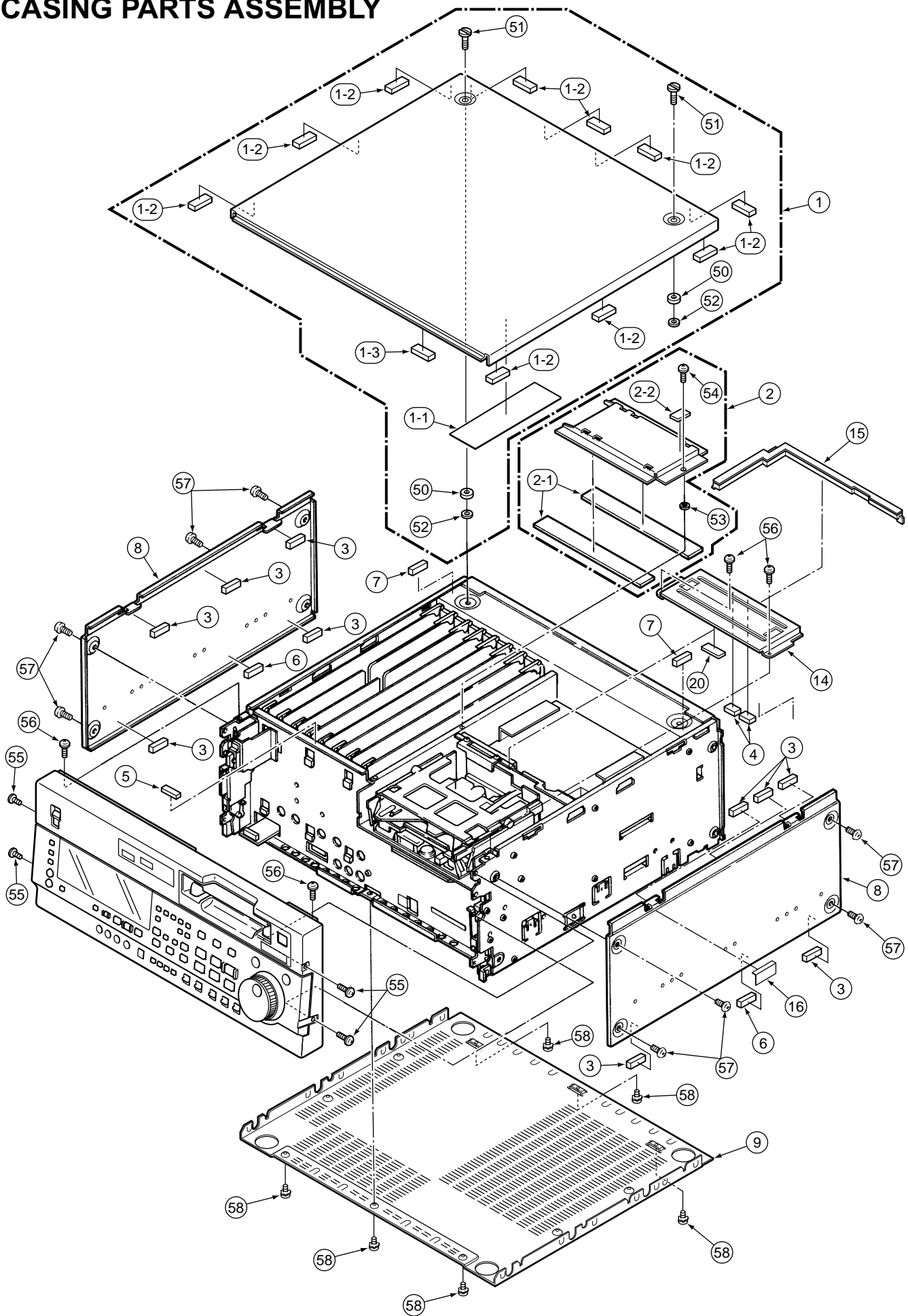


CASSETTE COMPARTMENT ASSEMBLY


Ref.No.	Part No.	Part Name & Description	Pcs	Remarks
1	VXA7347	FRONT LOADING ASS'Y	1 (M)	
2	VMS5865	MAIN SHAFT	1	
3	VMA9849	TOP PLATE	1	
4	VMA0M72	FRONT GUIDE 1 ASS'Y	1	
5	VMB3075	M GUIDE SPRING	2	
6	VML3191	M GUIDE RIGHT LEVER	1	
7	VML3192	M FRONT GUIDE	2	
8	VML3190	M GUIDE LEFT LEVER	1	
9	VML3397	CASSETTE PROTECT PLATE	1	
11	VMZ3233	FPC PROTECTOR	1	
12	VMB2926	SPRING	1	
13	VML2A50	BLINDER PANEL OPENER	1	
14	VXA7355	SIDE PLATE R 1 ASS'Y	1	
15	VML3282	SUB RAIL (R)	1	
16	VEK7695	SIDE FLEXIBLE	1	
17	VXA5766	MAIN RACK R ASS'Y	1	
18	VDG1156	WIPER RACK	2	
19	VMZ3259	FPC COVER	1	
20	VDB1395	MAIN SHAFT ANGLE	2	
21	VDG1412	INTERLOCK GEAR	2	
22	VML3193	OPENER DRIVE ARM	1	
23	VXL2692	OPENER ANGLE ASS'Y	1	
24	VMB2979	SPRING	1	
25	VXA7353	SIDE PLATE L 1 ASS'Y	1	
26	VML3281	SUB RAIL (L)	1	
27	VDG1413	INTERMEDIATE GEAR	1	
28	VDP1643	WIPER ROLLER	2	
29	VDG1414	CLUTCH GEAR	1	
30	VMB2980	CLUTCH SPRING	1	
31	VDG1236	WORM WHEEL	1	
32	VXA5848	MOTOR ANGLE (A) ASS'Y	1	
33	VXP1797	E.E SLOT IN WORM ASS'Y	1	
34	VXA5597	MOTOR ASS'Y	1 (M)	
35	VMA9673	EMERGENCY ANGLE	1	
36	VEK7793	MOTOR P.C.BOARD	1	
37	VMA9668	HOLDER PLATE	1	
38	VEK7715	HOLDER FLEXIBLE ASS'Y	1	
39	VXA6075	MAIN RACK (L) ASS'Y	1	
40	VML3485	WIPER ARM (R)	1	
41	VMB3390	WIPER SPRING (L)	1	
42	VDG1163	WIPER GEAR	2	
43	VMB3391	WIPER ARM (L)	1	
44	VML3484	WIPER SPRING (R)	1	
45	VDP1642	CASSETTE GUIDE ROLLER (2)	2	
46	VDP1641	CASSETTE GUIDE ROLLER (1)	2	
47	VXA5757	CASSETTE HOLDER 1 ASS'Y	1	
48	VXA5758	ROD L	1	
49	VXA5759	ROD R	1	
50	VMB3064	SLIDE SPRING	2	
51	VML3249	SIDE GUIDE L	1	
52	VML3250	SIDE GUIDE R	1	
53	VMB3061	SLIDE GUIDE SPRING L	1	
54	VMB3062	SLIDE GUIDE SPRING R	1	
55	VMS6108	KICK OFF ROD SHAFT	2	
56	VML2A54	KICK OFF ARM L	1	
57	VML2A55	KICK OFF ARM R	1	
58	VMB2928	KICK OFF SPRING	2	
59	VML2A53	CASSETTE HOLDER ARM	2	
60	VMB2927	CASSETTE HOLDER SPRING	2	
61	VMX2833	M-L DETECT ROLLER	2	
62	VMS5882	CASSETTE HOLDER SHAFT	1	
63	VMB3253	M-L DETECT SPRING	2	
64	VMX2559	CASSETTE PRESSURE ROLLER(2)	3	
65	VMX2524	CASSETTE PRESSURE ROLLER(1)	2	
66	VDG1246	EMERGENCY GEAR	1	
67	VMB3109	EMERGENCY SPRING	1	
69	VEE9577	CABLE	1	
70	VMZ3040	SHIELD PLATE	1	
71	VMS7087	GUIDE LEVER PIN	1	
101	VMX0653	CUT WASHER	4	
102	VMX0967	CUT WASHER	14	

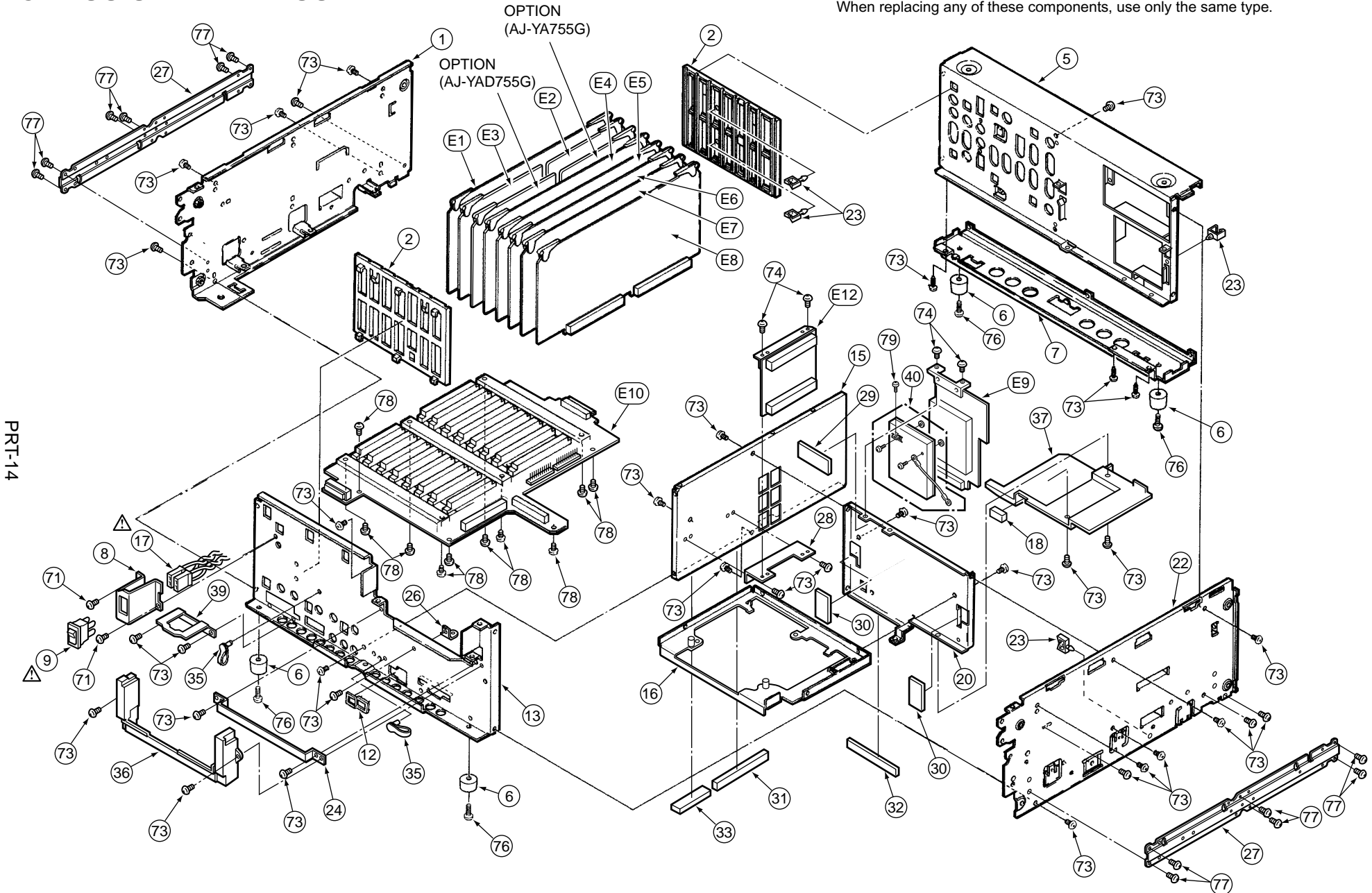
Ref.No.	Part No.	Part Name & Description	Pcs	Remarks
103	VMX1061	WASHER	4	
104	XQN16+A2	SCREW	7	
105	XQN2+C4	SCREW	4	
108	XQN2+A3	SCREW	5	
109	LMHD16064	SCREW	11	
110	XUC25FP	E-RING	1	
111	XWGV2Z5G	WASHER	2	
113	VHD1323	SCREW	9	
114	XYN2+K4	SCREW	2	
E19	VEP80856A	CARRIGE P.C.BOARD	1	

CASING PARTS ASSEMBLY



CHASSIS FRAME ASSEMBLY

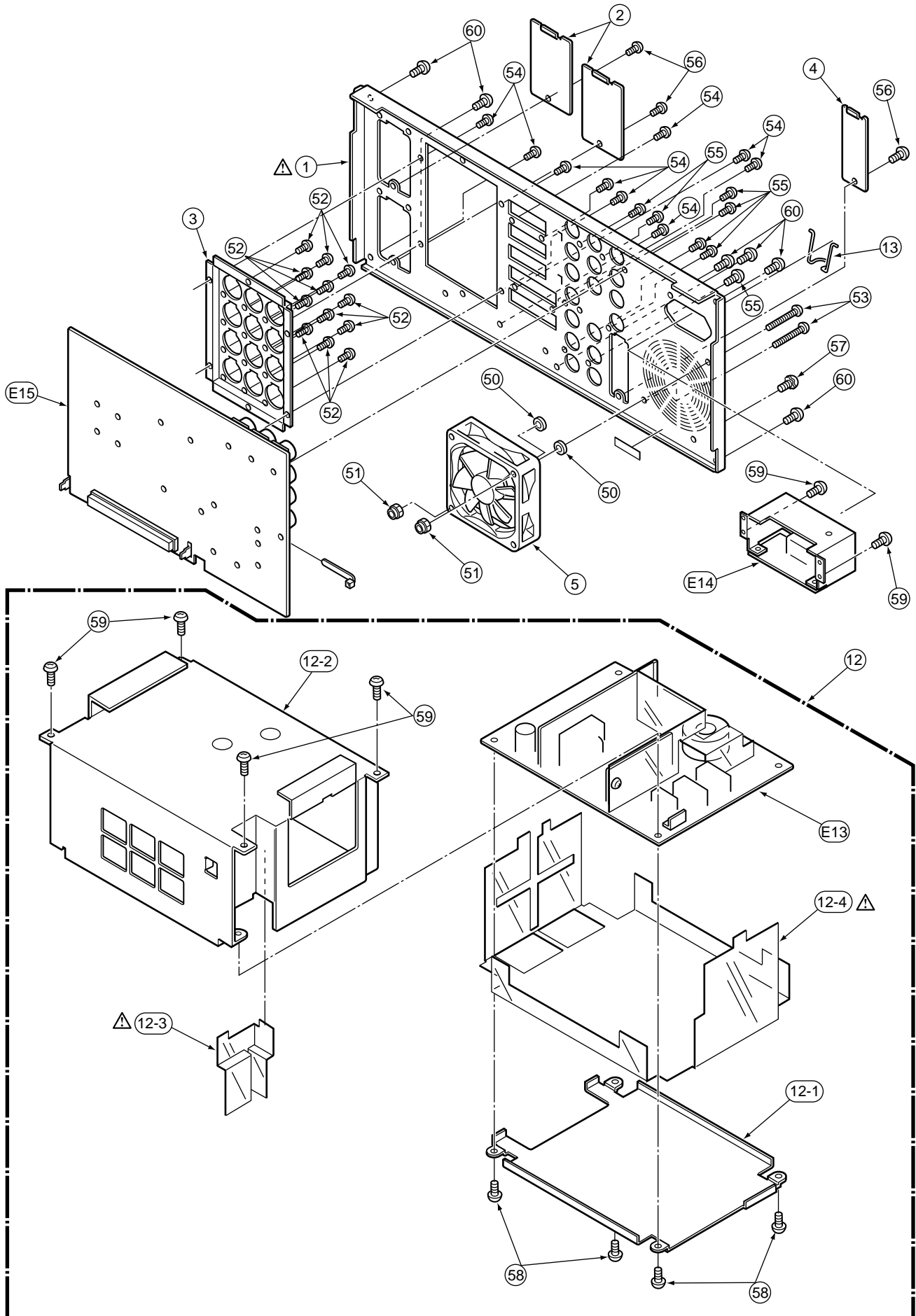
Components identified with the mark  have the special characteristics for safety. When replacing any of these components, use only the same type.




PRT-14

REAR PANEL ASSEMBLY

Components identified with the mark Δ have the special characteristics for safety. When replacing any of these components, use only the same type.



PACKING PARTS ASSEMBLY

Components identified with the mark  have the special characteristics for safety. When replacing any of these components, use only the same type.

