

SECTION 7

Panasonic Broadcast

AK-HC910 Mechanical Parts

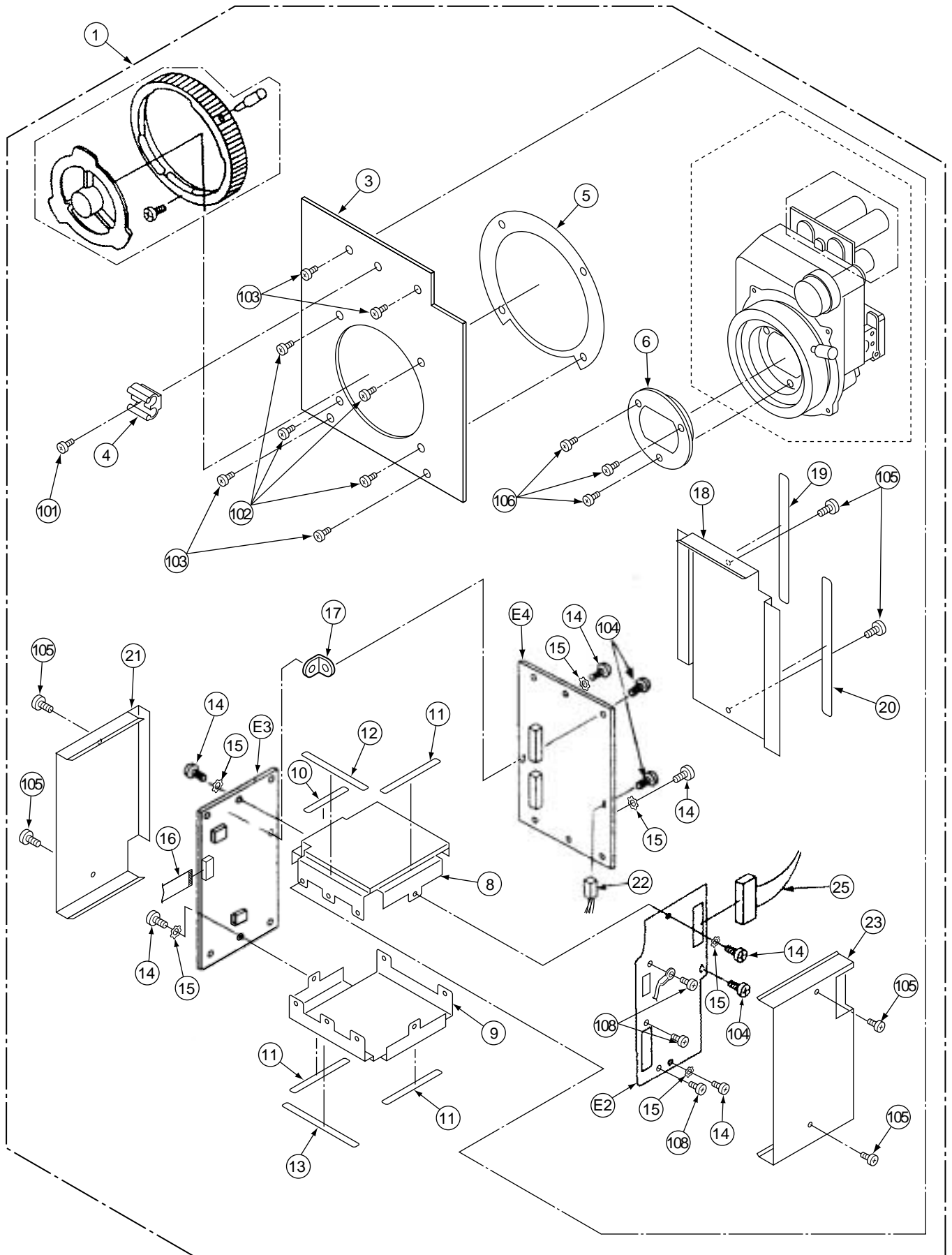
Note:

1. *Be sure to make your orders of replacement parts according to this list.
2. Unless otherwise specified, all resistors are in OHMS, K=1,000 OHMS, all capacitors are in MICROFARADS (μ F), P= μ μ F.
3. The P.C. Board unit marked with "■" shown below the main assembled parts.
4. The parts marked with $\text{\textcircled{E}}$ on the exploded view show the electric parts.
5. IMPORTANT SAFETY NOTICE
Components identified with the mark Δ have the special characteristics for safety. When replacing any of these components, use only the same type.
6. The marking (RTL) indicates the retention time is limited for this item.
After the discontinuation of this assembly in production, it will no longer be available.
7. "M" in Remark column indicates needed in the periodical maintenance.

CONTENTS

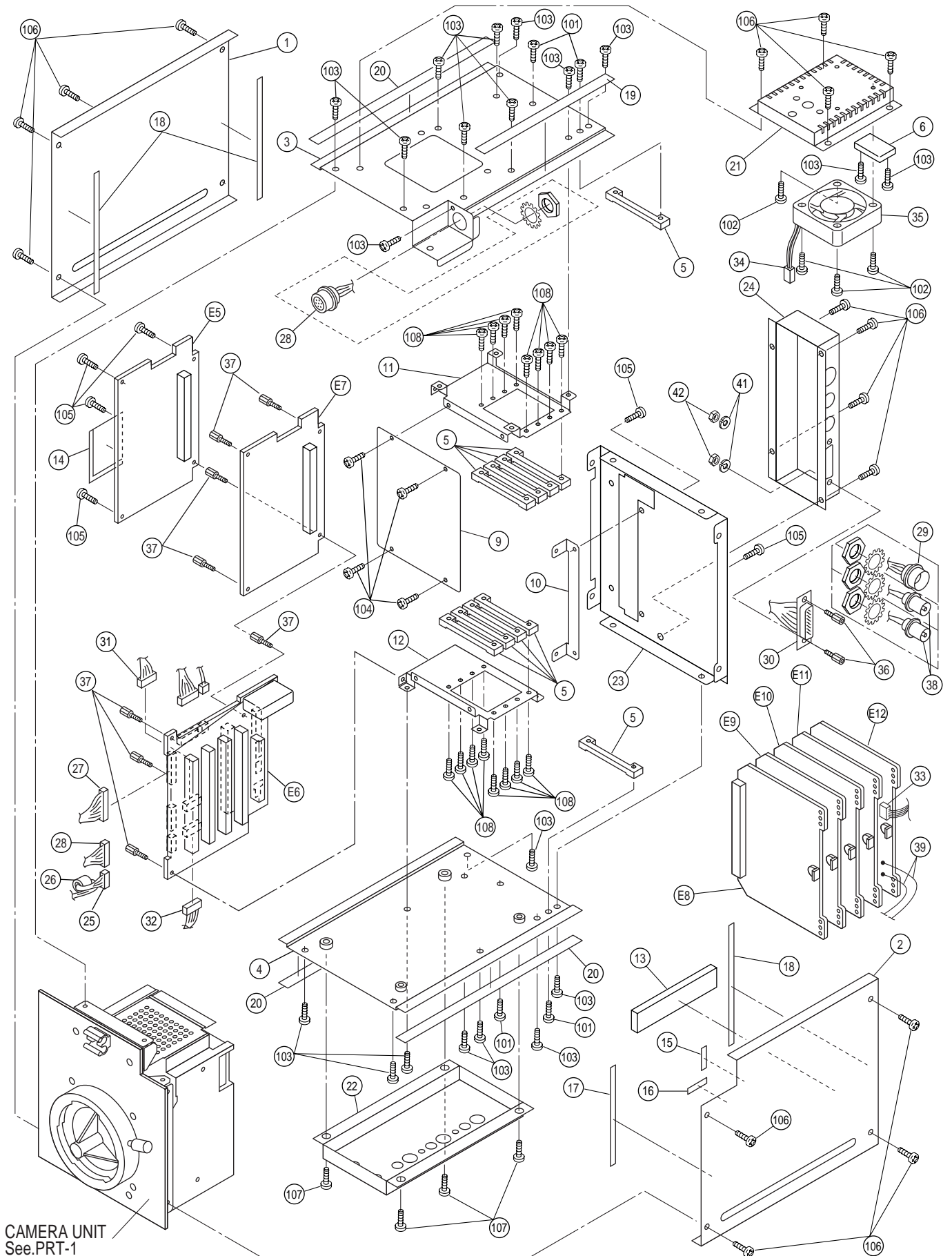
Camera Unit Assembly	PRT-1
Chassis Frame Assembly	PRT-3
Packing Parts Assembly	PRT-5

CAMERA UNIT ASSEMBLY



CHASSIS FRAME ASSEMBLY

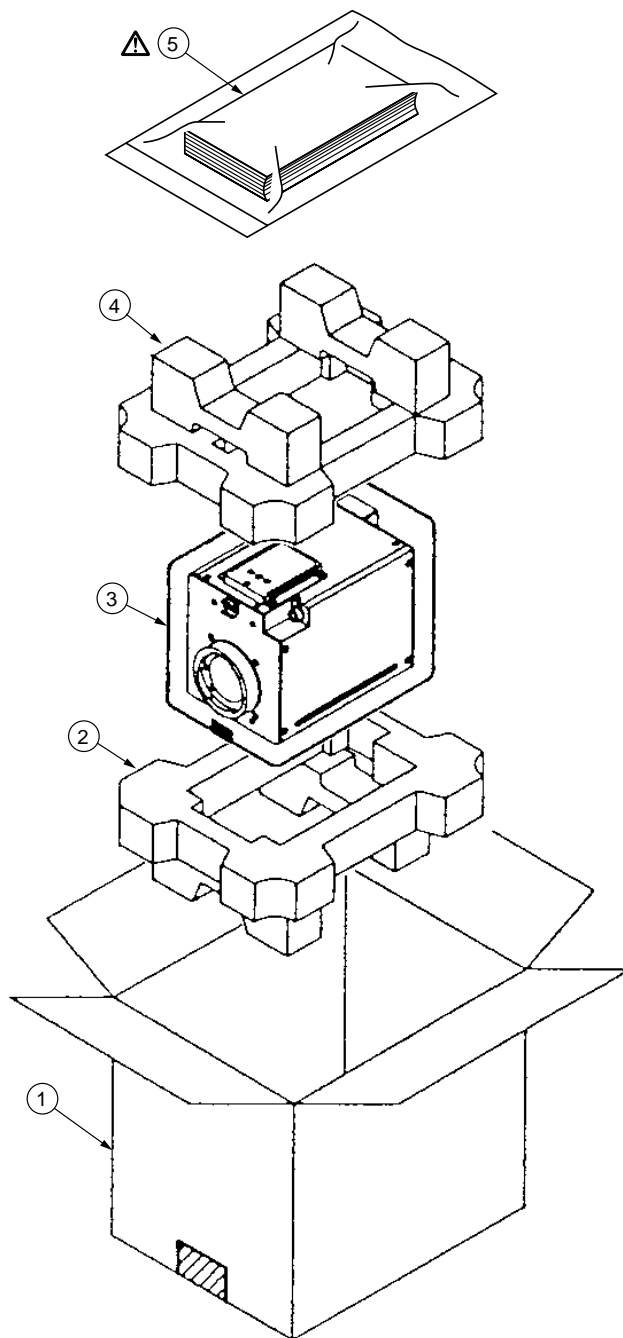
Components identified with the mark \triangle have the special characteristic for safety.
When replacing any of these components, use only the same type.



CAMERA UNIT
See.PRT-1

PACKING PARTS ASSEMBLY

Components identified with the mark \triangle have the special characteristic for safety. When replacing any of these components, use only the same type.



PACKING PARTS ASSEMBLY

Components identified with the mark \triangle have the special characteristic for safety. When replacing any of these components, use only the same type.

Ref. No.	Part No.	Part Name & Description	Pcs	Remarks
1	VPG0Q54	PACKING CASE	1	
2	VPN5804	CUSHION B	1	
3	PE26X40C05B	POLYETHYLENE BAG	1	
4	VPN5803	CUSHION A	1	
\triangle 5	VQT9968-1	OPERATING INSTRUCTIONS	1	FOR AK-HC900P

Ref. No.	Part No.	Part Name & Description	Pcs	Remarks
\triangle 5	VQT0H34	OPERATING INSTRUCTIONS	1	FOR AK-HC910P