

# SECTION 6

---

---

## Panasonic Broadcast

### AW-PH400 Mechanical Parts

---

---

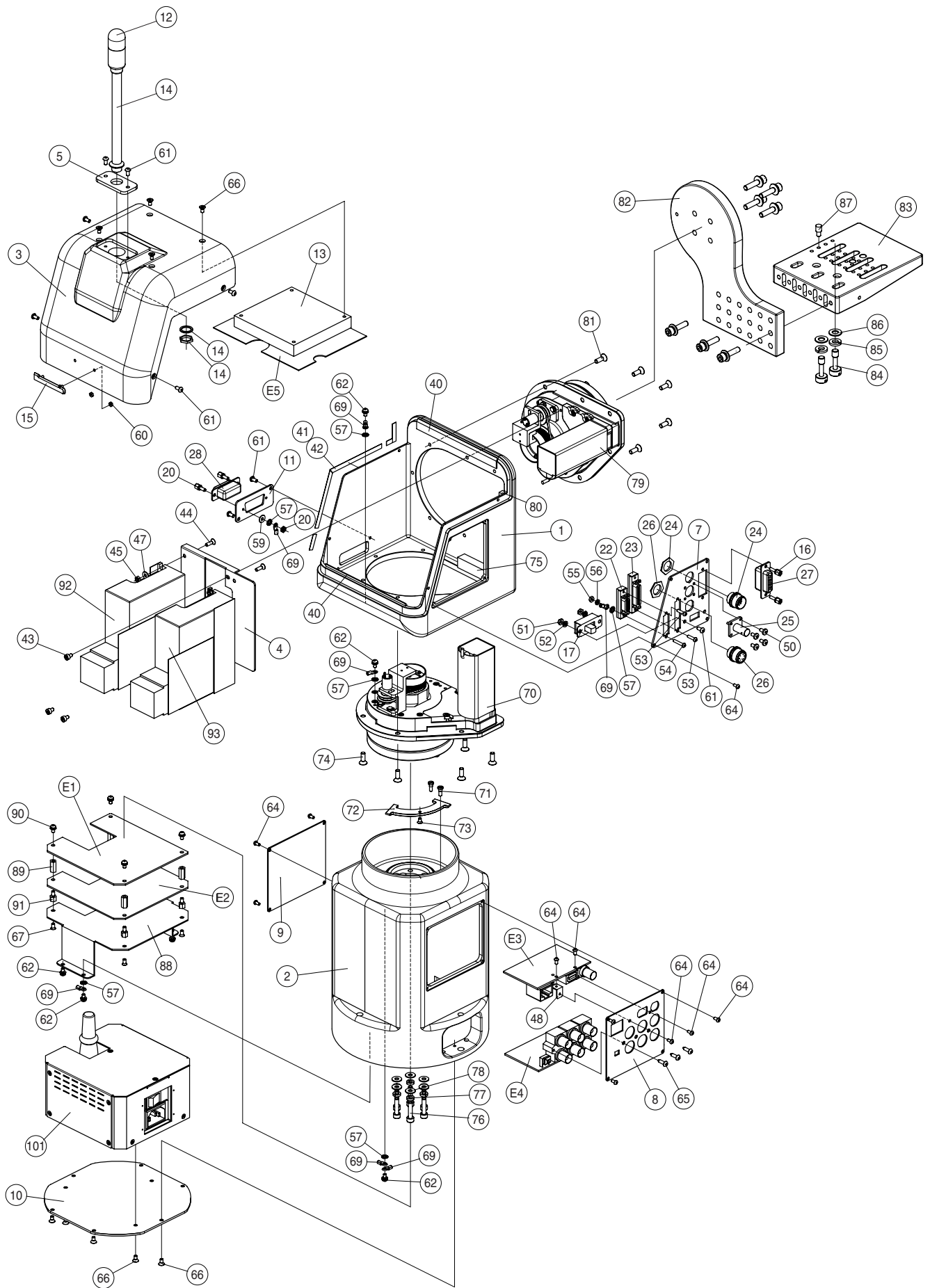
Note:

1. \*Be sure to make your orders of replacement parts according to this list.
2. Unless otherwise specified, all resistors are in OHMS, K=1,000 OHMS, all capacitors are in MICROFARADS ( $\mu$ F), P= $\mu$  $\mu$ F.
3. The P.C. Board unit marked with "■" shown below the main assembled parts.
4. The parts marked with  $\text{\textcircled{E}}$  on the exploded view show the electric parts.
5. IMPORTANT SAFETY NOTICE  
Components identified with the mark  $\Delta$  have the special characteristics for safety. When replacing any of these components, use only the same type.
6. The marking (RTL) indicates the retention time is limited for this item.  
After the discontinuation of this assembly in production, it will no longer be available.
7. "M" in Remark column indicates needed in the periodical maintenance.

## CONTENTS

CHASSIS FRAME ASSEMBLY .....	PRT-1
AC ADAPTER UNIT ASSEMBLY .....	PRT-3
PACKAGING PARTS ASSEMBLY .....	PRT-5

# CHASSIS FRAME ASSEMBLY

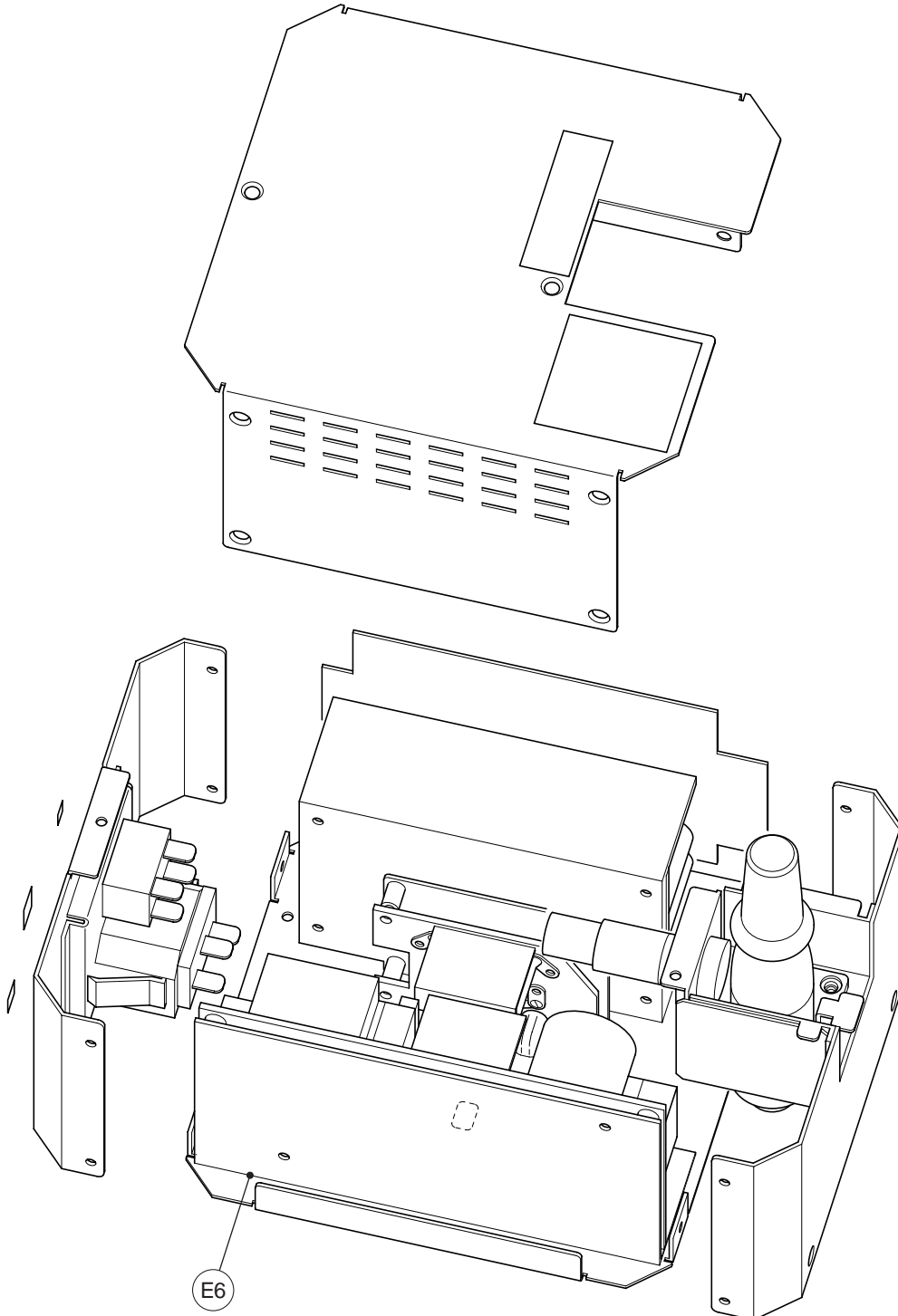


# CHASSIS FRAME ASSEMBLY

Ref.No.	PartNo.	Part Name & Description	Pcs	Remarks
1	P40B0D01P001	HEAD CHASSIS	1	
2	P40B0D01P002	BASE	1	
3	P40B0D01P003	HOUSING CASE	1	
4	P40B0D01P004	SERVO STAND	1	
5	P40B0D01P014	TALLY STAND	1	
7	P40B0D01P008	UPPER CONNECTOR PANEL	1	
8	P40B0D01P009	LOWER CONNECTOR PANEL	1	
9	P40B0D01P010	BASE OPTION PANEL	1	
10	P40B0D01P011	BOTTOM PLATE	1	
11	P40B0D01P012	D-SUB CONNECTOR PANEL	1	
12	P40B0D01B055	TALLY LAMP LENS	1	
13	N0BH1EJ00001	DC-DC CONVERTER	1	
14	P40B0D01B012	TALLY LAMP	1	MS-12
15	V7PA0054A4	LOGO PLATE	1	
16	K1ZZ00001335	FRONT/REARMOUNT	2	
17	P40B0D01B005	SLIDE SWITCH	1	SW-3570
20	K1YEZZ000005	FRONT/REARMOUNT	2	
22	K1FB120AA013	CONNECTOR	1	
23	K1FB136AA010	CONNECTOR	1	
24	K1AA112J0004	CONNECTOR	1	
25	K1RBBAA00001	CONNECTOR	1	
26	P40B0D01B014	CONNECTOR	1	R03-R6F
27	P40B0D01B015	CONNECTOR	1	D02-29SF-N-F0
28	K1GB15A00007	CONNECTOR	1	
40	VSCB0035	GASKET	2	(E,MC)
41	VSCB0042	GASKET(LARGE)	2	(E,MC)
42	VSCB0043	GASKET(SMALL)	2	(E,MC)
43	XVE3A5Z	CAP SCREW	3	
44	XSN3+10FN	SCREW	4	
45	XNG3AFN	NUT	4	
47	XWE3FN	WASHER	4	
48	VMA0M67	P.C.BOARD ANGLE	1	
50	XSB3+6FN	SCREW	4	
51	XNG3AFN	NUT	2	
52	XWA3BFN	SPRING WASHER	2	
53	XSN26+10FN	SCREW	3	
54	XSN26+14FN	SCREW	1	
55	XNG26AFN	NUT	1	
56	XWA26BFN	SPRING WASHER	1	
57	XWC3BFN	WASHER	6	(P)
57	XWC3BFN	WASHER	4	(E,MC)
59	XWE3FN	WASHER	1	
60	XNG2AFN	NUT	2	
61	XSN3+6FN	SCREW	10	
62	XYN4+J6FN	SCREW	7	(P)
62	XYN4+J6FN	SCREW	6	(E,MC)
64	XSN26+5FN	SCREW	16	
65	XTN3+10GFN	SCREW	3	
66	XSS3+6FN	SCREW	13	
67	XSS3+W4FN	SCREW	4	
69	K4DGD0000025	TERMINAL	7	(P)
69	K4DGD0000025	TERMINAL	5	(E,MC)
70	P40PAN01MK00	GEAR ASS'Y(PAN)	1	
71	P40PAN01P003	END STOPPER	2	
72	P40PAN01P004	P STOPPER	1	
73	XSS3+5FN	SCREW	1	
74	XSS4+12FN	SCREW	7	
75	VSCB0040	GASKET C	1	
76	XVE4A18FN	CAP SCREW	6	
77	XWA4AFN	SPRING WASHER	6	
78	XWE4FN	WASHER	6	
79	P40TIL01MK00	GEAR ASS'Y(TILT)	1	
80	VSCB0039	GASKET B	1	
81	XVE3A25FN	CAP SCREW	7	
82	P40CMA01P001	ROTARY ARM	1	
83	P40CMA01P002	CAMERA MOUNTING BASE	1	
84	P40CMA01P003	CAMERA MOUNTING BOLT	2	
85	XWA6BFN	SPRING WASHER	2	
86	XWE6FN	WASHER	2	
87	P40CMA01B003	PIN	1	
88	P40DAC01P005	CPU STAND	1	
89	1CJ001133AAA	SPACER	4	
90	XYN3+J6FN	SCREW	4	
91	1CJ001096AAA	SPACER	4	

Ref.No.	PartNo.	Part Name & Description	Pcs	Remarks
92	P40PAN02MK00	MOTOR UNIT(PAN)	1	
93	P40TIL02MK00	MOTOR UNIT(TILT)	1	
101	P40DAC01MK00	AC ADAPTER UNIT	1	
-	P40B0D01P013	GEAR CASE RUBBER	2	B12
-	P40B0D01B056	NUT	1	B156
-	J0KG00000011	FERRITE CORE	5	B106
-	J0KG00000013	FERRITE CORE	5	B107
-	P40BOD01B009	NYLON CLIP	2	B109
-	XSN3+5FN	SCREW	2	B134
E1	KTC2092B	CPU P.C.BOARD	1	(RTL)
E2	KTC2093B	SERVO CONTROL P.C.BOARD	1	(RTL)
E3	VJBB0117	COMP P.C.BOARD	1	(RTL)
E4	VJBB0118	CN P.C.BOARD	1	(RTL)
E5	VJBB0152	DC-DC P.C.BOARD	1	(RTL)
E6	SAPH40-01	FILTER P.C.BOARD	1	(RTL)

# AC ADAPTER UNIT ASSEMBLY





# PACKAGING PARTS ASSEMBLY

