

SECTION 7

EXPLODED VIEWS & REPLACEMENT PARTS LIST

Model No. : **AG-AC7P**

Note:

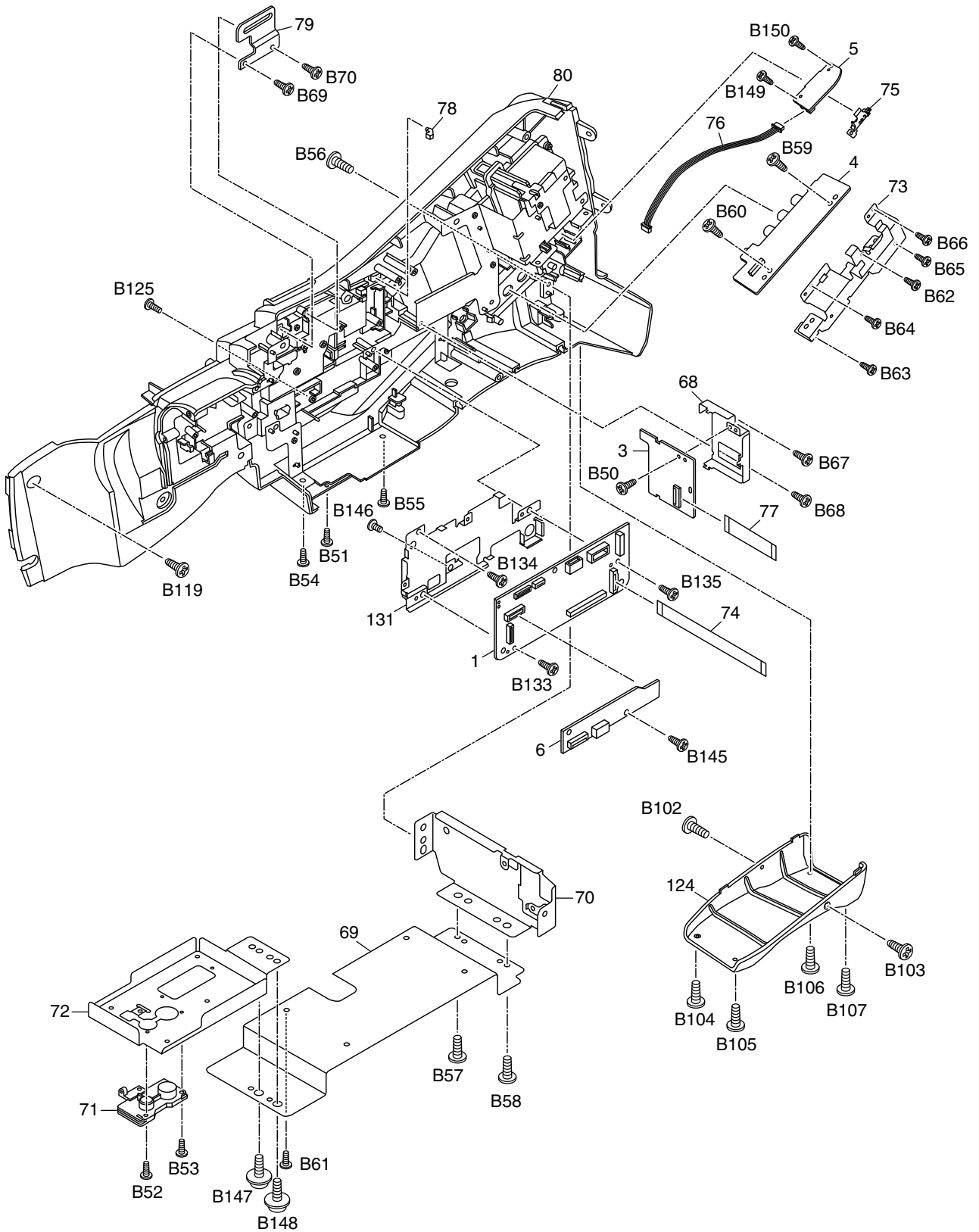
1. *Be sure to make your orders of replacement parts according to this list.
2. Unless otherwise specified, all resistors are in OHMS, K=1,000 OHMS, all capacitors are in MICROFARADS (μ F) P= μ μ F.
3. The P.C.Board unit marked with "■" shown below the main assembled parts.
4. The parts marked with ⊕ on the exploded view show the electric parts.
5. IMPORTANT SAFETY NOTICE
Components identified with the mark \triangle have the special characteristics for safety When replacing any of these components, use only the same type.
6. The marking (RTL) indicates the retention time is limited for this item.
After the discontinuation of this assembly in production, it will no longer be available.
7. "M" in Remark column indicates needed in the periodical maintenance.

CONTENTS

S7-1. FRAME AND CASING SECTION (1)	MPL-1
S7-2. FRAME AND CASING SECTION (2)	MPL-3
S7-3. HANDLE SECTION	MPL-5
S7-4. COVER SECTION	MPL-7
S7-5. EVF SECTION	MPL-9
S7-6. LCD SECTION	MPL-11
S7-7. PACKING PARTS AND ACCESSORIES SECTION	MPL-13
ELECTRICAL REPLACEMENT PARTS LIST	EPL-1

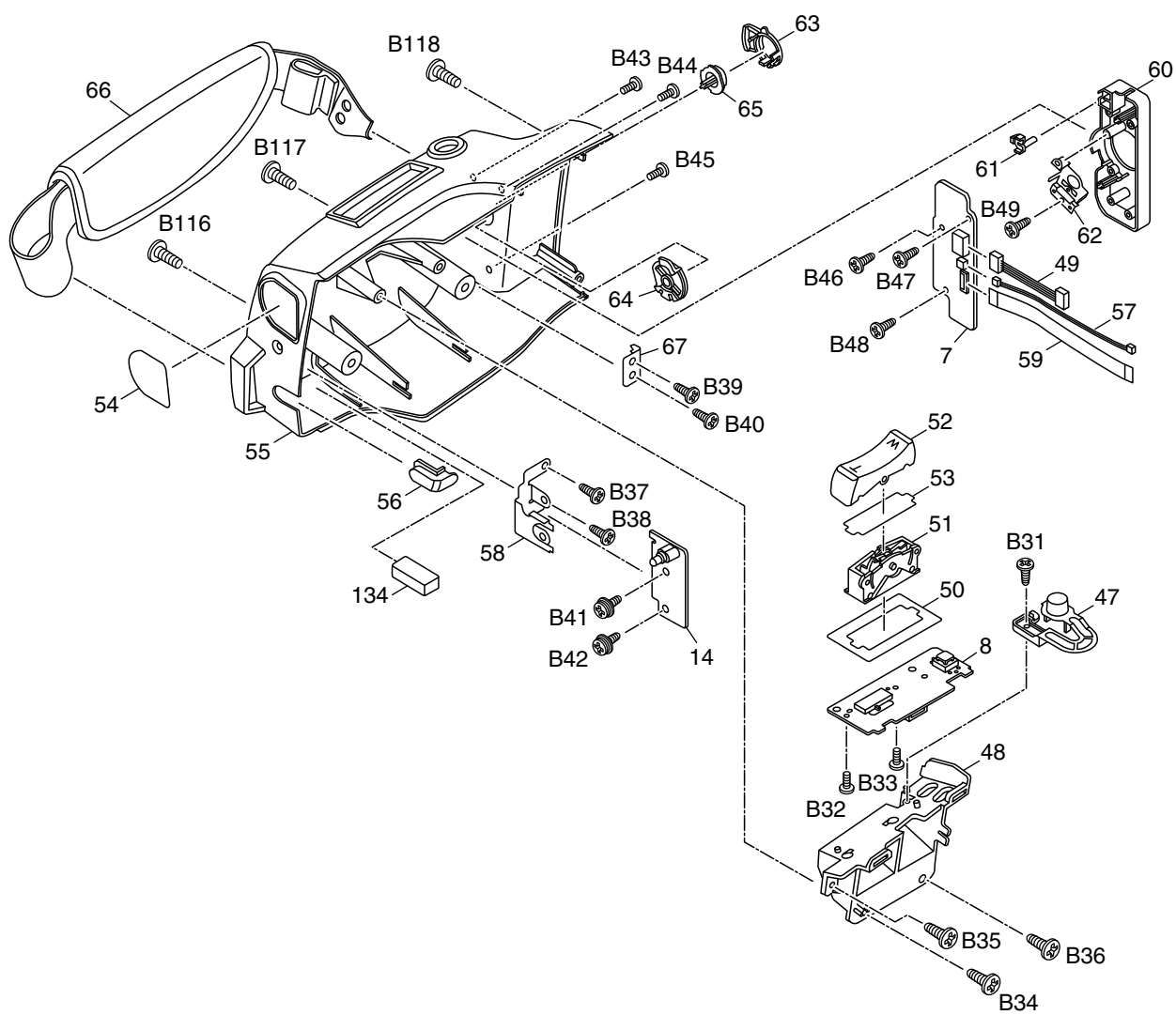
Ref.No.	Part No.	Part Name & Description	Pcs	Remarks	Ref.No.	Part No.	Part Name & Description	Pcs	Remarks
12	VEP06655A	SIDE-R INT P.C.B. UNIT	1	(RTL) E.S.D.					
13	VEP002E8A	SIDE-R OP P.C.B. UNIT	1	(RTL) E.S.D.					
15	VEP27227A	MF SENS P.C.B. UNIT	1	(RTL) E.S.D.					
82	VY05819	ND CASE UNIT	1						
83	VFC4129	LENS HOOD UNIT	1						
85	VGQ0568	SHEET	1						
86	VGQ0573	SHEET	1						
87	VGU0H09	CAMERA OP BUTTON	1						
88	VGQ0R71	SHEET	1						
89	VGU9872	SLIDE BUTTON	1						
90	VGU9872	SLIDE BUTTON	1						
91	VWJ2132	SIDE-R OP FPC	1						
92	VWJ2224	SIDE-R FPC	1						
93	LOAA01A00056	SPEAKER	1						
94	VMP9589	SP ANGLE	1						
95	VYK4H39	SIDE CASE-R UNIT	1						
102	VXP3512	MF RING UNIT	1						
123	VGP6367	FACE PANEL	1						
125	VMG1357	FOCUS RING	1						
126	VMP9822	LENS FRAME-R	1						
127	VMG1107	MECHANISM DUMPER RUBBER	1						
128	VMP9821	LENS FRAME-L	1						
129	VMG1107	MECHANISM DUMPER RUBBER	1						
130	VMG1107	MECHANISM DUMPER RUBBER	1						
201	VXW1151	LENS UNIT	1						
202	VXQ1970	MOS UNIT	1						
203	VMX3811	MOS CUSHION	1						
204	VDL2467	IR FILTER	1						
205	L6HA66NC0015	ZOOM MOTOR	1						
206	L6HA66NC0016	FOCUS MOTOR	1						
B71	XQN16+BJ6FJK	SCREW	1						
B72	XQN16+BJ6FJK	SCREW	1						
B73	XQN16+BJ6FJK	SCREW	1						
B74	XQN16+BJ6FJK	SCREW	1						
B75	XQN16+BJ6FJK	SCREW	1						
B76	XQN16+BJ6FJK	SCREW	1						
B77	XQN16+BJ6FJK	SCREW	1						
B78	XQN16+BJ6FJK	SCREW	1						
B79	XQN16+BJ5FN	SCREW	1						
B80	XQN16+BJ5FN	SCREW	1						
B81	XQN16+BJ5FN	SCREW	1						
B82	XQN16+BJ5FN	SCREW	1						
B83	XQN16+BJ5FN	SCREW	1						
B84	XQN16+BJ4FN	SCREW	1						
B85	XQN16+BJ4FN	SCREW	1						
B108	XTB3+10GFJK	SCREW	1						
B109	XTB3+10GFJK	SCREW	1						
B110	XTB3+10GFJK	SCREW	1						
B111	XTB3+10GFJK	SCREW	1						
B120	XTB3+10GFJK	SCREW	1						
B121	XTB3+10GFJK	SCREW	1						
B122	XQN2+B5FJK	SCREW	1						
B123	XQN2+B5FJK	SCREW	1						
B124	XQN2+B5FJK	SCREW	1						
B126	XQN2+BJ6FJK	SCREW	1						
B127	XQN2+BJ6FJK	SCREW	1						
B128	XQN2+BJ6FJK	SCREW	1						
B129	XQN2+BJ6FJK	SCREW	1						
B130	XQN2+BJ6FJK	SCREW	1						
B131	XQN2+BJ6FJK	SCREW	1						
B132	XQN2+BJ6FJK	SCREW	1						
B136	XYN3+J10FJK	SCREW	1						
B137	XYN3+J10FJK	SCREW	1						
B138	XYN3+J10FJK	SCREW	1						
B139	XYN3+J10FJK	SCREW	1						
B142	XQN2+BJ5FN	SCREW	1						
B143	XQN2+BJ5FN	SCREW	1						
B144	XQN2+BJ5FN	SCREW	1						
B201	VHD2072	SCREW	1						
B202	VHD2072	SCREW	1						
B203	VHD2073	SCREW	1						
B204	VHD2073	SCREW	1						
B205	VHD2073	SCREW	1						
B206	VHD2073	SCREW	1						

S7.2. Frame and Casing Section (2)

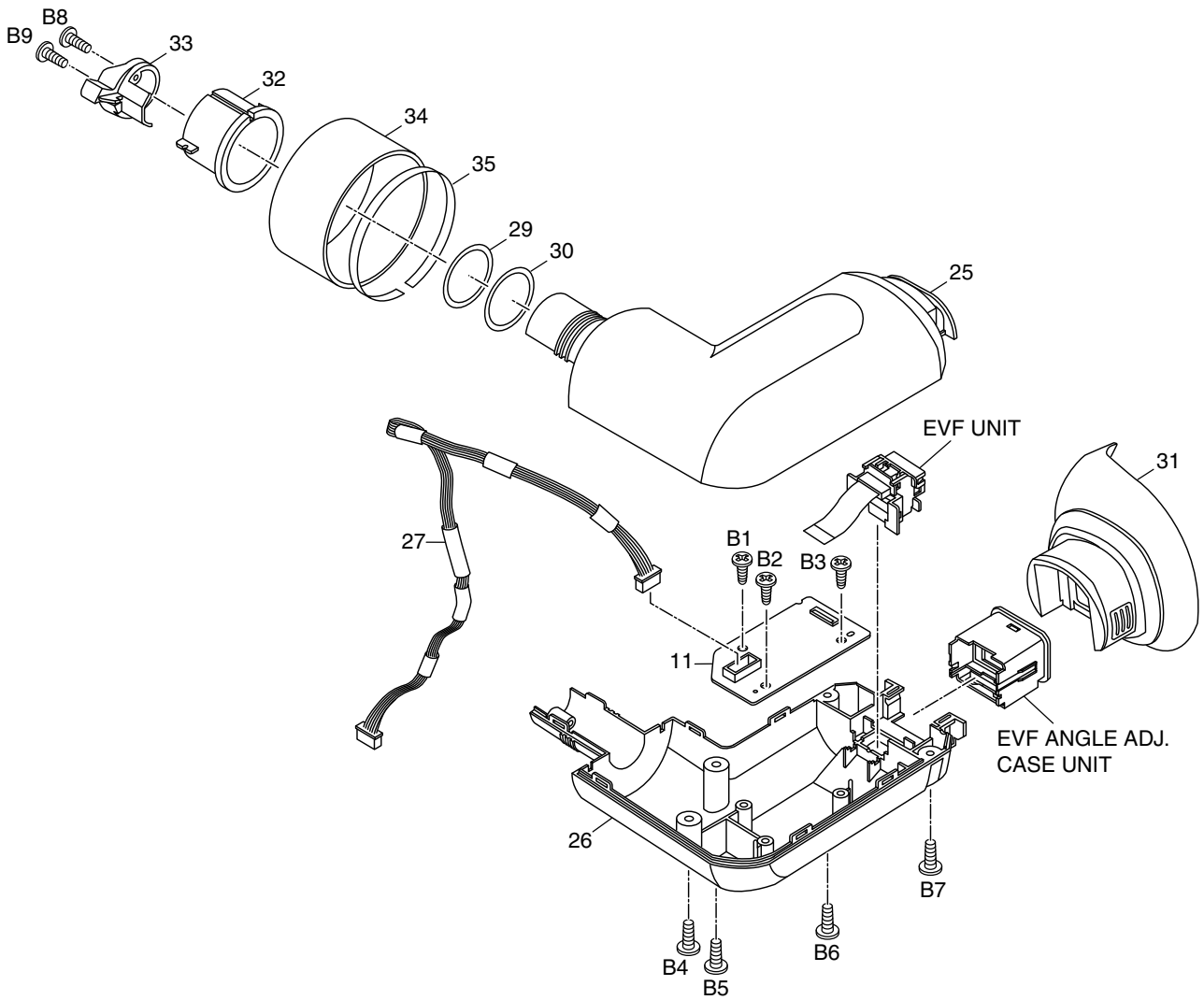


Ref. No.	Part No.	Part Name & Description	Pcs	Remarks	Ref. No.	Part No.	Part Name & Description	Pcs	Remarks
9	VEP04970A	EXT MIC P. C. B. UNIT	1	(RTL) E. S. D.					
10	VEP06654A	HANDLE ZOOM P. C. B. UNIT	1	(RTL) E. S. D.					
38	VYK1065	HANDLE UNIT	1						
39	VKF4044	HANDLE COVER	1						
40	VJF0804	LENS CABLE CLAMPER	1						
41	JOKG00000100	CLAMPER	1						
42	VMP2407	SHOE HOLD PLATE	1						
43	VMC1288	SHOE SPRING	1						
44	VG05995	SLIDE COVER	1						
45	VMP7613	BELT ANGLE (REAR)	1						
46	VMP8327	HANDLE HOLD ANGLE (REAR)	1						
103	VYK4H37	MIC CASE UNIT	1						
104	VMP8326	HANDLE HOLD ANGLE (FRONT)	1						
105	VJF1526	CABLE CLAMPER	1						
106	VG07110	MIC SPACER	1						
107	VMP8329	MIC JACK SHIELD	1						
108	VWJ2045	OPERATION CN JACK FPC	1						
109	VMC1288	SHOE SPRING	1						
110	VMP2407	SHOE HOLD PLATE	1						
111	VG06038	MIC HOLDER PLATE	1						
113	VEE1J71	HANDLE ZOOM WIRE UNIT	1						
114	VKH0415	HANDLE COVER	1						
115	VG08868	ZOOM BUTTON	1						
116	VMS7039	ZOOM SHAFT	1						
117	VG00048	ZOOM BUTTON SPACER	1						
118	VGU0H12	SUB REC BUTTON	1						
119	VMX3854	NYLON WASHER	1						
120	XUC2FP	E-RING	1						
121	VG07109	SHEET	2						
122	VG07109	SCREW	1						
B10	XQN2+CJ6FJK	SCREW	1						
B11	XQN2+CJ6FJK	SCREW	1						
B12	XQN2+CJ6FJK	SCREW	1						
B13	XQN2+CJ6FJK	SCREW	1						
B14	XQN2+CJ6FJK	SCREW	1						
B15	XTB3+10GFJK	SCREW	1						
B16	XTB3+10GFJK	SCREW	1						
B17	XTB3+10GFJK	SCREW	1						
B18	XTB3+10GFJK	SCREW	1						
B19	XTB3+10GFJK	SCREW	1						
B20	XQS2+AJ7FJK	SCREW	1						
B21	XQS2+AJ7FJK	SCREW	1						
B22	XQS2+AJ7FJK	SCREW	1						
B23	XQS2+AJ7FJK	SCREW	1						
B24	XQN2+B3FJK	SCREW	1						
B25	XTN3+8GFJK	SCREW	1						
B26	XTN3+8GFJK	SCREW	1						
B27	XYN26+K6FJ	SCREW	1						
B28	XYN26+K6FJ	SCREW	1						
B29	XTV4+8GFJ	SCREW	1						
B30	XTV4+8GFJ	SCREW	1						
B89	XQN2+B4FN	SCREW	1						
B90	XQN2+B4FN	SCREW	1						
B91	XQN2+B4FN	SCREW	1						
B92	XQN2+B4FN	SCREW	1						
B93	XSB26+4FN	SCREW	1						
B94	XSB26+4FN	SCREW	1						
B95	XQN2+B3FJK	SCREW	1						
B96	XQS2+AJ7FJK	SCREW	1						
B97	XQS2+AJ7FJK	SCREW	1						
B98	XQS2+AJ7FJK	SCREW	1						
B99	XQS2+AJ7FJK	SCREW	1						
B100	XQN2+BJ8FN	SCREW	1						
B101	XQN2+BJ8FN	SCREW	1						
B112	XTB3+10GFJK	SCREW	1						
B113	XTB3+10GFJK	SCREW	1						
B114	XTB3+10GFJK	SCREW	1						
B115	XTB3+10GFJK	SCREW	1						
B140	XTV4+8GFJ	SCREW	1						
B141	XTV4+8GFJ	SCREW	1						
B151	XQN2+B5FN	SCREW	1						
B152	XQN2+B5FN	SCREW	1						

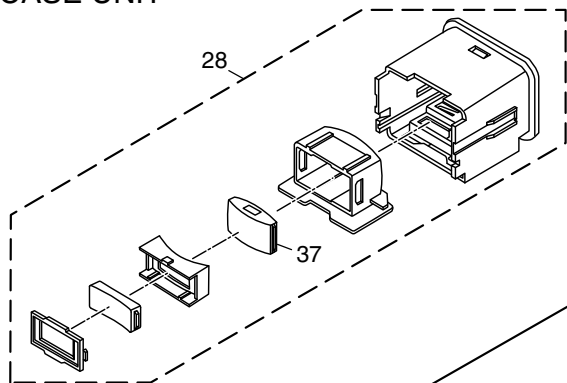
S7.4. Cover Section



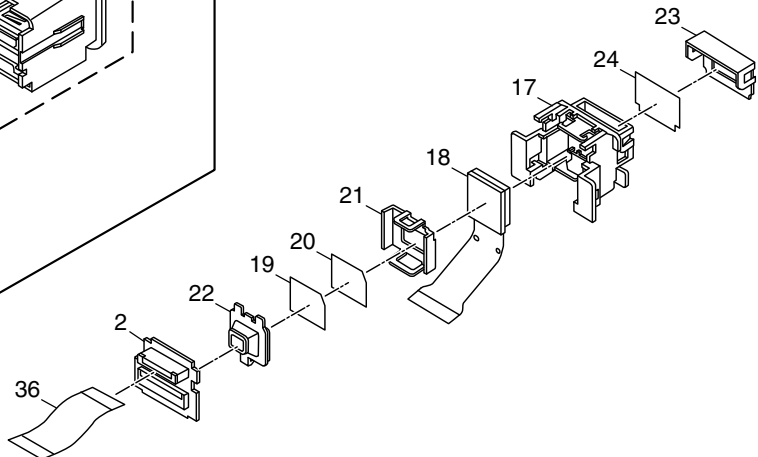
S7.5. EVF Section



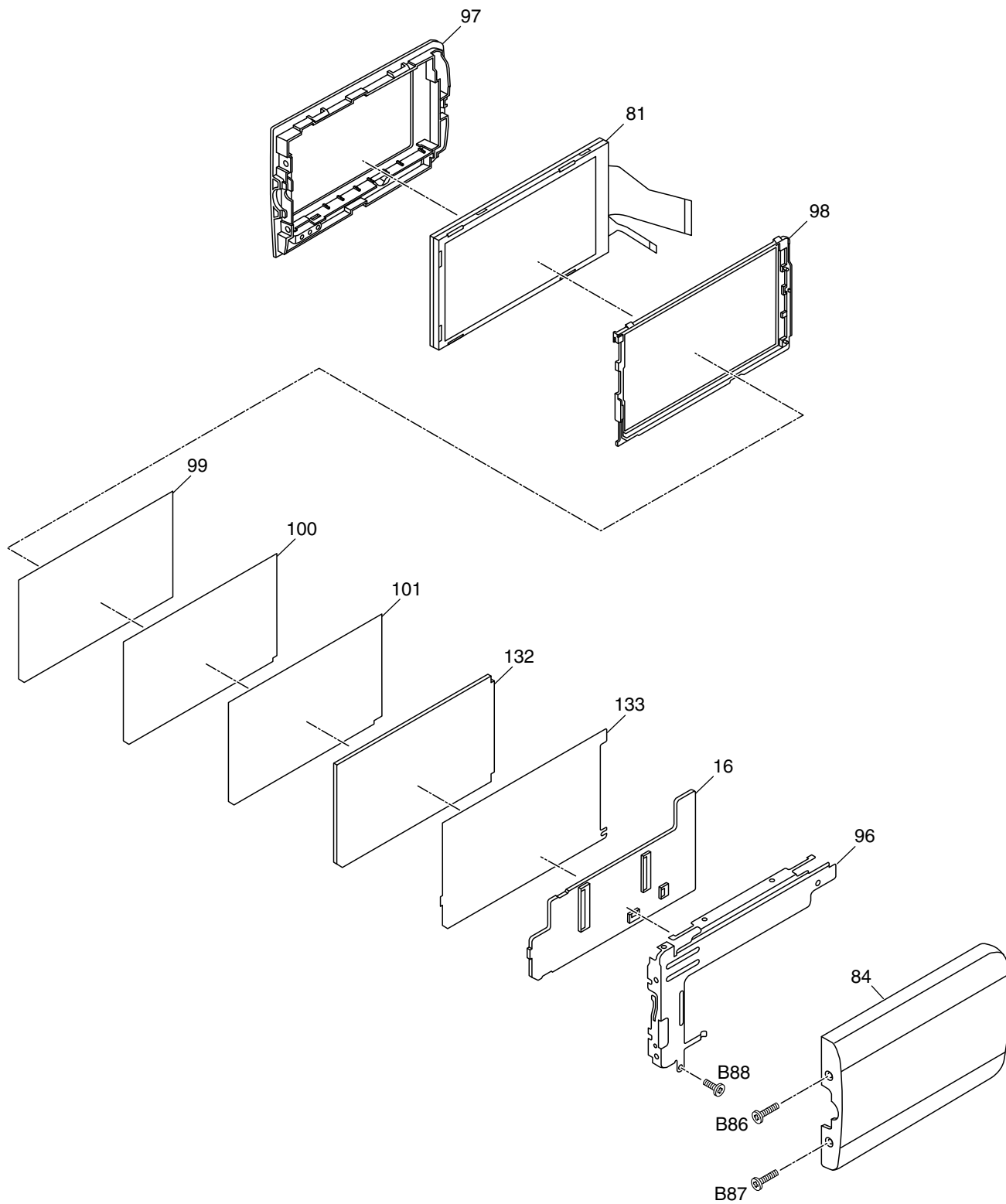
EVF ANGLE ADJ.
CASE UNIT



EVF UNIT



S7.6. LCD Section



Components identified with the mark \triangle have the special characteristics for safety. When replacing any of these components, use only the same type.

S7.7. Packing Parts and Accessories Section

