

For viewing HD programming (Plasma TV)

Do you have an HD signal?

This HDTV requires a High Definition (HD) signal to provide an optimum viewing experience.* To view HD programming, make sure you have access to an HD signal.

HD signals are available 3 different ways:

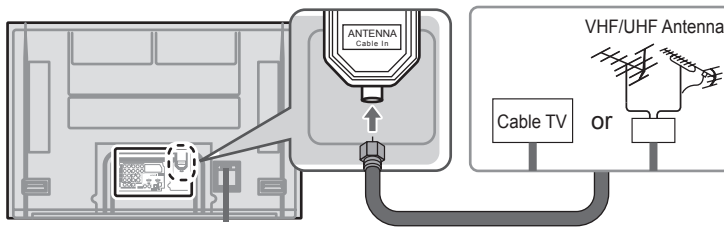
- (1) Cable --- Contact your local cable service provider to subscribe to HD programming.*
- (2) Satellite --- Contact your local satellite TV service provider to subscribe to HD programming.*
- (3) Over-the-Air Antenna (ATSC) --- Optional over-the-air antenna is required for ATSC reception.

* Additional equipment and/or subscription fees may apply.

To View HD Programming Using Over-the-Air Antenna or Direct Cable

1 Antenna or Direct Cable Connection

With the TV power off



Note: With direct Cable connection, you will not be able to receive channels that require a Cable box or a CableCARD. Please contact your local Cable service provider for information about services available in your area.

2 First Time Setup

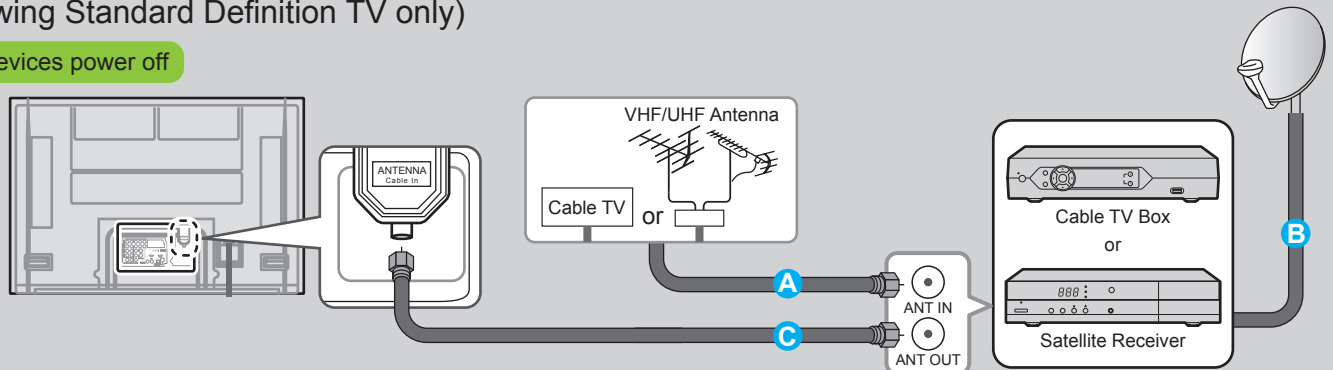
- 1 Turn the TV power ON
- 2 Program the channels following the instructions in the First Time Setup screen

📖 (Refer to the "First Time Setup" in the Operating Instructions)

Standard Definition Cable Box and/or Satellite Receiver connections

(For viewing Standard Definition TV only)

With all devices power off



- 1 Turn the power to all devices ON
- 2 Do not complete the First Time Setup. Instead, press EXIT to exit from the First Time Setup and manually program the TV to CH3 or CH4 📖 (Refer to "Editing and Setting Channels" in the "Advanced Features" section of the Operating Instructions)

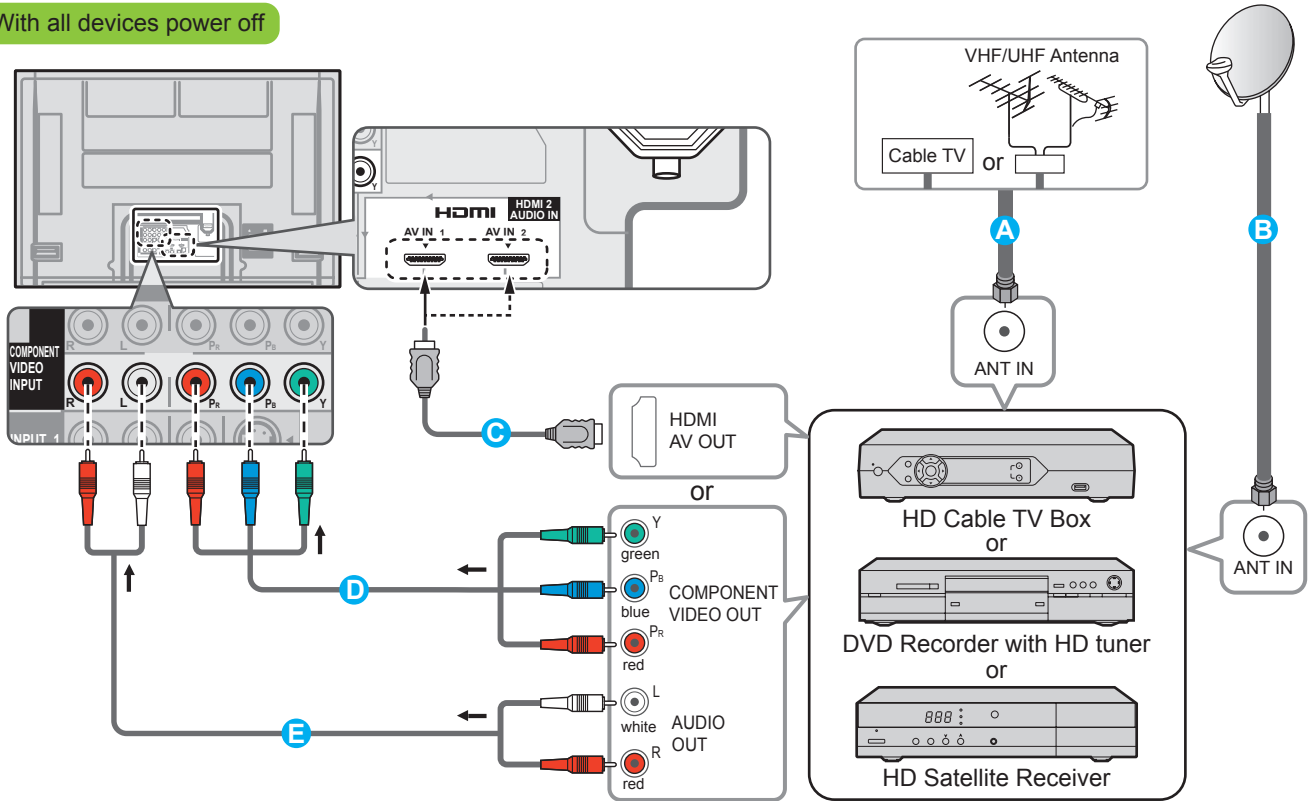
Note: As you are connecting a standard definition device, none of these connections will provide a high definition video signal to the TV.

To View HD Programming Using External HD Equipment

1

High Definition Cable Box, Satellite Receiver, or DVD Player/Recorder

With all devices power off



Note: • Other connections (Refer to “Basic Connection” section in the Operating Instructions.).
• If your device has a DVI connector, an HDMI-DVI conversion cable may be necessary.

2

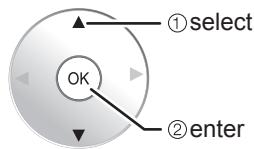
Input Select

- 1 Turn the power to all devices ON
- 2 Press EXIT to exit the First Time Setup screen
- 3 Press TV/VIDEO to display Input Select menu
- 4 Press ▲ or ▼ to highlight the input your device is connected to.
- 5 Press OK to select the Input

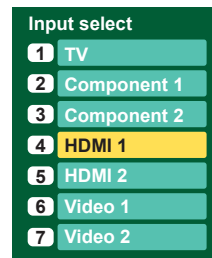
Note: You may also press TV/VIDEO then the number corresponding to the Input, such as TV/VIDEO **4** to go to HDMI 1.



Example:
(TH-42PX77U)
(TH-50PX77U)



• For details, see the Operating Instruction (“Watching Videos and DVDs”).



• This menu screen may be different from the actual screen.



If you have any questions contact
(U.S.A.)1-888-972-6276
(Canada)1-800-561-5505