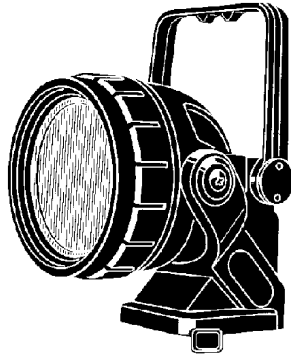


Service Manual

Lantern



EY3793

SPECIFICATIONS

Bulb	: Xenon bulb (7.2V, 0.75A)
Brightness	: Approx. 5000lux
Dimensions (excluding battery pack)	: 155(D) × max. 203(H) × 143(W)mm (6-7/64"(D) × max. 7-63/64"(H) × 5-1/16"(W))
Weight (excluding battery pack)	: 0.42kg (0.43lb)

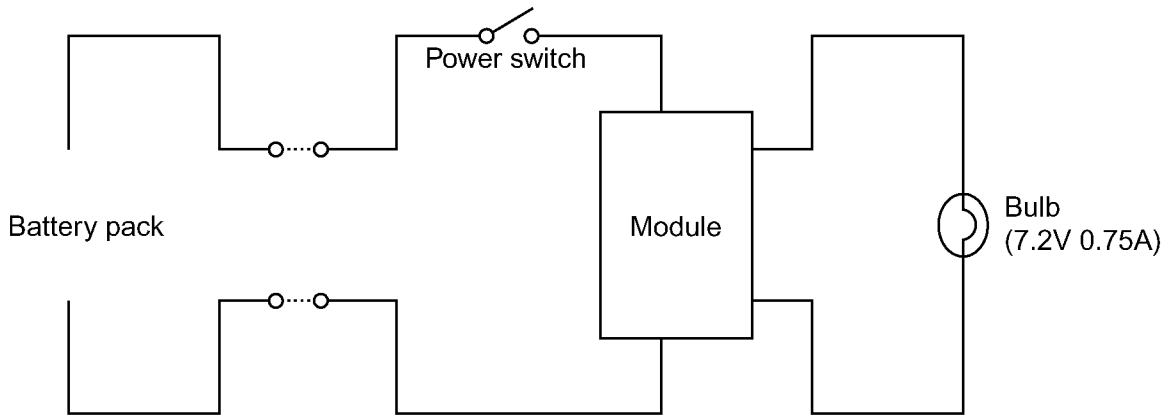
WARNING

This service information is designed for experienced repair technicians only and is not designed for use by the general public. It does not contain warnings or cautions to advise non-technical individuals of potential dangers in attempting to service a product. Products powered by electricity should be serviced or repaired only by experienced professional technicians. Any attempt to service or repair the product or products dealt with in this service information by anyone else could result in serious injury or death.

CONTENTS

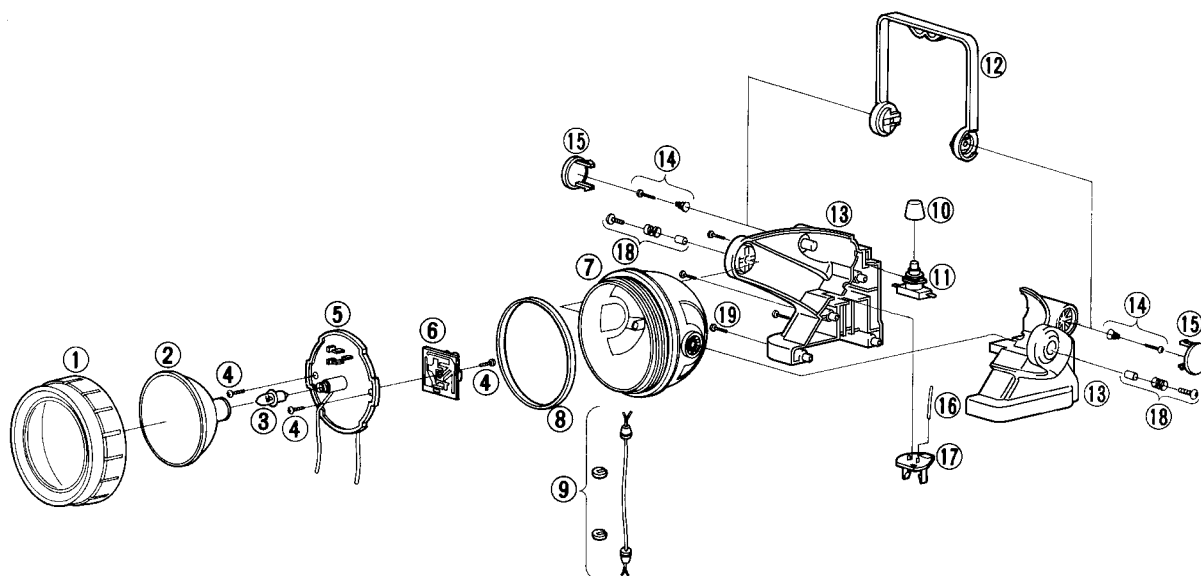
	Page	Page
1 SCHEMATIC DIAGRAM	2	2 EXPLODED VIEW & REPLACEMENT PARTS LIST 3

1 SCHEMATIC DIAGRAM



2 EXPLODED VIEW & REPLACEMENT PARTS LIST

2.1. EXPLODED VIEW



2.2. REPLACEMENT PARTS LIST

NOTE:

*A = available as an optional accessory

*B = only available as set

*C = available individually

Ref. No.	Part No.	Part Name & Description	Remarks	Per Unit
1	EY3790K0547	SHADE		1
2	EY3790S3757	REFLECTOR		1
3	EYMB-72P75X	BULB	*B 7.2V 0.75A	2
4	EY6261B9057	TAPPING SCREW (K3-10)	*C	3
5	EY3790L2587	LAMP HOLDER BASE		1
6	EY3793L2108	MODULE		1
7	EY3790K3057	LAMP CASE		1
8	EY3790K0797	O-RING		1
9	EY3790L2897	JUNCTION CORD		1
10	EY3790K3257	SWITCH CAP		1
11	EY3790L2007	POWER SWITCH		1
12	EY3790K3247	HANDLE		1
13	EY3793K3078	HOUSING AB SET		1
14	EY3790L0167	SPRING/SCREW SET	*B	2
15	EY3790K3447	SCREW CAP	*B	2
16	EY3790L2967	LEAD WIRE (RED)		1
17	EY3790L2157	TERMINAL PLATE		1
18	EY3790K0177	SPRING/COLLAR/SCREW SET	*B	2
19	EY3790K9037	TAPPING SCREW (K3-20)	*C	4
-	EY3793K8008	INDIVIDUAL BOX		1
-	EY3793K8108	INSTRUCTION MANUAL		1