

Specification Data

Panasonic Ventilation Fan



Description

Ventilating fan shall be Low Noise ceiling mount type rated for continuous run. Fan shall be Energy Star rated and certified by the Home Ventilating Institute (HVI). Evaluated by Underwriters Laboratories and conform to both UL and cUL safety standards.

FV-05VQ2 (50 cfm)

Motor/Blower:

- Four-pole totally enclosed condenser motor rated for continuous run.
- Power Rating shall be 120 volts and 60 hz.
- Fan shall be UL listed for tub/shower enclosure when used with a GFCI branch circuit wiring.
- Motor equipped with thermal-cutoff fuse.
- Removable with permanently lubricated plug-in motor.

Housing:

- Rust proof paint, galvanized steel body.
- Detachable 4" diameter duct adapter.
- Built in backdraft damper.
- Expandable extension bracket up to 26".
- Double hangar bar system allowing for ideal positioning.

Grille:

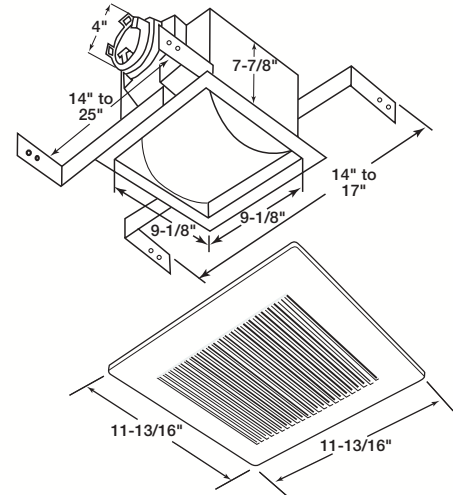
- Attractive design using ABS material.
- Attaches directly to housing with torsion springs.

Warranty:

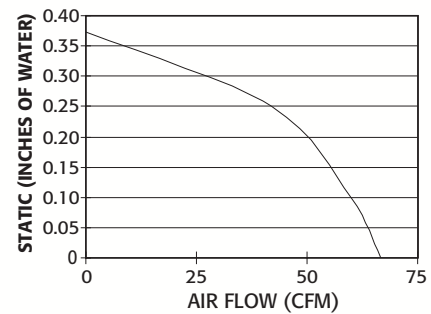
- The factory warranty shall be a minimum of 3 years limited warranty on parts.

Typical Specifications:

Ventilating fan shall be of the ceiling mount, Energy Star rated type, with no less than 60 CFM and no more than 0.3 sone as certified by the Home Ventilating Institute (HVI) at 0.1 static pressure in inches water gauge. Power consumption shall be no greater than 14 watts and Energy Star rated with efficiency rating of no less than 4.3 cfm/watt. The motor shall be totally enclosed, four pole condenser type engineered to run continuously. Power rating shall be 120v/60Hz. Duct diameter shall be no less than 4". Fan shall be UL and cUL listed for tub/shower enclosure when used with GFCI branch circuit wiring.



Fan Curve FV-05VQ2



Specifications:		
	FV-05VQ2	
Static Pressure in inches w.g.	0.1"	0.25"
Air Volume (CFM)	60	44
Noise (sones)	<0.3	NA
Power Consumption (watts)	14	13
Energy Efficiency: CFM's / Watt	4.3	3.4
Speed (RPM)	850	1100
Energy Star Rated	Yes	
Washington State VIAQ Code	Yes	

For Complete Installation Instructions Visit www.panasonic.com/building



Model	Quantity	Comments	Project:
			Location:
			Architect:
			Engineer:
			Contractor:
			Submitted by:
			Date: