

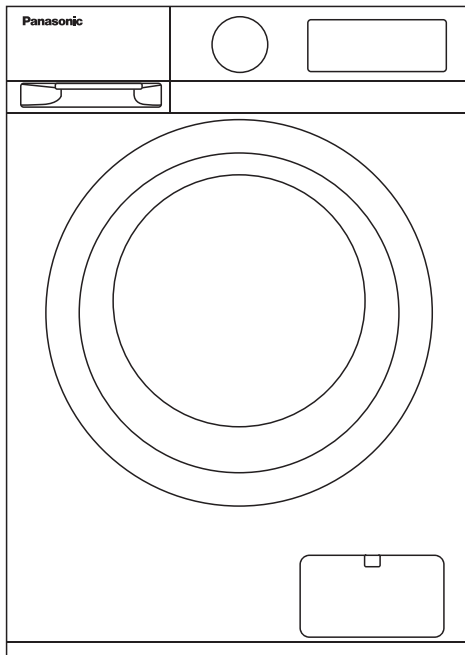
Panasonic®

Operating Instructions FRONT LOAD WASHING MACHINE

Model No: NA-147MG4*

NA-148MG4*

Thank you for purchasing this product.



*Picture is only for illustration

* LAS/LAE -Silver
* WAS/WAE -White



Before operating this unit, please completely read these instructions especially the **Safety Precautions and Important Instructions**.

CONTENTS

SAFETY INSTRUCTIONS	02
PRODUCT OVERVIEW	06
QUICK START GUIDE	07
PRODUCT INSTALLATION	09
OPERATION INSTRUCTIONS	13
CLEANING AND MAINTENANCE	24
TROUBLESHOOTING	28
SPECIFICATIONS	29
RAT PANEL INSTALLATION INSTRUCTION	30
DISPOSAL AND RECYCLING	31



Read all instructions and explanations before use. Follow the instructions carefully. Keep the operation instructions handy for later use. If the appliance is sold or passed on then ensure that the new owner always receives these operation instructions.

SAFETY INSTRUCTIONS

- This appliance is not intended for use by persons (including children) with reduced physical, sensory or mental capabilities or lack of experience and knowledge unless they have been given supervision or instruction concerning use of the appliance by a person responsible for their safety.
- Children should be supervised to ensure that they do not play with the appliance.
- If the power cord is damaged, it must be replaced by the manufacturer, its service agent or similarly qualified persons in order to avoid a hazard.
- The new hose-sets supplied with the appliance are to be used and that old hose-sets should not be reused.
- The openings must not be obstructed by a carpet.
- This appliance is intended to be used in household and similar applications such as:
 - Staff kitchen areas in shops, offices and other working environments;
 - Farm houses;
 - By clients in hotels, motels and other residential type environments;
 - Bed and breakfast type environments;
 - Areas for communal use in blocks of flats or in launderettes.

For your safety, the information in this manual must be followed to minimize the risk of fire or explosion, electric shock, or to prevent property damage, personal injury or loss of life.

Explanation of Symbols



DANGER

This symbol indicates that there are dangers to the life and health of persons due to extremely flammable gas.



WARNING OF ELECTRICAL VOLTAGE

This symbol indicates that there is a danger to life and health of persons due to voltage.



WARNING

This combination of symbol and signal word indicates a potentially dangerous situation which may result in death or serious injuries unless it's avoided.

Never stop a tumble dryer before the end of the drying cycle unless all items are quickly removed and spread out so that the heat is dissipated.

The appliance must not be supplied through an external switching device, such as a timer, or connected to a circuit that is regularly switched on and off by a utility.



CAUTION

This combination of symbol and signal word indicates a potentially dangerous situation which may result in slight or minor injuries or damage to property and the environment.



NOTE

This combination of symbol and signal word indicates a potentially dangerous situation which may result in slight or minor injuries.



OBSERVE INSTRUCTIONS

This symbol indicates that a service technician should only operate and maintain this appliance in accordance with the operating instructions.

SAFETY INSTRUCTIONS

WARNING:

The Electric Shock!

- If the supply cord is damaged, it must be replaced by the manufacturer, its service agent or similarly qualified persons in order to avoid a hazard.
- The new hose-sets supplied with the appliance are to be used and that old hose-sets should not be reused.
- Before any maintenance the device, unplug the appliance from the mains.
- Always unplug the machine and turn off the water supply after use. The max. inlet water pressure, is 1.0 Mpa. The min. inlet water pressure, is 0.05 Mpa.
- To ensure your safety, power plug must be inserted into an earthed three-pole socket. Check carefully and make sure that your socket is properly and reliably earthed.
- Make sure that the water and electrical devices must be connected by a qualified technician in accordance with the manufacturer's instructions and local safety regulations.
- Plug must be accessible after installation.
- Pull out its plug and cut off water supply after the operation.
- Take care that power voltage and frequency shall be identical to those of washing machine.
- Glass door may be very hot during the operation. Keep kids and pets far away from the machine during the operation.
- Remove all packages and transport bolts before using the appliance. Otherwise, serious damage may result.
- The washing machine with single inlet valve only can be connected to the cold water supply. The product with double inlet valves should be correctly connected to the hot water and cold water supply.
- Do not use any socket with rated current less than that of appliance. Never pull out power plug with wet hand.

Risk to Children!

- This appliance is not intended for use by persons (including children) with reduced physical, sensory or mental capabilities or lack of experience and knowledge unless they have been given supervision or instruction concerning use of the appliance by a person responsible for their safety.
- Children of less than 3 years should be supervised to ensure that they do not play with appliance.
- Animals and children may climb into the machine. Check the machine before every operation.
- Kids should be supervised that they do not play with the appliance.

Risk of Explosion!

- Do not wash or dry articles that have been cleaned in, washed in, soaked in, or dabbed with combustible or explosive substances (such as wax, oil, paint, gasoline, degreasers, dry-cleaning solvents, kerosene, etc.) This may result in fire or explosion.
- Before hand thoroughly rinse items of washing by hand.

CAUTION!

Installing the Product!

- This washing machine is for indoor use only.
- It isn't intended to be built-in using.
- Washing machine shall not be installed in bath room or very wet rooms as well as in the rooms with explosive or caustic gases.
- Remove all packages and transport bolts before using the appliance. Otherwise, serious damage may result.
- The washing machine with single inlet valve only can be connected to the cold water supply. The product with double inlet valves should be correctly connected to the hot water and cold water supply.
- Plug must be accessible after installation.

Risk of Damaging Appliance!

- Your product is only for home use and is only designed for the textiles suitable for machine washing.
- Do not climb up and sit on top cover of the machine.
- Do not lean against machine door.
- Cautions during Handling Machine:
 1. Transport bolts shall be reinstalled to the machine by a specialized person.
 2. The accumulated water shall be drained out of the machine.
 3. Handle the machine carefully. Never hold each protruded part on the machine while lifting. Machine door can not be used as the handle during the conveyance.
 4. This appliance is heavy. Transport with care.
 5. A precaution indicates that the hands shall not be inserted into running water-extracting tub.
 6. A precaution indicates that the appliance shall not be installed at a humid place.
- Please do not close the door with excessive forces. If it is found difficult to close the door, please check if the clothes are put in or distributed well.
- It is forbidden to wash carpets.

Operating the Appliance!

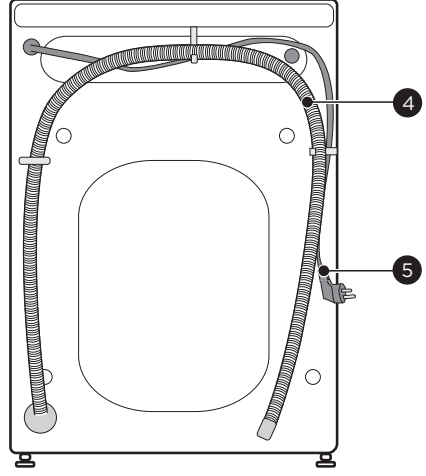
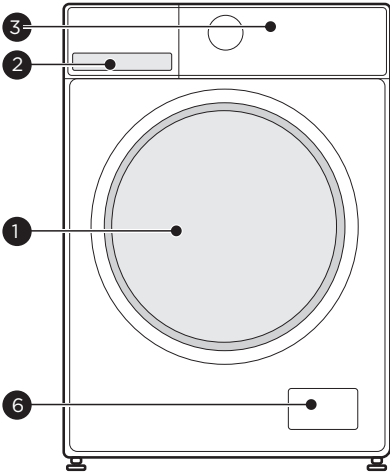
- Before washing the clothes at first time, the product shall be operated in one round of the whole procedures without the clothes inside.
- Flammable and explosive or toxic solvents are forbidden.
- Gasoline and alcohol etc. shall not be used as detergents.
- Please only select the detergents suitable for machine washing, especially for drum.
- Make sure that all pockets are emptied. Sharp and rigid items such as coin, brooch, nail, screw or stone etc. may cause serious damages to this machine.
- Please check whether the water inside the drum has been drained before opening its door. Please do not open the door if there is any water visible.
- Be careful of burning when the product drains hot washing water.
- Never refill the water by hand during washing.
- After the program is completed, Please wait for two minutes to open the door.

SAFETY INSTRUCTIONS

IMPORTANT STEPS WHEN MOVING THE APPLIANCE

- Unplug the appliance and close the water inlet tap.
- Check if the door and the detergent dispenser are closed properly.
- Remove the water inlet pipe and the outlet hose from the house installations.
- Let the water drain completely from the appliance (see “Cleaning the Drain Pump Filter”)
- Important: Re-install the 4 transport bolts in the back of the appliance.
- This appliance is heavy. Transport with care. Never hold any protruding part of the machine when lifting. The machine door can not be used as a handle.

PRODUCT OVERVIEW



1	Door
2	Detergent dispenser
3	Control panel

4	Drain hose
5	Power supply cord
6	Service flap

NOTE

The product picture is for illustration only, please refer to real product as reference.

Accessories

4 x Cover caps	1 x Supply hose cold water	1 x Owner's manual	Drain hose support (optional)	1 x Rat panel

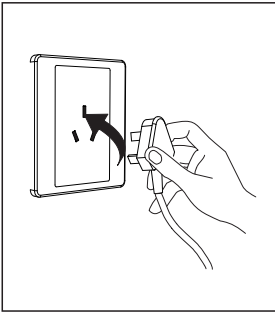
QUICK START GUIDE

⚠ CAUTION

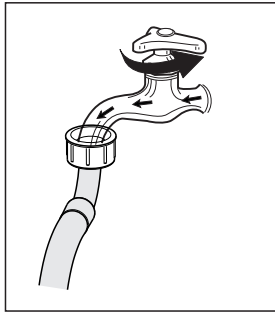
- Before washing, please make sure the machine is installed properly.
- Your appliance was thoroughly checked before it left the factory. To remove any residual water and to neutralize potential odors, it's recommended to clean your appliance before first use. For this reason, recommended to clean the inner drum by running the "Drum Clean" or other program with the optional temperature of 90 °C. Be careful not to put laundry and detergent in the machine.

1. Before Washing

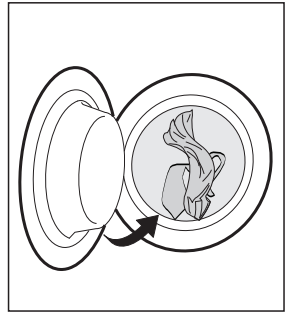
1. Plug in



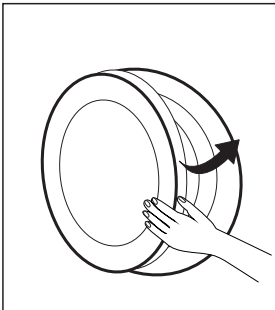
2. Open tap



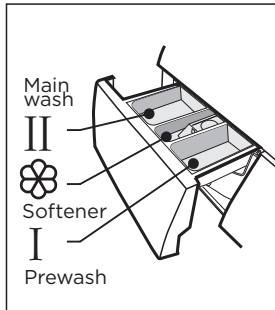
3. Load



4. Close door



5. Add detergent

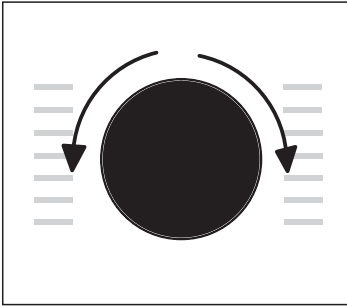


💡 NOTE

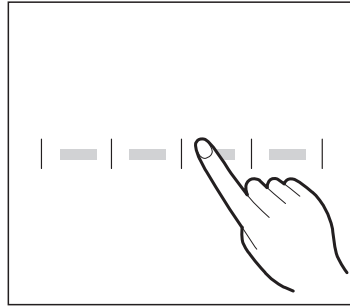
Detergent need to be added in compartment I if the pre-wash function is selected.

2. Washing

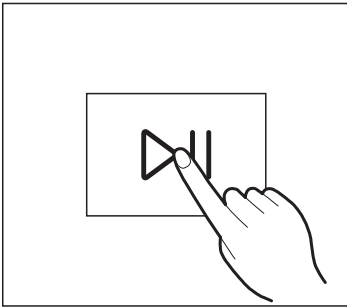
1. Select programme



2. Select function or remain default settings



3. Press Start/Pause to start the program



NOTE

1 : If default is selected, step 2 can be skipped.

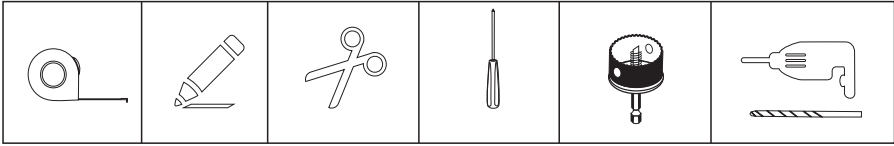
2: The function button line chart is for reference only, please refer to real product as standard.

3. After Washing

Buzzer beep and “End” on display.

PRODUCT INSTALLATION

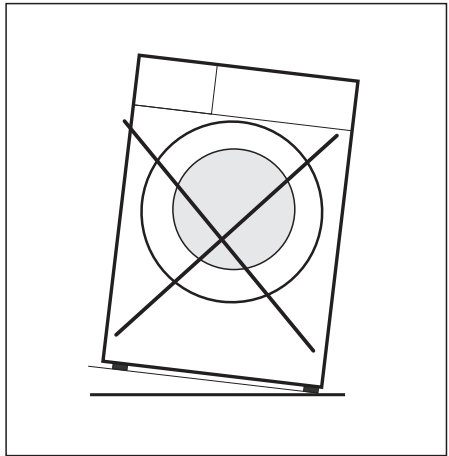
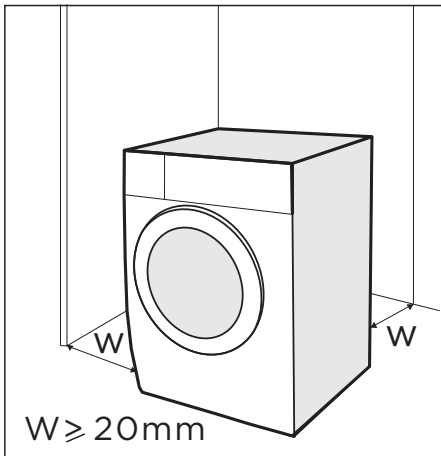
Tools needed for self installation (not included with the product)



Installation Area

WARNING

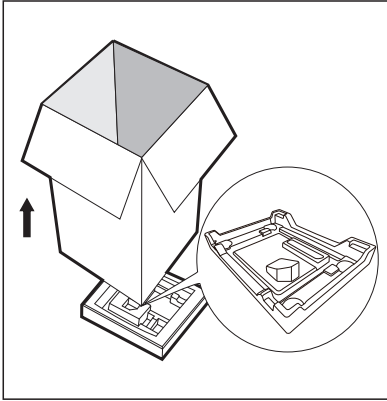
- Stability is important to prevent the product from wandering!
- Make sure the machine is standing leveled and stable.
- Make sure that the product does not stand onto the power cord.
- Make sure to maintain the minimum distances from the walls as shown in the picture.



Before installing the machine, the location characterized as follows shall be selected:

1. Rigid, dry, and level surface.
2. Avoid direct sunlight.
3. Sufficient ventilation.
4. Room temperature is above 5 °C .
5. Keep far away from the heat sources such as coal or gas burning appliances.

Unpacking the Machine



⚠ WARNING

- Packaging material (e.g. Films, Styrofoam) can be dangerous for children.
- There is a risk of suffocation ! Keep all packaging well away from children.

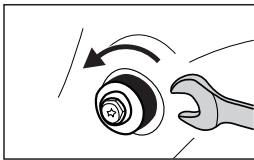
1. Remove the cardboard box and styrofoam packing.
2. Lift the machine and remove the base packaging.
3. Remove the tape securing the power supply cord and drain hose.
4. Remove the inlet hose from the drum.

Remove Transport Bolts

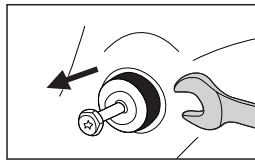
⚠ WARNING

You must remove the transport bolts from the backside before using the product.

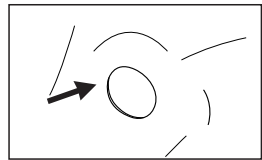
1. Loosen the 4 transport bolts with a spanner.



2. Remove the bolts including the rubber parts and keep them for future use.



3. Close the holes using the cover caps.

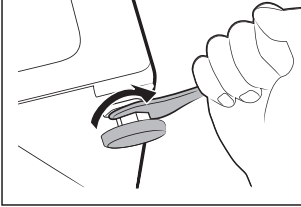


PRODUCT INSTALLATION

Levelling the Machine

WARNING

The lock nuts on all four feet must be screwed tightly against the housing.



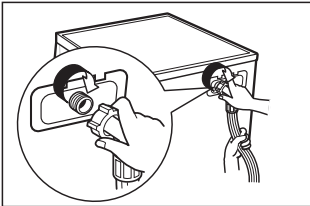
1. Loosen the lock nut.
2. Turn the foot until it reaches the floor.
3. Adjust the legs and lock the nuts with a spanner.
Make sure the machine is level using a spirit level.

Connect the Water Supply Hose

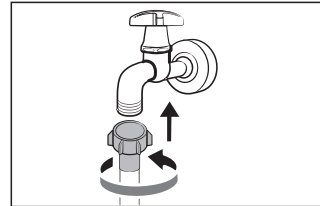
WARNING

To prevent leakage or water damage, follow the instructions in this chapter.

- Do not kink, crush or modify water inlet hose.



Connect the water supply hose to the water inlet valve and a water tap with cold water as indicated.



NOTE

- Connect manually, do not use tools. Check if the connections are tight.

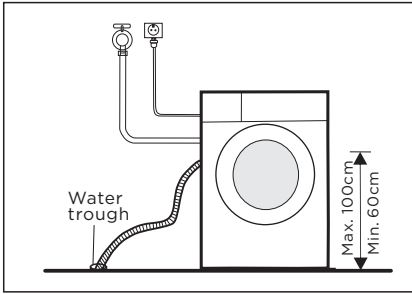
Drain Hose

WARNING

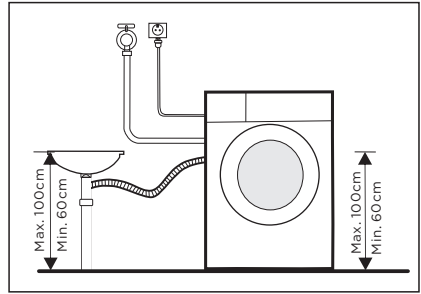
- Do not kink or protract the drain hose.
- Position drain hose properly ,otherwise damage might result in water leakage.
- It is not allowed to remove the buckle of drain pipe.

There are two ways to place the end of drain hose:

1. Put it into the water trough.



2. Connect it to the branch drain pipe of the trough.

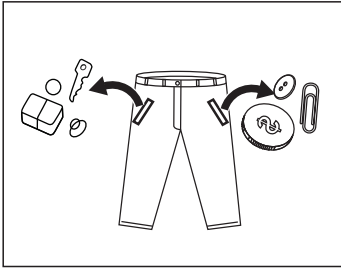


OPERATION INSTRUCTIONS

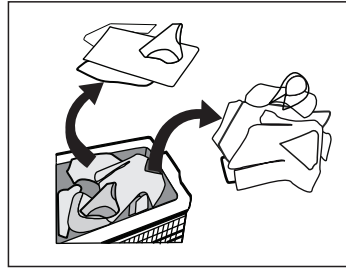
Before Each Washing

- The ambient temperature of the machine should be 5°C-40°C. If used under 0°C, the inlet valve and draining system may be damaged. If the machine is installed under freezing conditions, it should be transferred to normal ambient temperature to ensure the water supply hose and drain hose can unfreeze before use.
- Please check your laundry care labels and the detergent use instructions before wash. Use non-foaming or less-foaming detergent suitable for machine properly.

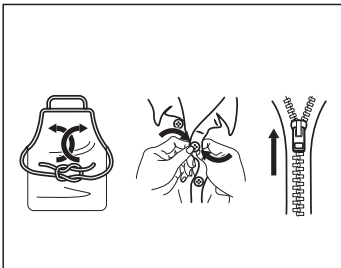
1. Take all items out of the pockets



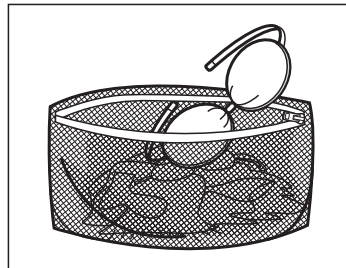
2. Sort laundry according to color and textile type



3. Tie together long textile strips and belts, close zips and button



4. Put small items into a laundry bag

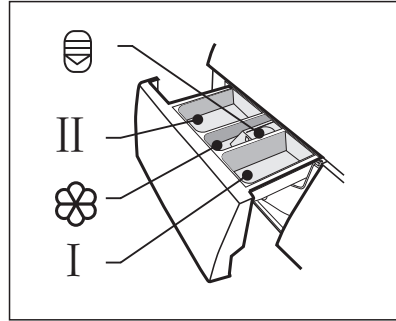


WARNING

- Do not wash or dry articles that have been cleaned in, washed in, soaked in, or dabbed with combustible or explosive substances like wax, oil, paint, gasoline, alcohol, kerosene, and other flammable materials.
- Washing single clothes items may easily create big eccentricity. Therefore it is suggested to add one or two more laundry items to the wash so that spin can be done smoothly.
- Do not wash, spin water-proof seats, mats ,or clothing.

Detergent Dispenser

- I Pre wash
- II Main wash
- ☼ Softener
- ⊖ Release button to pull out the dispenser



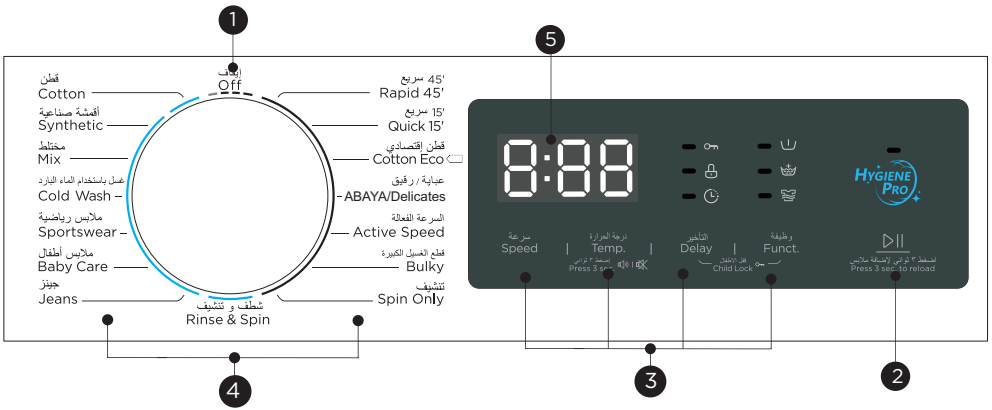
⚠ CAUTION

- Detergent only need to be added in “compartment I ”after selecting pre-wash function.

Programme	I	II / Ⓛ	☼	Programme	I	II / Ⓛ	☼
Cotton	○	●	○	Spin Only			
Synthetic	○	●	○	Bulky	○	●	○
Mix	○	●	○	Active Speed	○	●	○
Cold Wash	○	●	○	ABAYA/Delicates		●	○
Sportswear	○	●	○	Cotton Eco		●	○
Baby Care	○	●	○	Quick 15'		●	○
Jeans	○	●	○	Rapid 45'		●	○
Rinse & Spin			○				

- Means must
- Means optional

Control Panel



1 OFF

Turn the appliance on and off.

2 Start/Pause

Start or pause your programme.

3 Option

This allows you to select additional functions and will light when selected.

4 Programmes

Available according to the laundry type.

5 Display

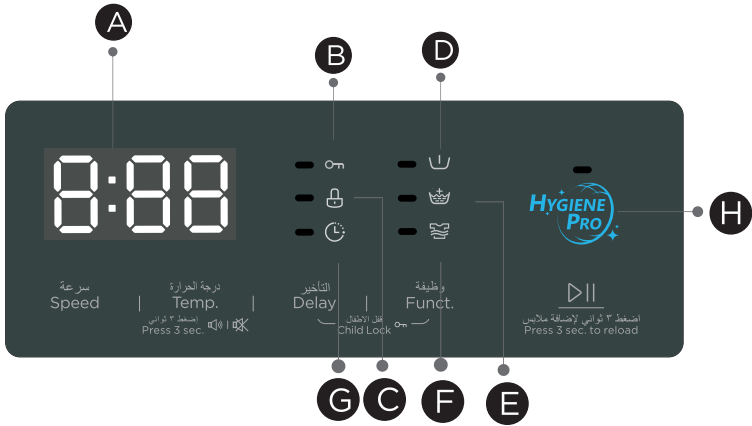
The display shows settings, estimated remaining time, options and status messages.

NOTE

- The Chart is reference only, please refer to real product as standard.

OPERATION INSTRUCTIONS

Display



A Display	Wash Time ٢5 Speed 400 End End	Delay Time 2H Error E30 Temp. 30
B Child Lock		C Door Lock
D Pre Wash		E Extra Rinse
F Strong Wash		G Delay
H HYGIENE PRO		

Option



Pre Wash

The Prewash function can get an extra wash before main wash, it is suitable for washing the extra dust which rises to surface of the clothes; You need to put detergent into the Case (I) when select it.



Extra Rinse

The laundry will undergo extra rinse once after you select it.



Strong Wash

Very dirty clothes can choose it, select it can increase the washing time and intensity to increase the washing effect.



HYGIENE PRO

When the HYGIENE PRO light is on, this function is automatically activated in the program. The Self-Clean function will be automatically activated during every washing cycle.

Programme	Option					Programme	Option				
	Delay	Extra Rinse	Pre Wash	HYGIENE PRO	Strong Wash		Delay	Extra Rinse	Pre Wash	HYGIENE PRO	Strong Wash
Cotton	<input type="radio"/>	<input type="radio"/>	<input type="radio"/>	<input checked="" type="radio"/>	<input type="radio"/>	Spin Only	<input type="radio"/>				
Synthetic	<input type="radio"/>	<input type="radio"/>	<input type="radio"/>	<input checked="" type="radio"/>	<input type="radio"/>	Bulky	<input type="radio"/>	<input type="radio"/>	<input type="radio"/>		<input type="radio"/>
Mix	<input type="radio"/>	<input type="radio"/>	<input type="radio"/>	<input checked="" type="radio"/>	<input type="radio"/>	Active Speed	<input type="radio"/>	<input type="radio"/>	<input type="radio"/>		<input type="radio"/>
Cold Wash	<input type="radio"/>	<input type="radio"/>	<input type="radio"/>	<input checked="" type="radio"/>	<input type="radio"/>	ABAYA/Delicates	<input type="radio"/>	<input type="radio"/>			
Sportswear	<input type="radio"/>	<input type="radio"/>	<input type="radio"/>	<input checked="" type="radio"/>		Cotton Eco	<input type="radio"/>	<input type="radio"/>			
Baby Care	<input type="radio"/>	<input type="radio"/>	<input type="radio"/>	<input checked="" type="radio"/>	<input type="radio"/>	Quick 15'	<input type="radio"/>				
Jeans	<input type="radio"/>	<input type="radio"/>	<input type="radio"/>	<input checked="" type="radio"/>		Rapid 45'	<input type="radio"/>	<input type="radio"/>			
Rinse & Spin	<input type="radio"/>	<input type="radio"/>		<input checked="" type="radio"/>							

● Means must ○ Means optional

Other Functions

Temp.

Temp.
Press the button to regulate the temperature (Cold,20°C,30°C, 40°C,60°C,90°C).

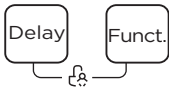
Speed

Speed
Press the button to change the speed.
1400: 0-400-600-800-1000-1200-1400

Programme	Default Speed(rpm)	Programme	Default Speed(rpm)
	1400		1400
Cotton	800	Spin Only	1000
Synthetic	800	Bulky	1000
Mix	800	Active Speed	800
Cold Wash	800	ABAYA/Delicates	800
Sportswear	800	Cotton Eco	1000
Baby Care	1000	Quick 15'	800
Jeans	800	Rapid 45'	800
Rinse & Spin	1000		



Child Lock
To avoid mis operation by children.



Press [Delay] and [Funct.] simultaneously for 3 sec until the buzzer beep. The child lock indicator switches on.



CAUTION

When the Child Lock is activated, the display will alternately show "CL" and the remaining time.

Pressing any other button will cause the Child Lock indicator to flash.

When the program ends, "CL" and "End" will alternate on the display.

The Child Lock deactivates the function of all buttons except the Child lock button!
Only the simultaneous pressing of the two buttons can deactivate the Child Lock!
Please deactivate the Child Lock before selecting a new program!



Reload

This operation can be executed during the washing progress. When the drum is still rolling and there is large amount of water with high temperature in the drum. The state is unsafe and the door cannot be opened forcefully. To Press [▶||] 3sec. to reload, and start the clothes adding in the midway function. Please follow the steps as below:

1. Wait until the drum stops rotation.
2. The door lock is unlocked.
3. Close the door when the clothes are reloaded and press the [Start/Pause] button.



Press [Start/Pause] 3 sec.

Reload the clothes

Start



CAUTION

- Don't use the Reload function when the water level over the edge of the inner tub or the temperature is higher.



Mute the buzzer



Press 3 sec. [Mute] | [Mute]

Choose the Programme

Press the [Temp.] button for 3sec., the buzzer is mute.

To act the buzzer function, press the button again for 3 seconds. The setting will be kept until the next reset.



CAUTION

- After Muting the buzzer function, the sounds will not be activated any more.

Delay

Delay

1. Select a programme.
2. Press the Delay button to choose the delaying time 0-24H.
3. Press [Start/Pause] to start the delay operation.



Choose programme

Setting time

Start

To cancel the Delay function, press the "Delay" button before starting the program until the display shows 0 H. If the program has already started, switch the appliance off and afterwards on and select a new programme.



CAUTION

- If there is any break in the power supply while the machine is operating, a special memory stores the selected programme. The machine will continue the programme when the power supply is re-established.

OPERATION INSTRUCTIONS

Programmes are available according to the laundry type.

Programmes	
Cotton	Hard-wearing textiles, heat-resistant textiles made of cotton or linen.
Synthetic	Wash synthetic articles, for example: shirts, coats, blending. While washing the knitting textiles, detergent quantity shall be reduced due to its loose string construction and easily forming bubbles.
Baby Care	Washing the baby's clothes, it can make the baby's wear cleaner and make the rinse performance better to protect the baby skin.
Jeans	Specially for jeans.
Mix	Mixed load consisting of textiles made of cotton and synthetics.
Sportswear	Washing the activewear.
Quick 15'	Extreme short time program, suitable for wash small quantity slight dirty clothes.
Rapid 45'	Washing few and not very dirty clothes quickly.
ABAYA/Delicates	For delicate, washable textiles, e.g. made of silk, satin, synthetic fibres or blended fabrics.
Active Speed	When you start this function, it will increase more foam in the bucket, then it will improve the wash performance.
Spin Only	Spins and drains the water..
Rinse & Spin	Rinses and then spins the laundry, and then drains the water.
Cotton Eco	Hard-wearing textiles, heat-resistant textiles made of cotton or linen. Energy-saving programme.
Bulky	This program is specially designed for washing bulky clothes like bedsheets.
Cold Wash	Washing brightly colored clothes, it can protect the colors better.

NOTE

- The Chart is reference only, please refer to real product as standard.
- When the programme is finished , "End" will flash on the display ,Please select the knob to the Off position.

Washing Programmes Table

Model:NA-147MG4* ; NA-148MG4*

Programme	Load (kg)		Temp.(°C)	Default Time (h:min)
	7.0	8.0		
	7.0	8.0	Default	7.0 kg/8.0 kg
Cotton	7.0	8.0	40	3:49
Synthetic	3.5	4.0	40	3:28
Mix	7.0	8.0	40	1:30
Cold Wash	3.5	4.0	Cold	1:08
Sportswear	3.5	4.0	20	0:57
Baby Care	7.0	8.0	60	1:52
Jeans	7.0	8.0	30	1:46
Rinse & Spin	7.0	8.0	-	0:30
Spin Only	7.0	8.0	-	0:12
Bulky	7.0	8.0	40	1:48
Active Speed	7.0	8.0	40	1:10
ABAYA/Delicates	2.5	2.5	30	0:50
Cotton Eco	7.0	8.0	30	0:59
Quick 15'	2.0	2.0	Cold	0:15
Rapid 45'	2.0	2.0	20	0:45

- The UAE Energy Efficiency class is : ★ ★ ★ ★ ★
 Energy test program: Cotton, Temp.:60 °C;
 Speed: 1400rpm, Other as the default.
 Half load for 7kg machine:3.5kg.
 Half load for 8kg machine:4.0kg.

NOTE

- The parameters in this table are only for user's reference. The actual parameters maybe different with the parameters in above mentioned table.

Product Fiche

Model	NA-147MG4*
Capacity	7 kg
Spin Speed	1400 rpm
Energy efficiency class	★★★★★
Annual energy consumption	63 kWh/year
Annual water consumption	6734 L/year
Spin- drying efficiency class	★★★★

Model	NA-148MG4*
Capacity	8 kg
Spin Speed	1400 rpm
Energy efficiency class	★★★★★
Annual energy consumption	89 kWh/year
Annual water consumption	8008 L/year
Spin- drying efficiency class	★★★★

CLEANING AND MAINTENANCE

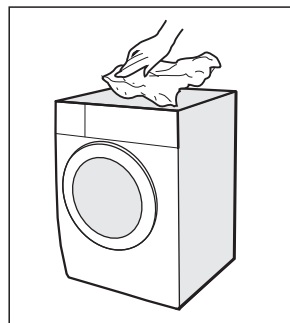
Cleaning and Care

WARNING

- Always unplug the appliance and close the water tap before cleaning and maintenance.

Cleaning the Cabinet

Proper maintenance on the machine can extend its working life. The surface can be cleaned with diluted non-abrasive neutral detergents when necessary. If there is any water overflow, use a towel to wipe it off immediately. Never use sharp items to clean the appliance.



CAUTION

- Never use abrasive or caustic agents. Such as formic acids or its diluted solvents or similar substances, like alcohol or chemical products.

Cleaning the Drum

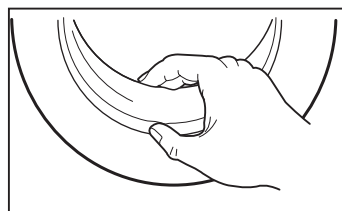
Any rust stains left inside the drum by metal articles must be removed immediately using chlorine-free detergents. Never use steel wool for cleaning the drum!

NOTE

- Keep any laundry away from the machine while cleaning the drum.

Cleaning the Door Seal and Glass

Wipe the glass and seal after each wash to remove lint and stains. If lint builds up it can cause leakages. Remove any coins, buttons and other objects from the seal after each wash. Clean the door seal and glass every month to ensure the normal operation of the appliance.

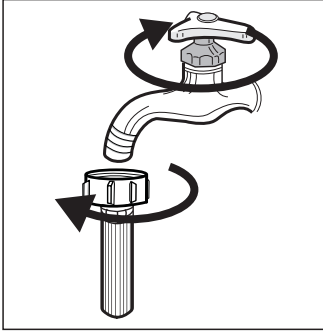


Cleaning the Inlet Filter

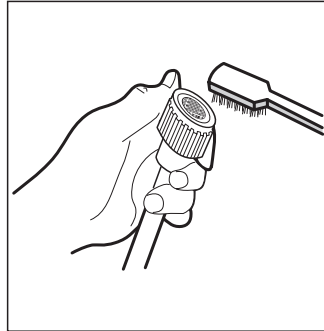
NOTE

- Diminishing water flow is a sign that the filter needs to be cleaned.

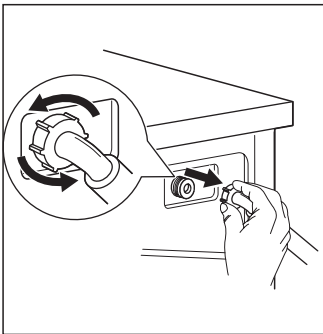
1. Close the tap and remove the water supply hose from it.



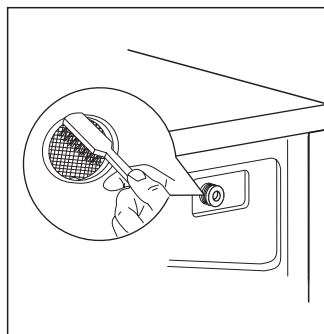
2. Clean the filter with a brush.



3. Unscrew the water supply hose from the backside of the machine. Pull out the filter with long nose pliers.




4. Use a brush to clean the filter.



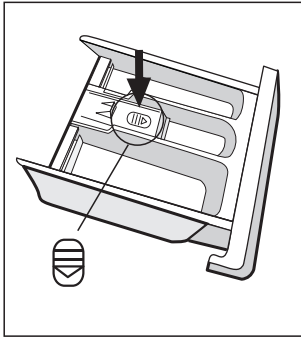
5. Reinstall the filter to the water inlet and reconnect the water supply hose.
6. Clean the Inlet filter every 3 months to ensure the normal operation of the appliance.

CLEANING AND MAINTENANCE

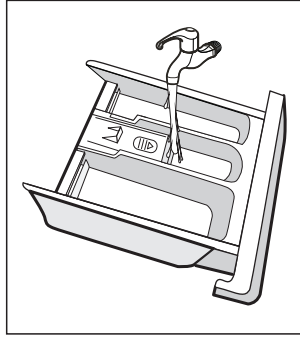
Cleaning the Detergent Dispenser

1. Press down the release [] on the softener cover and pull the dispenser drawer out of the recess. Clean the inside of the recess with a brush.
2. Lift the softener cover off the dispenser drawer and wash both items with water.
3. Restore the softener cover and push the drawer back into the recess.

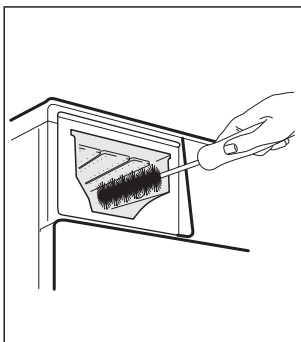
1. Press the release and remove the dispenser drawer



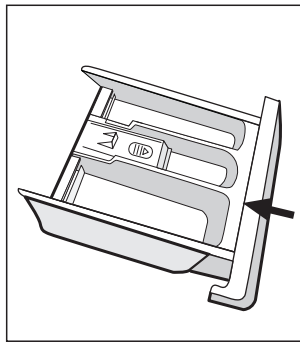
2. Clean the dispenser drawer and the softener cover under water



3. Clean the recess with a soft brush



4. Insert the dispenser drawer



NOTE

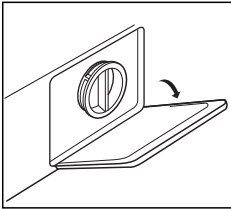
- Do not use abrasive or caustic agents to clean plastic parts.
- Clean the detergent dispenser every 3 months to ensure the normal operation of the appliance.

Cleaning the Drain Pump Filter

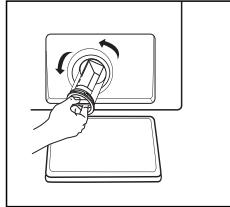
WARNING

- Make sure that the machine has finished the washing cycle and is empty. Switch it off and unplug it before cleaning the drain pump filter.
- Be careful of hot water. Wait for water cooling down. Risk of scalding!
- Clean the filter periodically every 3 months to ensure the normal operation of the appliance.

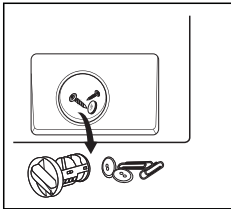
1. Open the lower cover cap



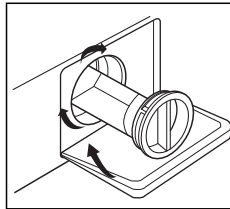
2. Open the filter by turning to the counter clockwise



3. Remove extraneous matter



4. Close the lower cover cap



CAUTION

- When the appliance is in use and depending on the programme selected there can be hot water in the pump. Never remove the pump cover during a wash cycle, always wait until the appliance has finished the cycle, and is empty. When replacing the cover, ensure it is securely re-tightened.

TROUBLESHOOTING

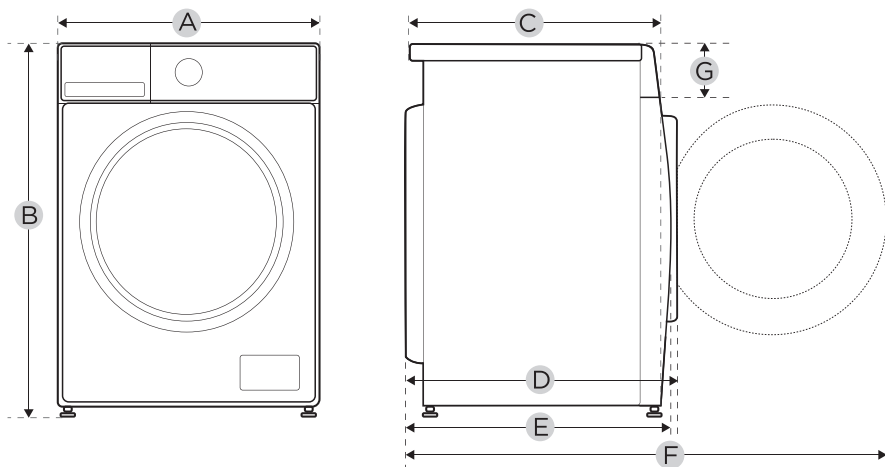
Whenever there is a problem with the appliance, check if you can solve it following the tables below. If the problem persists, please contact the customer service.

Description	Possible Cause	Solution
Appliance does not start	Door is not closed properly. Clothes are stuck.	Close the door properly and restart. Check the laundry.
Door can't be opened	Safety protection is activated.	Disconnect the power and restart.
Water leakage	Connections are not tight enough.	Check and fasten the water inlet pipe. Check and clean the outlet hose.
Detergent residues in the detergent dispenser	Detergent is damp and/or clotted.	Clean and wipe the detergent dispenser dry.
Indicator or display does not work	PC board or harness have connection problems.	Switch off the power and check if the mains plug is connected properly.
Abnormal noise	Fixing bolts are still in place. Floor is not solid or level.	Check if the fixing bolts have been removed. Make sure the appliance is installed on a solid and level floor.

Error Codes

Description	Possible Cause	Solution
E30	Door is not closed properly.	Close the door properly and restart.
E10	Water injecting problem during wash cycle.	Check if the water pressure is high enough. Straighten the water pipe. Clean the inlet valve filter.
E21	Overtime water draining	Check the drain hose for blockage.
E12	Water overflow	Restart the appliance.
EXX	Others	Restart the appliance. If problem persists, please contact the customer service.

SPECIFICATIONS



Model	NA-147MG4*	NA-148MG4*
Power Supply	220-240 V~, 50 Hz	220-240 V~, 50 / 60 Hz
MAX. Current	10 A	
Standard Water Pressure	0.05 MPa ~ 1 MPa	
Washing Capacity	7.0 kg	8.0 kg
Dimension		
A	595 mm	595 mm
B	850 mm	850 mm
C	495 mm	535 mm
Net Weight	59 kg	65 kg
Rated Power	1900 W	1900 W
Reference Dimension		
D	560 mm	600 mm
E	541 mm	581 mm
F	1005 mm	1045 mm
G	135 mm	135 mm

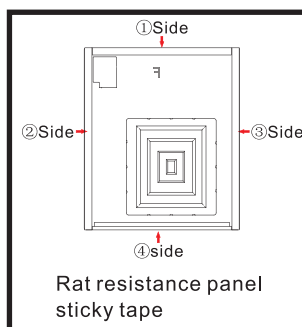
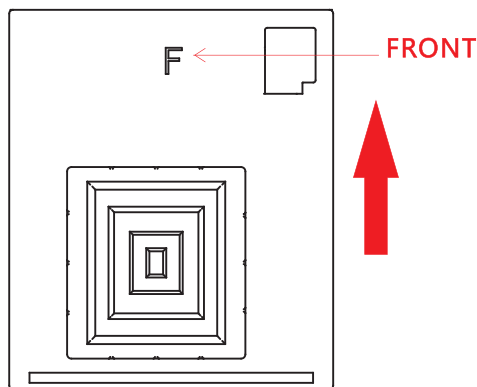
RAT PANEL INSTALLATION INSTRUCTION

Before disassembling the shipping bolt , the rat resistance panel should be installed.

Please follow the steps below to install the panel.

1. Incline the machine to a suitable angle for installation . Packaging pad can be used under the machine . When inclining the machine , make sure no damage to it.
2. Remove the tapes pasted on four sides of panel.
3. Adjust the panel as per marked direction to the correct position , make sure the mark " F " leads to the front of the machine.
4. Stick the panel to the machine.
5. Secure the panel with the screws provided in the accessory bag.

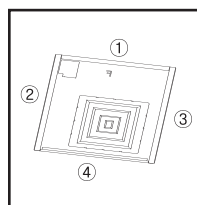
After all the steps above finished, please upright the machine to the correct position.



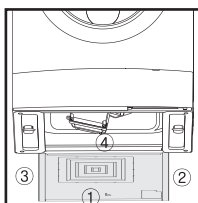
Arrow instruction of the inserting direction



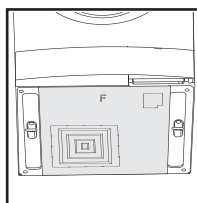
First step



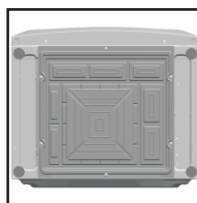
Second step



Third step



Fourth step



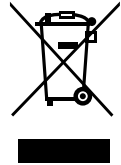
Last step
(Secure with screws)

DISPOSAL AND RECYCLING

Important Instructions for Environment

Compliance with the WEEE Directive and Disposing of the Waste Product:
This product complies with EU WEEE Directive (2012/19/EU). This product bears a classification symbol for waster electrical and electronic equipment (WEEE).

This symbol indicates that this product shall not be disposed with other household wastes at the end of its service life. Used device must be returned to official collection point for recycling of electrical electronic devices. To find these collection systems please contact to your local authorities or retailer where the product was purchased. Each household performs important role in recovering and recycling of old appliance. Appropriate disposal of used appliance helps prevent potential negative consequences for the environment and human health.



Compliance with RoHS Directive

The product you have purchased complies with EU RoHS Directive (2011/65/EU). It does not contain harmful and prohibited materials specified in the Directive.

Package Information

Packaging materials of the product are manufactured from recyclable materials in accordance with our National Environment Regulations. Do not dispose of the packaging materials together with the domestic or other wastes. Take them to the packaging material collection points designated by the local authorities.



Manufacturer & Importer : Panasonic Marketing Middle East & Africa FZE
Address : P.O. Box 17985, Jebel Ali Free Zone, Dubai, United Arab Emirates

M0723-00
Printed in China