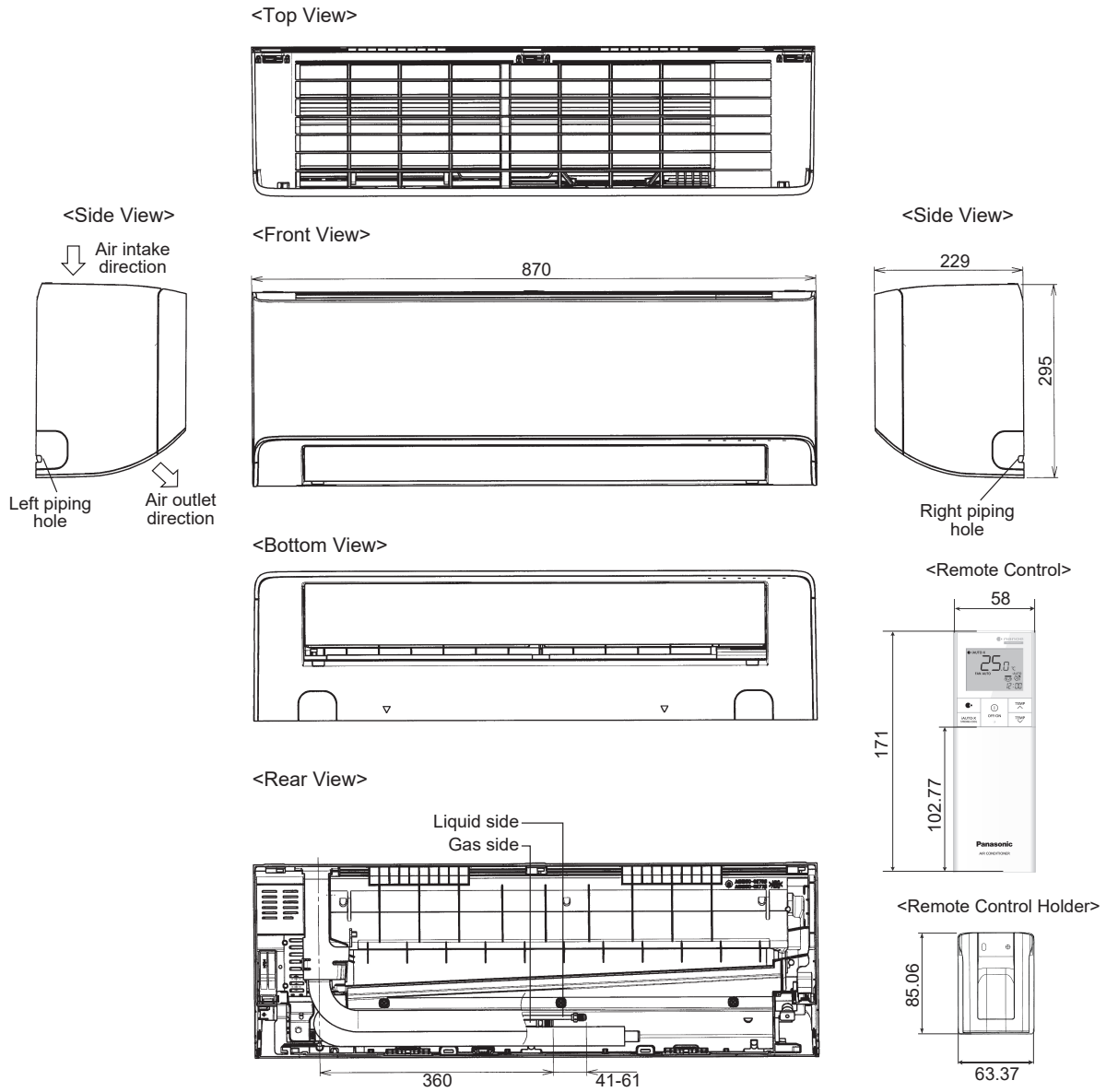


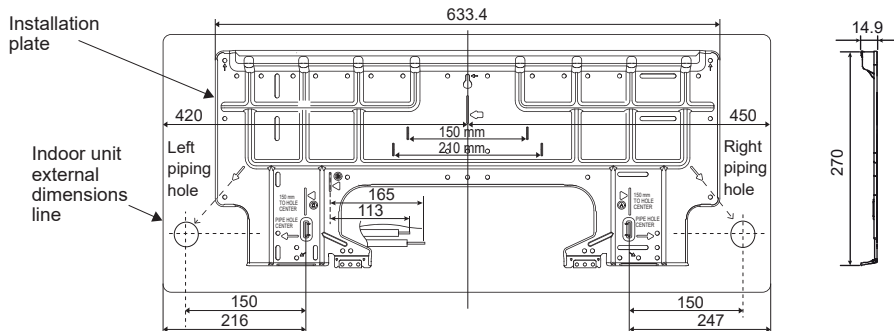
Dimensions

1 Indoor Unit

1.1 CS-U9XKH-8 / CS-U12XKH-8



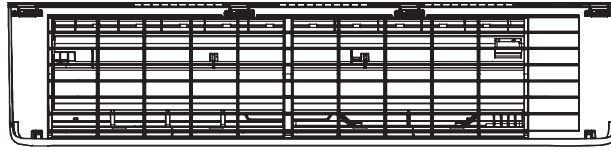
Relative position between the indoor unit and the installation plate <Front View>



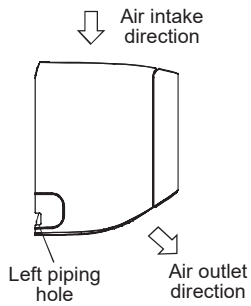
Unit: mm

1.2 CS-U18XKH-8 / CS-U24XKH-8

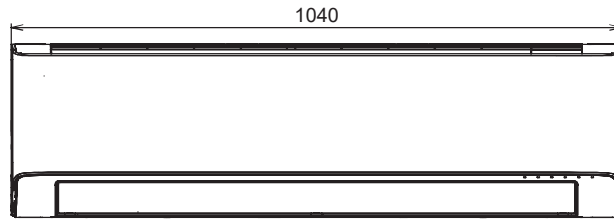
<Top View>



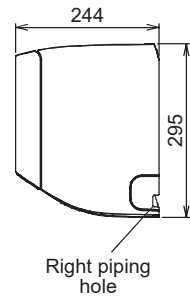
<Side View>



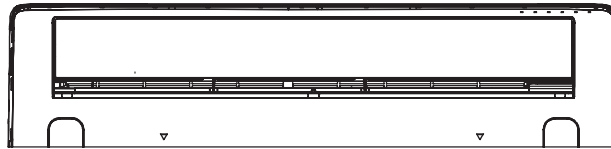
<Front View>



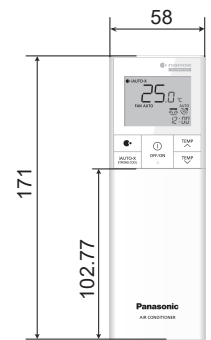
<Side View>



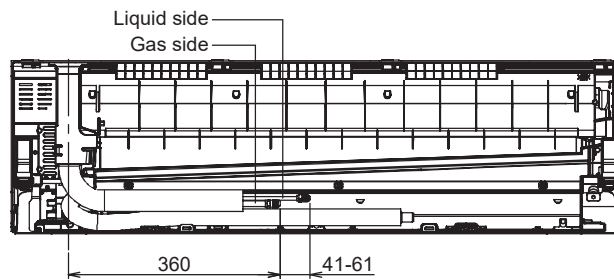
<Bottom View>



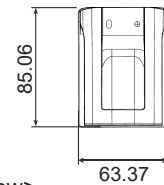
<Remote Control>



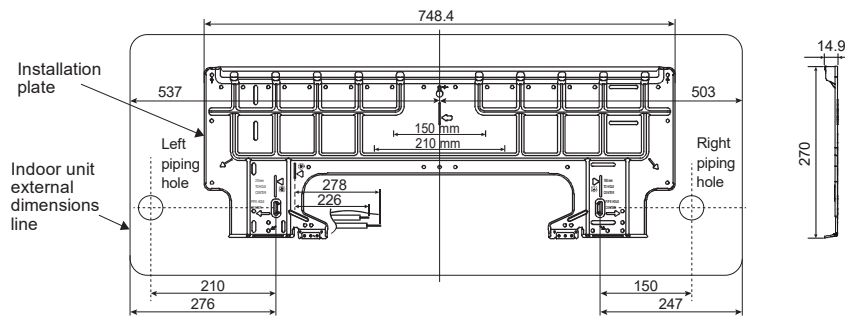
<Rear View>



<Remote Control Holder>



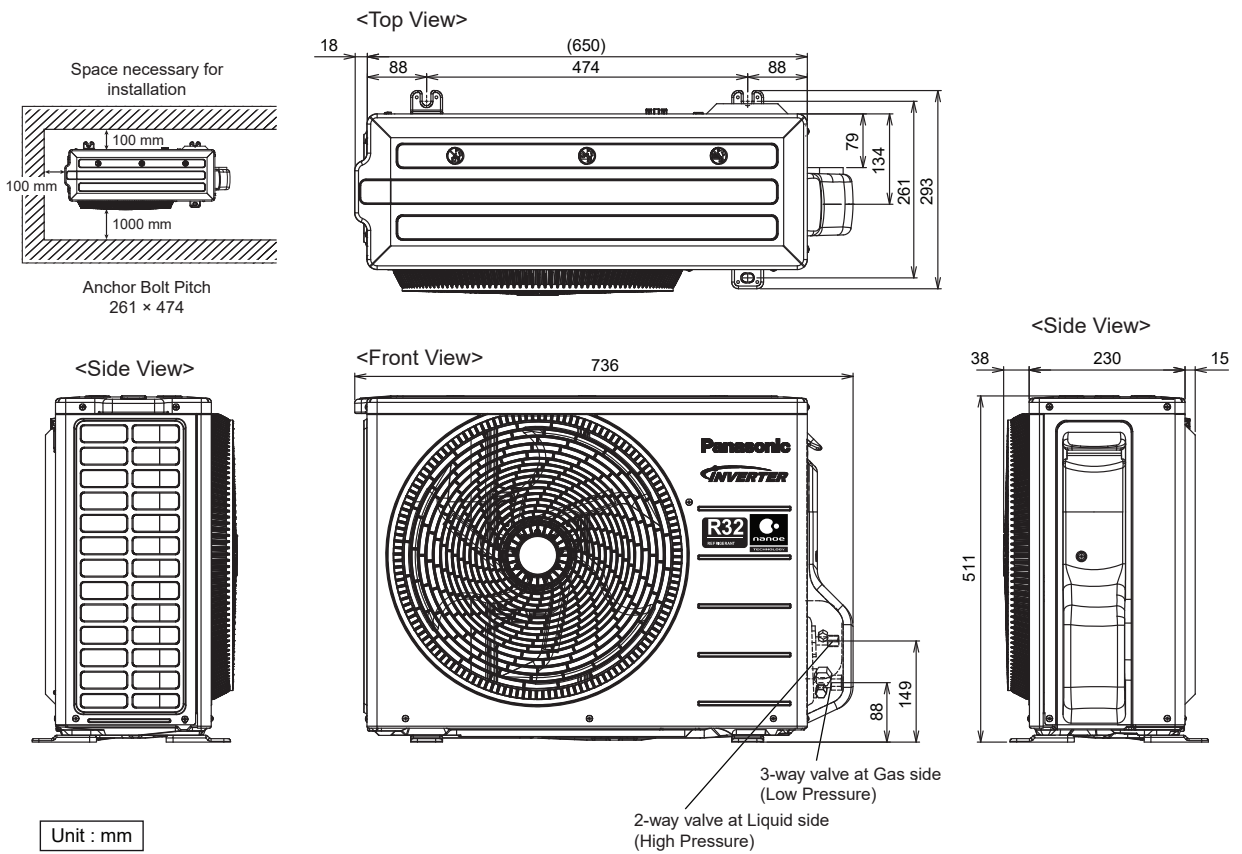
Relative position between the indoor unit and the installation plate <Front View>



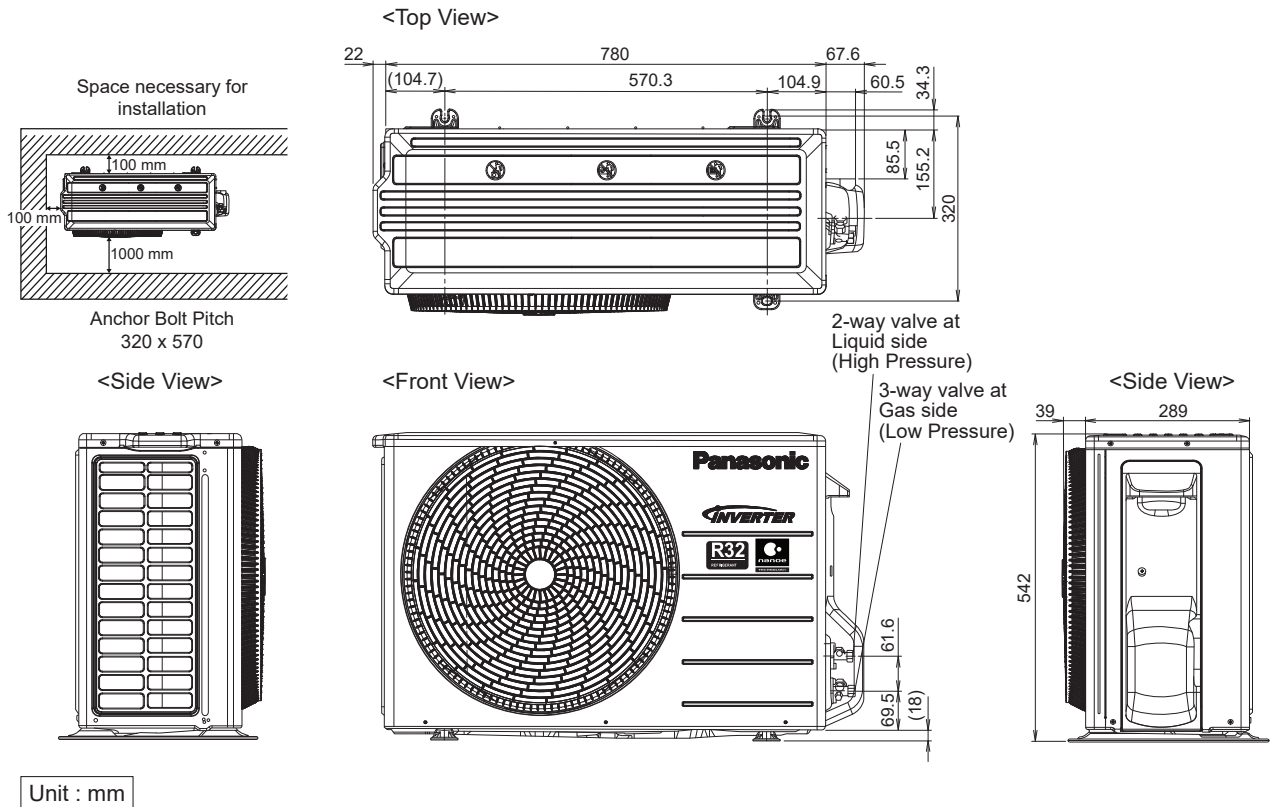
Unit: mm

2 Outdoor Unit

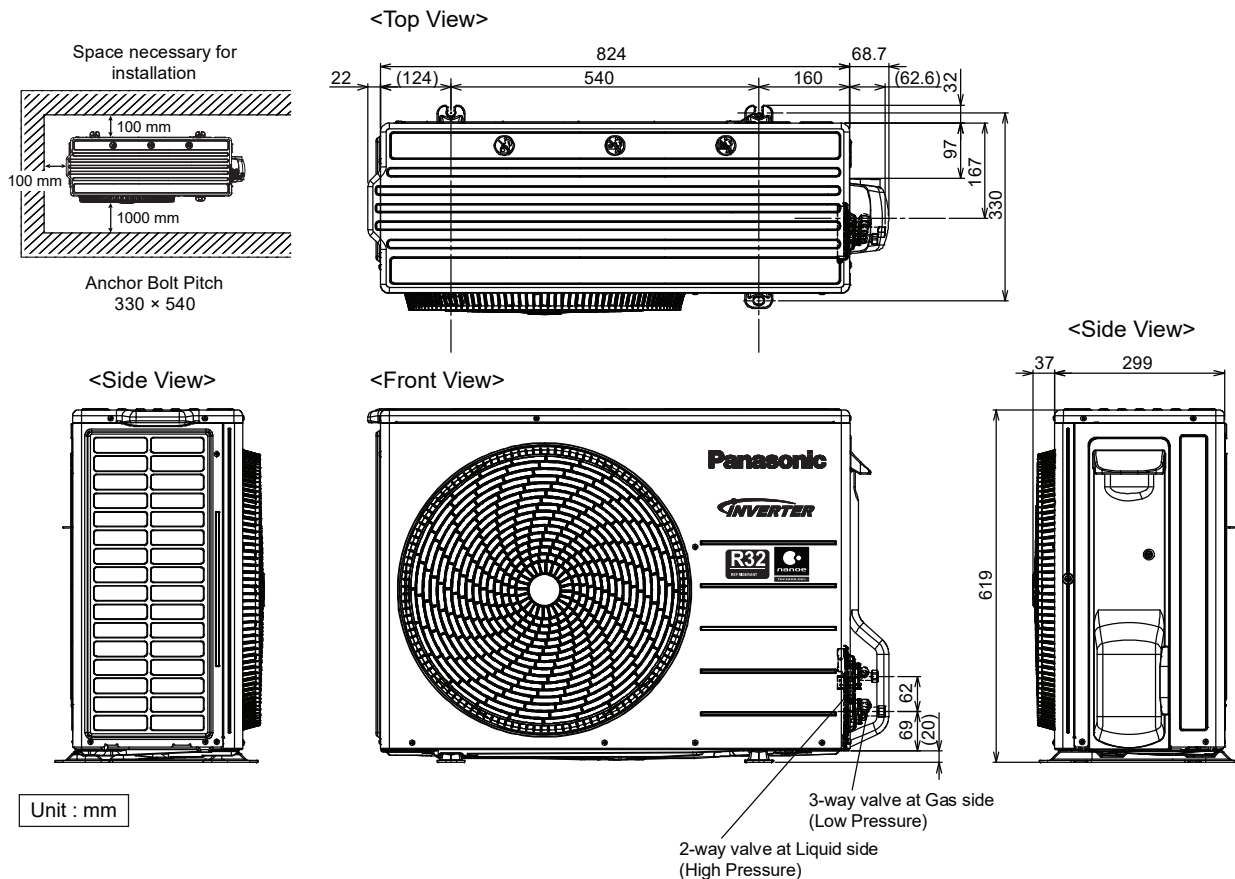
2.1 CU-U9XKH-8



2.2 CU-U12XKH-8



2.3 CU-U18XKH-8



2.4 CU-U24XKH-8

