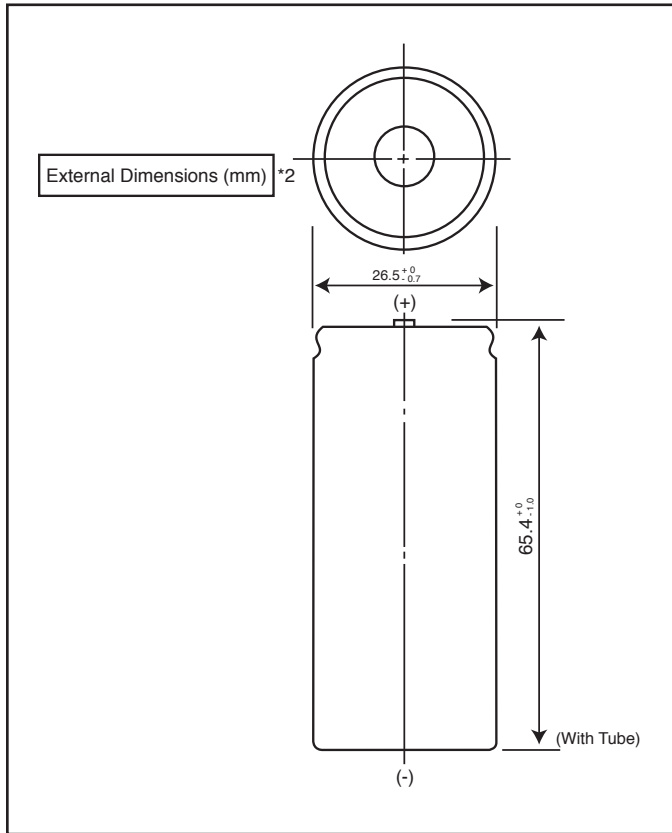


CGR26650A: High Rate Cylindrical Model



To ensure safety, the referenced Li-ion cell is not sold as a bare cell. Li-ion cells must be integrated with the appropriate safety circuitry via an authorized Panasonic Li-ion pack assembler.

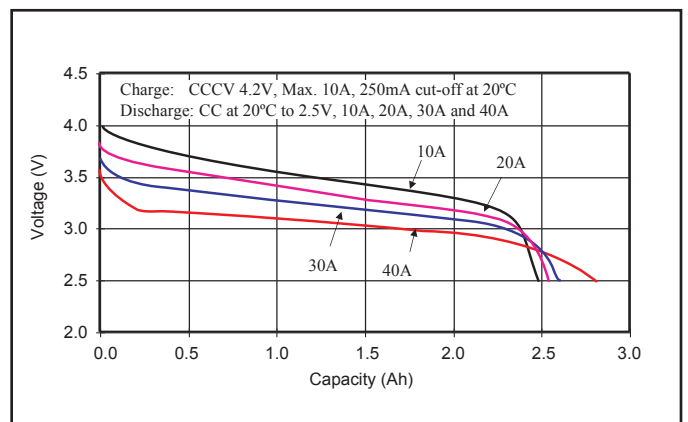
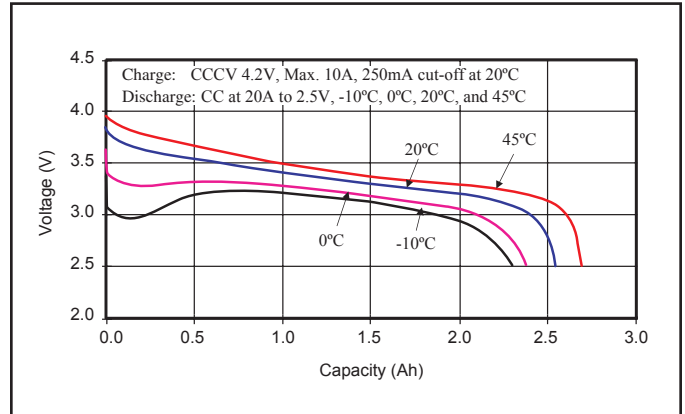
Specifications

Nominal Voltage		3.6 V
Standard Capacity*1		2650mAh
Dimensions*2	Diameter	26.5 + 0/-0.7mm
	Height	65.4 + 0/-1.0mm
	Weight	Approx. 90g

*1 After a fresh battery has been charged at constant voltage/constant current (4.2 V, 2500mA (max), 250mA cut-off, 20°C), the average of the capacity (ending voltage of 2.5 V at 20°C) that is discharged at a standard current (500mA).

*2 Dimensions of a fresh battery

Discharge Characteristics



Charge Characteristics

