

LCR 12V4PF

■ Specifications

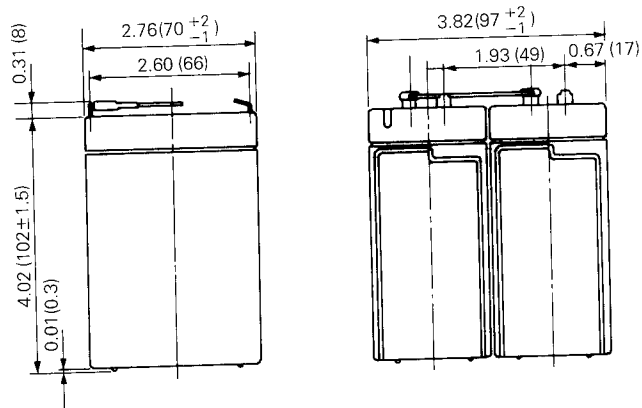
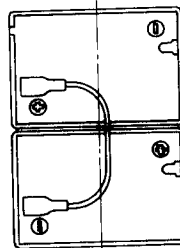
Nominal Voltage		12V
Nominal Capacity (20 hour rate)		4.0Ah
Dimensions	Total Height (with terminals)	4.33 inches (110mm)
	Height	4.02 inches (102mm)
	Length	2.76 inches (70mm)
	Width	3.82 inches (97mm)
Weight		Approx. 3.66lbs (1660g)

■ Characteristics

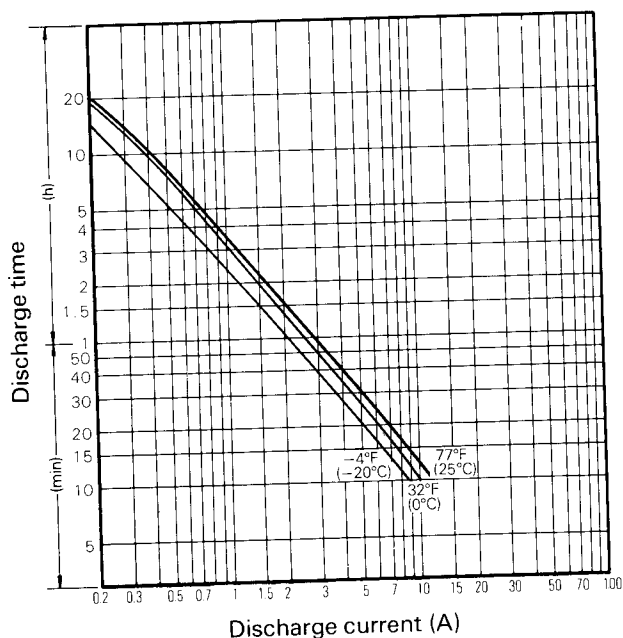
Capacity 77°F (25°C)	20 hour rate (200mA)	4.0Ah
	10 hour rate (370mA)	3.7Ah
Internal Resistance	5 hour rate (660mA)	3.3Ah
	1 hour rate (2700mA)	2.7Ah
	1.5 hour discharge to 10.5V	1.9A
Capacity affected by Temperature (20 hour rate)	Full charged Battery 77°F (25°C)	50mΩ
	104°F (40°C)	102%
	77°F (25°C)	100%
	32°F (0°C)	85%
Self-Discharge 77°F (25°C)	-4°F (-20°C)	60%
	Capacity after 3 month storage	91%
	Capacity after 6 month storage	82%
Terminal	Capacity after 12 month storage	64%
	AMP Faston type 187 Tab Terminal	
	Charge (Constant Voltage)	Cycle
Float		Initial Charging Current less than 1.6A Voltage 13.6~13.8V/12V 77°F (25°C)



Unit: inch (mm)



■ Discharging Current & Discharge Duration Time



Discharge curves 77°F (25°C)

