

*Using breakthrough technology,  
we aim for products that will create new markets.*

**New Product News**

Wide range of products

**Rotary Potentiometers**

**39/20 mm Center Space Potentiometers**

Industry/Field: Automotive electronics

**Provided with a high-quality operational feel and space for embedding an LED**



**Development Target:**

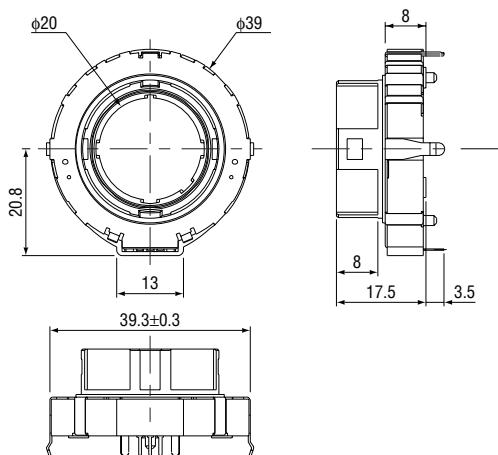
Developed a potentiometer with a center space capable of meeting the need for a larger control knob for automotive equipment and enabling the embedding of an LED or switch.

**Features:**

- 1** Outer diameter of 39 mm, and a center space diameter of 20 mm
- 2** Space where an LED can be embedded
- 3** High-quality operation feel

**Number of industrial property rights: 1 (pending)**

**Construction:**



**Characteristics/specifications:**

Item		Specifications
Mechanical	Rotation Angle	300°max.
	Rotation Torque(Detents Torque)	20mN · m
	Play in the shaft	±0.3 mm max.
Electrical	Nominal Total Resistance	10 KΩ (Tolerance ±20 %)
	Power Rating	0.1 W
	Voltage Rating	6 V dc
	Taper	B
	Linearity	±3 % max.
	Insulation Resistance	50 MΩmin. (250 V dc)
	Dielectric Withstanding Voltage	250 V ac for 1 minute
Endurance	Rotation Life	30,000 cycles

**Applications/usage examples:**

- Temperature/fan speed control or mode switching for car air conditioners
- Volume control for car audio equipment

**Explanation of part numbers:**

1	2	3	4	5	6	7	8	9	10	11	12
E	W	V	Y	E							
Product code				Type	Design No.			Taper & Resistance			