

## Titanium dome-shaped speaker



### ■ Features

- Speaker achieved by the adoption of dome-shaped diaphragm made of titanium
- Realizing high-endurance and high-linearity performances as well as compact size by the adoption of newly-developed Multi-link suspension
- High-sound pressure, wide-range frequency response, and low-distortion performance

### ■ Recommended Applications

- PCs, TVs, Audio systems etc.

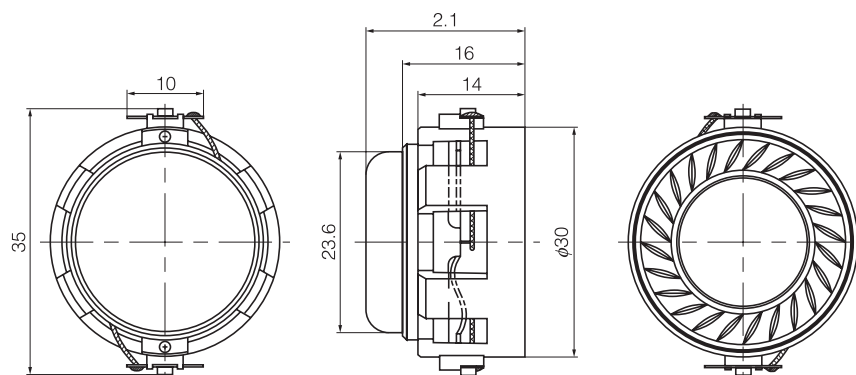
### ■ Patent information

- 2 patents (pending)

### ■ Specifications

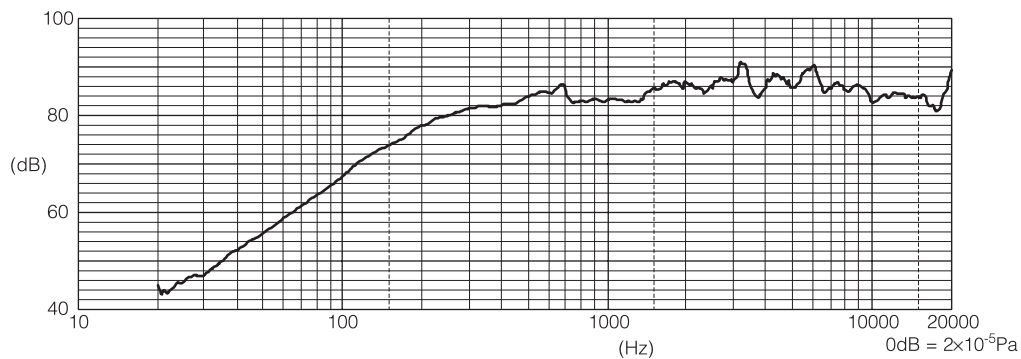
Rated Input (W)	Impedance (Ω)	Frequency Range (Hz)	S.P.L. (dB/W/m)	Net Mass (g)
2	3.5	250 to 20k	76	33

### ■ Appearance



### ■ Frequency Response Curve

(Measuring distance 0.5 m)



\* A design and a performance become custom-made correspondence.

Please ask the nearby window of our company about demand of a sample and specifications.