
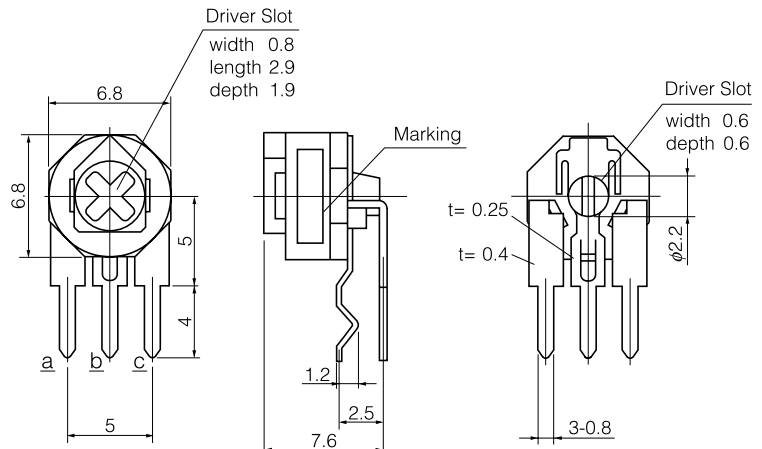

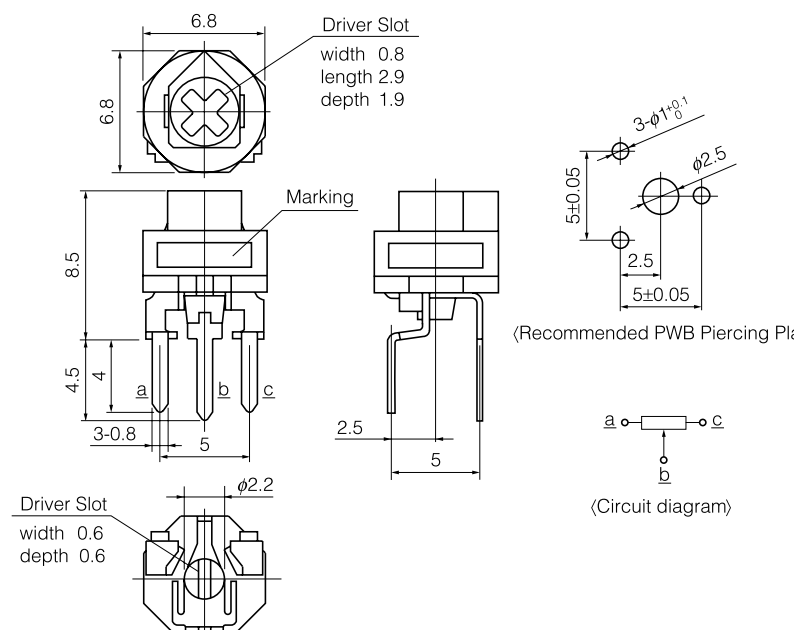


■ Dimensions in mm (not to scale)

- 3-terminal, Side-adjust, Both Sides Adjust, Cross Slot Screw Adjust EVM49G

<p>No. 1</p> 	 <p>Driver Slot width 0.8 length 2.9 depth 1.9</p> <p>6.8</p> <p>6.8</p> <p>5</p> <p>4</p> <p>a b c</p> <p>5</p> <p>1.2</p> <p>2.5</p> <p>7.6</p> <p>Marking</p> <p>Driver Slot width 0.6 depth 0.6</p> <p>t = 0.25</p> <p>t = 0.4</p> <p>φ2.2</p> <p>3-0.8</p> <p>3-φ1^{+0.1}</p> <p>5±0.05</p> <p>2.5±0.05</p> <p>(Recommended PWB Piercing Plan)</p> <p>a o b o c</p> <p>(Circuit diagram)</p>
------------------------------------------------------------------------------------------------	-----------------------------------------------------------------------------------------------------------------------------------------------------------------------------------------------------------------------------------------------------------------------------------------------------------------------------------------------------------------------------------------------------------------------------------------------------------------------------------------------------------------

- 3-terminal, Top-adjust, Both Sides Adjust, Cross Slot Screw Adjust EVM4LG

<p>No. 2</p> 	 <p>Driver Slot width 0.8 length 2.9 depth 1.9</p> <p>6.8</p> <p>6.8</p> <p>8.5</p> <p>4.5</p> <p>4</p> <p>a b c</p> <p>3-0.8</p> <p>5</p> <p>2.5</p> <p>5</p> <p>Marking</p> <p>Driver Slot width 0.6 depth 0.6</p> <p>φ2.2</p> <p>3-φ1^{+0.1}</p> <p>5±0.05</p> <p>2.5</p> <p>5±0.05</p> <p>φ2.5</p> <p>(Recommended PWB Piercing Plan)</p> <p>a o b o c</p> <p>(Circuit diagram)</p>
--------------------------------------------------------------------------------------------------	---------------------------------------------------------------------------------------------------------------------------------------------------------------------------------------------------------------------------------------------------------------------------------------------------------------------------------------------------------------------------------------------------------------------------------------------------------------------------------------------------------

■ Explanation of Part Numbers

Type	Symbol
6 mm Square Dustproof Radial Taping with Knob Protection	EVMEA, EVMEG, EVMEE, EVMEY, EVMEV
6 mm Square Dustproof Radial Taping	EVMAA, EVMAE
6 mm Square Dustproof Bulk	EVM49, EVM4L
5 mm Square Dustproof Bulk	EVM2A
4 mm Square Dustproof Bulk	EVML1, EVML4

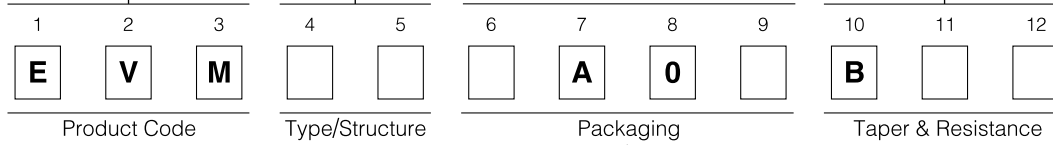
10 th Taper B	11 th Significant Number of resistance	12 th Number of zero
---------------------	-------------------------------------------	-------------------------

Example:

Resistance	Symbol
500 Ω	52
47 kΩ	Q4
1 MΩ	16

Note: When significant number is odd, letters are assigned as shown below.

11th	Significant number
C	1.5
E	2.2
Y	3.3
Q	4.7
S	6.8



Symbol	Packaging
GA00	Bulk Standard
SA00	Radial taping height 20 mm
SA01	Radial taping height 21 mm