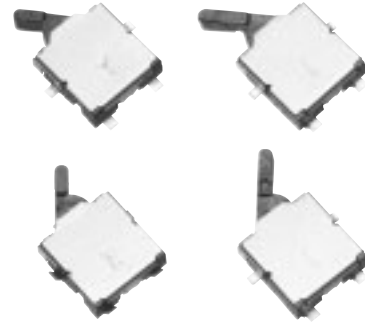


1HL Detector Switches

Type: **ESE18**



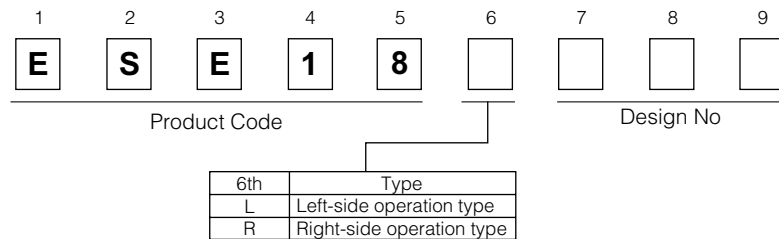
■ Features

- Thin body: 1.2 mm
- Circuit type: Normally-open and normally-closed types are available.
- Travel: Standard stroke type: 1.5 mm
Long stroke type: 2.15 mm
- Surface mounted type: Packed with embossed tape. Supports reflow soldering.

■ Recommended Applications

- Detection of media in portable electronic equipment (Mobile phones/CD-ROM/DVD players, Digital still cameras)

■ Explanation of Part Numbers



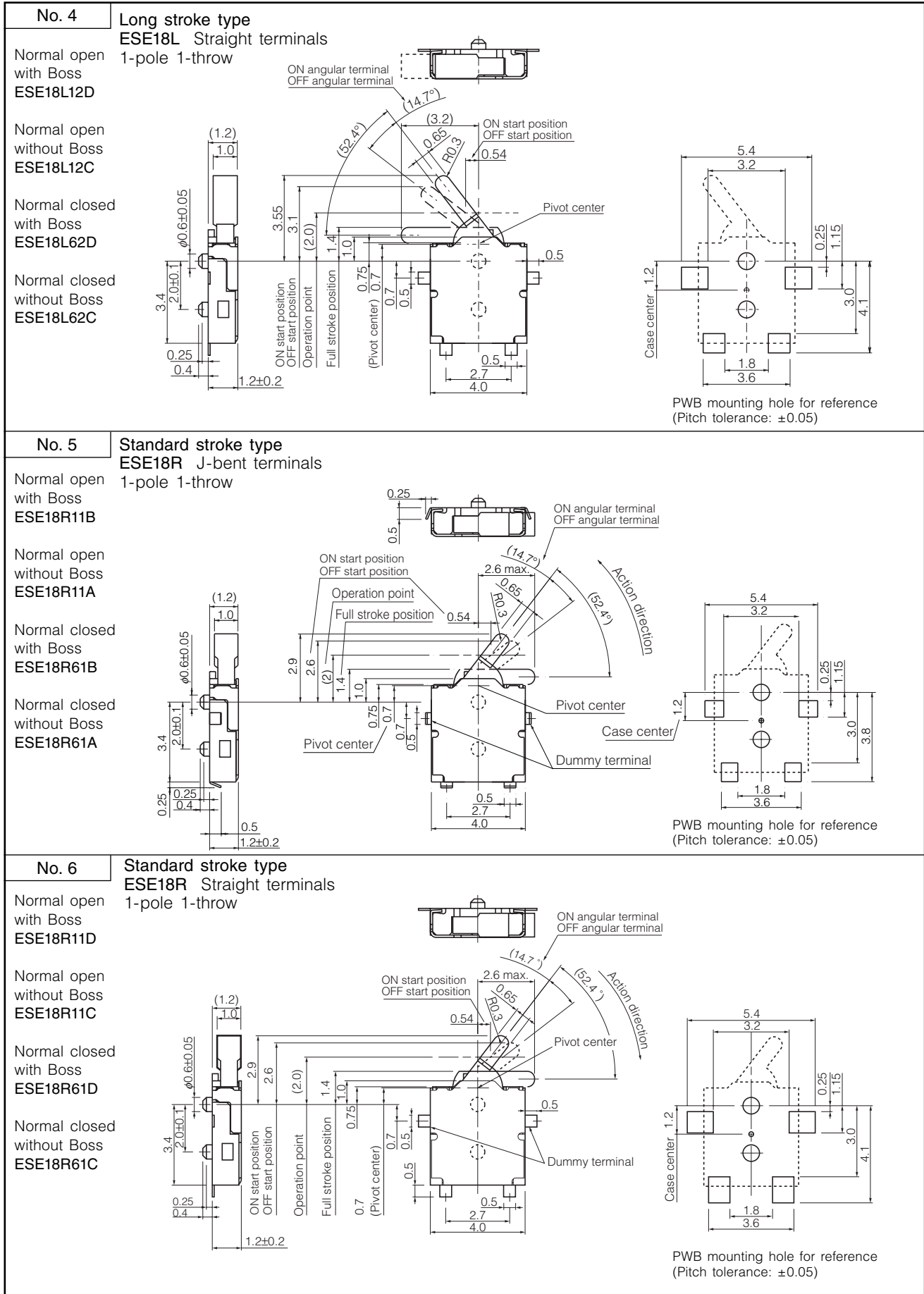
■ Specifications

| | | | |
|---|--|---|---|
| Rating | 50 μ A 3 Vdc to 10 mA 5 Vdc (Resistive load) | | |
| Contact Resistance | 500 m Ω max. | | |
| Insulation Resistance | 100 M Ω min. (100 Vdc) | | |
| Dielectric Withstanding Voltage | 100 Vac for 1 minute | | |
| Operating Force | 300 mN max. | | |
| Mounting Height | 1.2 mm | | |
| Poles and Throws | 1-pole 1-throw | | |
| Full Travel (Pushing distance) | <table style="width: 100%; border: none;"> <tr> <td style="width: 50%; border: none;"> · Standard stroke type With boss : 1.4 mm (1.5 mm) Without boss : 2.1 mm (1.5 mm) </td> <td style="width: 50%; border: none;"> · Long stroke type With boss : 1.4 mm (2.15 mm) Without boss : 2.1 mm (2.15 mm) </td> </tr> </table> | · Standard stroke type With boss : 1.4 mm (1.5 mm) Without boss : 2.1 mm (1.5 mm) | · Long stroke type With boss : 1.4 mm (2.15 mm) Without boss : 2.1 mm (2.15 mm) |
| · Standard stroke type With boss : 1.4 mm (1.5 mm) Without boss : 2.1 mm (1.5 mm) | · Long stroke type With boss : 1.4 mm (2.15 mm) Without boss : 2.1 mm (2.15 mm) | | |
| Operating Life | 50000 cycles min. | | |
| Temperature Range | -10 °C to +60 °C | | |
| Heat Resistance | +70 °C for 96 hours | | |
| Low Temperature Resistance | -25 °C for 96 hours | | |
| Humidity Resistance | +40 °C 90 % to 95 % RH for 96 hours | | |
| Minimum Quantity/Packing Unit | 5000 pcs. Embossed Taping (Reel Pack) | | |
| Quantity/Carton | 30000 pcs. | | |

■ Dimensions in mm (not to scale)

| | |
|---|---|
| <p>No. 1</p> <p>Standard stroke type ESE18L J-bent terminals 1-pole 1-throw</p> <p>Normal open with Boss ESE18L11B</p> <p>Normal open without Boss ESE18L11A</p> <p>Normal closed with Boss ESE18L61B</p> <p>Normal closed without Boss ESE18L61A</p> | <p>ON angular terminal OFF angular terminal</p> <p>Operation point Full stroke position</p> <p>Action direction (52.4°)</p> <p>2.6 max. 0.65 R0.3 0.54</p> <p>ON start position OFF start position</p> <p>Pivot center Case center Dummy terminal</p> <p>PWB mounting hole for reference (Pitch tolerance: ±0.05)</p> |
| <p>No. 2</p> <p>Standard stroke type ESE18L Straight terminals 1-pole 1-throw</p> <p>Normal open with Boss ESE18L11D</p> <p>Normal open without Boss ESE18L11C</p> <p>Normal closed with Boss ESE18L61D</p> <p>Normal closed without Boss ESE18L61C</p> | <p>ON angular terminal OFF angular terminal</p> <p>Operation point Full stroke position</p> <p>Action direction (52.4°)</p> <p>2.6 max. 0.65 R0.3 0.54</p> <p>ON start position OFF start position</p> <p>Pivot center Case center Dummy terminal</p> <p>PWB mounting hole for reference (Pitch tolerance: ±0.05)</p> |
| <p>No. 3</p> <p>Long stroke type ESE18L J-bent terminals 1-pole 1-throw</p> <p>Normal open with Boss ESE18L12B</p> <p>Normal open without Boss ESE18L12A</p> <p>Normal closed with Boss ESE18L62B</p> <p>Normal closed without Boss ESE18L62A</p> | <p>ON angular terminal OFF angular terminal</p> <p>Operation point Full stroke position</p> <p>Action direction (52.4°)</p> <p>3.2 0.65 R0.3 0.54</p> <p>ON start position OFF start position</p> <p>Pivot center Case center Dummy terminal</p> <p>PWB mounting hole for reference (Pitch tolerance: ±0.05)</p> |

■ Dimensions in mm (not to scale)



■ Packaging Specifications
Standard Reel Dimensions in mm (not to scale)

