

Panasonic Industrial Company

Air Conditioning Department

2R13S3R276A-6A

265/277 V, 60 Hz R-22

2R13S3R276A-6A

| | | |
|-------------------------|---------------------------|---------------|
| Application | Cooling (C) / Heating (H) | |
| Ref. Charge Limit (C/H) | 24.0 oz. | 680 g |
| | (C) 28.2 oz. | 800 g |
| Evap. Temp. Range (C/H) | 5°F to 53.6°F | -15°C to 12°C |
| | (C) 14°F to 53.6°F | -10°C to 12°C |
| Specification Number | SC-51171001-A | |

Rated Performance @265V¹

| | |
|-------------|-----------------|
| Capacity | 8,550 Btu/hr |
| Motor Input | 795 Watts |
| Current | 3.0 Amperes |
| E.E.R. | 10.75 Btu/hr/ W |

Compressor Data

| | | |
|-------------------------|-------------------------|--------|
| Pump Type | Rotary | |
| Displacement | 12.4 cc/rev | |
| Oil | ATMOS M60 or equivalent | |
| Oil Charge (Precharged) | 9.8 fl. oz. | 290 cc |
| Net Weight | 19.6 lb | 8.9 kg |

Motor Data

| | | |
|--------------------------------------|---------------------------|--|
| Motor Type | Permanent Split Capacitor | |
| Locked Rotor Amperes | 18 A at 277V | |
| Winding Resistance | Main: 4.794Ω, Aux:5.217Ω | |
| Max. Continuous Current ² | | |

Maximum Operating Conditions

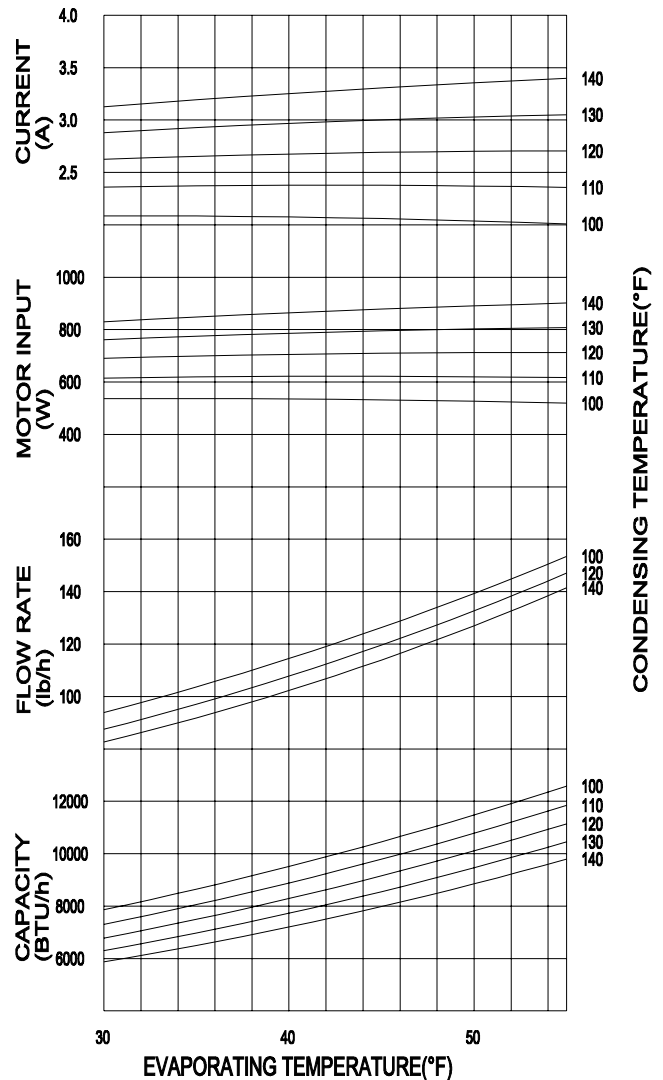
| | | |
|---------------------|-------|-------|
| Condensing Temp. | 149°F | 65°C |
| Return Gas Temp. | 95°F | 35°C |
| Discharge Gas Temp. | 239°F | 115°C |
| Motor Wire Temp. | 266°F | 130°C |

Electrical Components

| | |
|-------------------------|---------------|
| Overload Protector | 7100523 |
| Texas Instrument part # | MRA 98967 |
| Run Capacitor | 15 μF/400 VAC |

¹Rated @ASHRAE/T Conditions

| | | |
|-------------------|-------|--------|
| Evaporating Temp. | 45°F | 7.2°C |
| Condensing Temp. | 130°F | 54.4°C |
| Return Gas Temp. | 95°F | 35.0°C |
| Liquid Temp. | 115°F | 46.1°C |
| Ambient Temp. | 95°F | 35.0°C |



BTU 9,000

Performance Data @265V

Based on:

| | | |
|--------------------|------|--------|
| Return gas Temp. | 95°F | 35.0°C |
| Liquid sub-cooling | 15°F | 8.3°C |
| Ambient | 95°F | 35.0°C |

COND. TEMP.

| | | | | |
|--------|--------|--------|--------|-------|
| 100°F | 110°F | 120°F | 130°F | 140°F |
| 37.8°C | 43.3°C | 48.9°C | 54.4°C | 60°C |

EVAP. TEMP.

| | | | | | | |
|-----------------|---------|------|------|------|------|------|
| 35° F 1.7° C | Btu/hr | 8645 | 8050 | 7490 | 6970 | 6495 |
| | Watts | 535 | 620 | 700 | 775 | 850 |
| | Amperes | 2.1 | 2.4 | 2.7 | 2.9 | 3.2 |

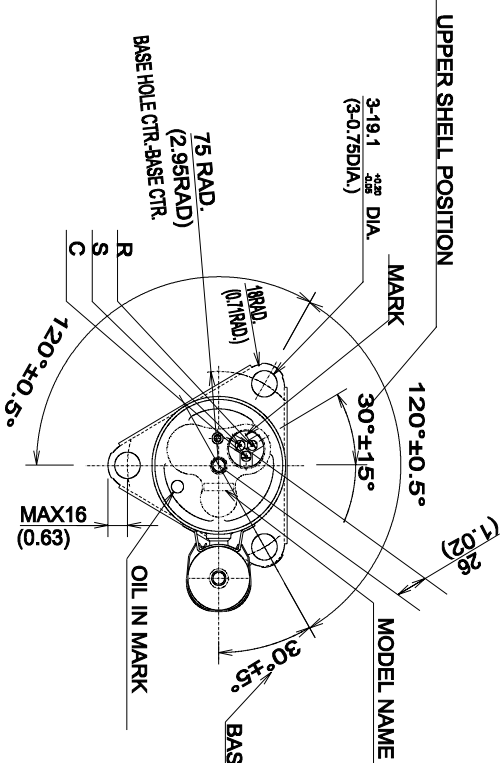
| | | | | | | |
|-----------------|---------|-------|------|------|------|------|
| 45° F 7.2° C | Btu/hr | 10455 | 9790 | 9155 | 8550 | 7980 |
| | Watts | 530 | 620 | 710 | 795 | 880 |
| | Amperes | 2.1 | 2.4 | 2.7 | 3.0 | 3.3 |

| | | | | | | |
|------------------|---------|-------|-------|-------|-------|------|
| 55° F 12.8° C | Btu/hr | 12580 | 11845 | 11140 | 10455 | 9795 |
| | Watts | 520 | 615 | 715 | 810 | 900 |
| | Amperes | 2.0 | 2.4 | 2.7 | 3.1 | 3.4 |

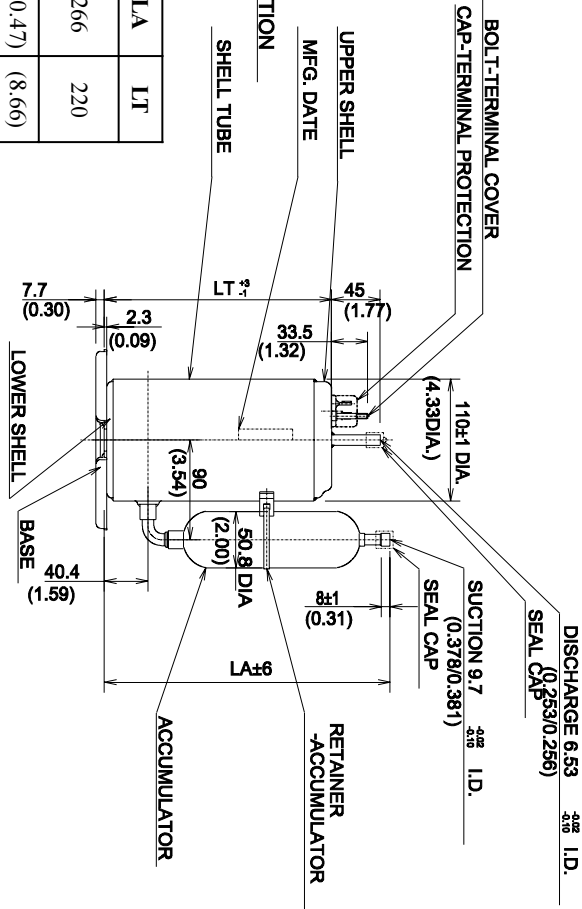
2R13S3R276A-6A

265/277 V, 60 Hz R-22

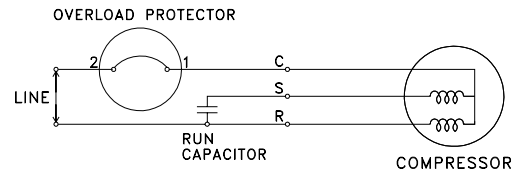
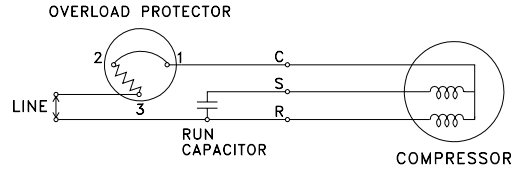
BTU 9,000



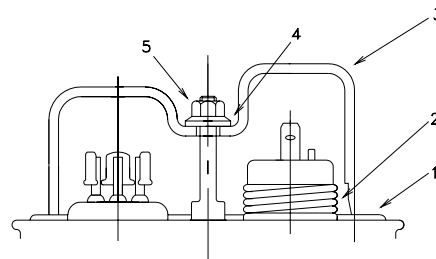
| | |
|---------|--------|
| LA | LT |
| 266 | 220 |
| (10.47) | (8.66) |



WIRING DIAGRAM



COMPRESSOR ACCESSORIES



| Accessories | Part Number |
|-------------------------|-------------|
| 1 Gasket-Terminal Cover | 7070620U |
| 2 Spring-OLP hold down | 7041200 |
| 3 Terminal Cover | 7070222U |
| 4 Gasket-Nut | 7070621U |
| 5 Nut-Terminal Cover | 7080300 |
| Grommet | 7070817 |

COMPRESSOR MOUNTING

