

# LCS-214P

## ■ Specifications

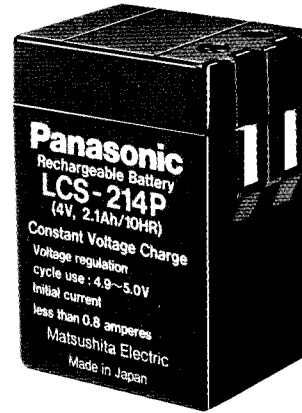
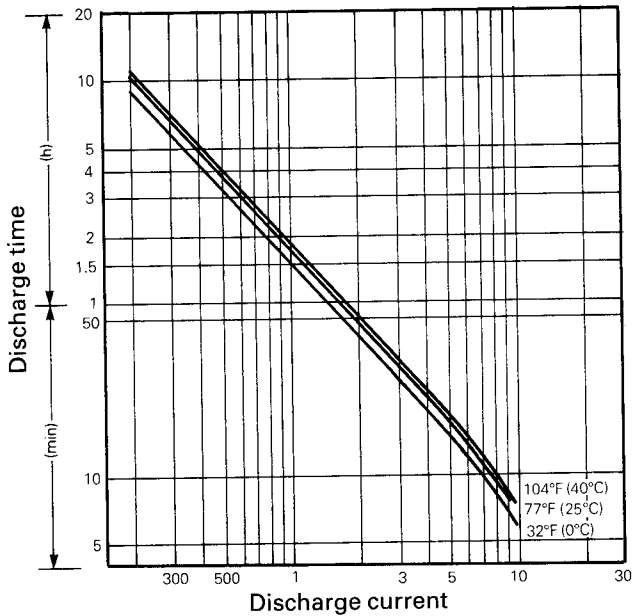
Nominal Voltage		4V
Nominal Capacity (10 hour rate)		2.1Ah
Dimensions	Total Height	2.52inch (63.9mm)
	Height	2.48inch (63.1mm)
	Length	1.90inch (48.3mm)
	Width	1.41inch (35.8mm)
Weight		Approx. 0.57lbs (260g)

## ■ Characteristics

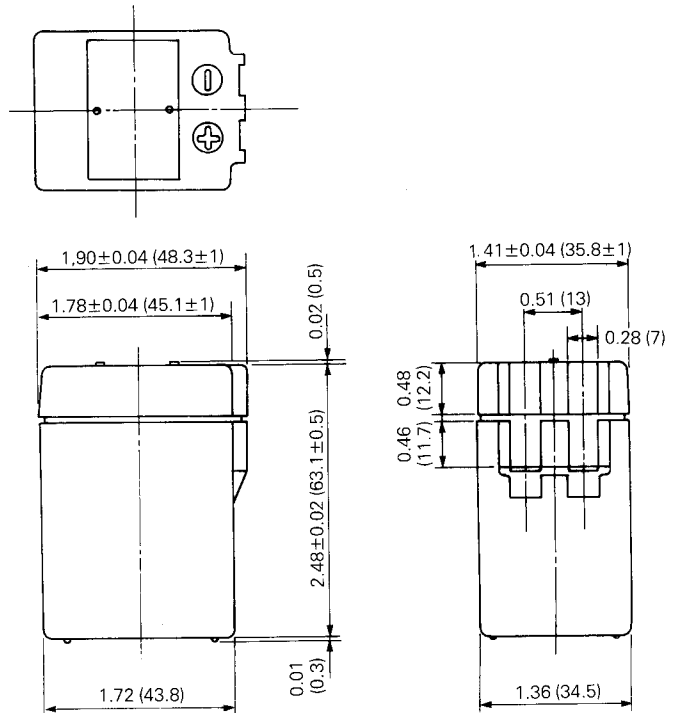
Capacity 77°F (25°C)	20 hour rate ( 65mA)	2.2Ah
	10 hour rate ( 180mA)	2.1Ah
Internal Resistance	5 hour rate ( 190mA)	2.0Ah
	1 hour rate ( 700mA)	1.7Ah
	1.5 hour discharge to 5.25V	1.1A
Capacity affected by Temperature (20 hour rate)	Full charged Battery 77°F (25°C)	60mΩ
Self-Discharge 77°F (25°C)	104°F ( 40°C)	102%
	77°F ( 25°C)	100%
	32°F ( 0°C)	85%
	-4°F (-20°C)	60%
Terminal	Capacity after 3 month storage	91%
Charge (Constant Voltage)	Capacity after 6 month storage	82%
	Capacity after 12 month storage	64%
	Terminal	Pressure Contact
Cycle	Initial Charging Current Less than 1.5A	
	Voltage 4.9 — 5.0V/4V 77°F (25°C)	

Note: Not designed for float service.

## ■ Discharging Current & Discharge Duration Time



Unit: inch (mm)



Discharge curves 77°F (25°C)

