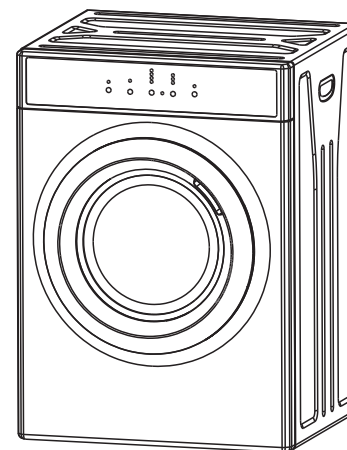


## Operating & Installation Instructions

Tumble Dryer  
(Household Use)

**MODEL: NH-E70JA1 NH-E80JA1**



### Contents

Safety & Warning	2
Check your Tumble Dryer	4
Before Drying	5
Control Panel	6
Operation Precaution	7
Installation Instruction	9
Maintenance	12
Trouble shooting & Specifications	13

Thank you for purchasing this product.  
- Read these instructions carefully for optimum performance and safety before use.  
- Keep this manual for future reference.

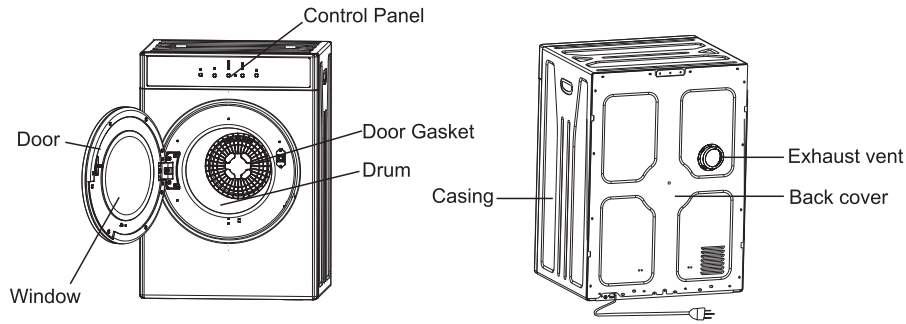
JHDQ10113A1  
Printed in China  
01/2020



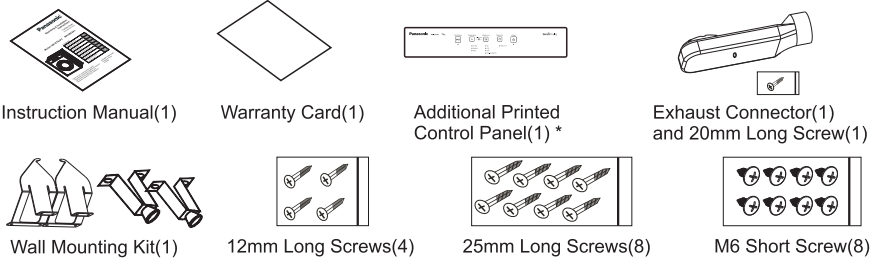


# Checking Your Tumble Dryer

## Your Tumble Dryer



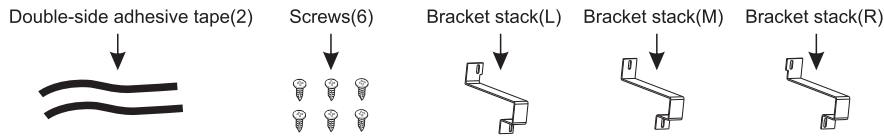
## Dryer Accessories included in Product Package



(\*This Accessories is only available for Malaysia, Singapore and New Zealand

## Recommended Accessories

- Stacking System – Bracket Kit (Model No N-SK2): designed for stacked installation of these Dryer on top of Panasonic Front Loading Washing Machine with Model number NA-V\*\*\*\*\*



- Venting Kit – Through Wall (Model No N-FH2): designed to extend the length of exhausting connector\*\*



You can buy Stacking System - Bracket Kit (Model No N-SK2) & Venting Kit – Through Wall (Model No N-FH2) from your local appliances shop or Panasonic Appliances Part Distributor  
 \*\*: This Venting Kit – Through Wall is except for Thailand

# Troubleshooting, Specification

Review the following pages before calling for service.

Problem	Possible Cause	What to do
Drum does not turn	<ul style="list-style-type: none"> <li>Is the door closed?</li> <li>Is the power cord inserted?</li> <li>Does the receptacle have power?</li> </ul>	<ul style="list-style-type: none"> <li>Close the door.</li> <li>Insert the power cord firmly.</li> <li>Check the power cord receptacle.</li> </ul>
The laundry is not thoroughly dried	<ul style="list-style-type: none"> <li>Are the front and back filters clogged?</li> <li>Is there too much laundry in the dryer?</li> <li>Have items been added whilst the dryer is in operation?</li> <li>Has the laundry become twisted whilst drying?</li> <li>Has the dryer been placed in a small and badly ventilated area?</li> <li>Have you set the dryer to Air Dry?</li> </ul>	<ul style="list-style-type: none"> <li>Clean the filter,</li> <li>Reduce the amount in the dryer.</li> <li>Re-dry the items again.</li> <li>Untwist the items and re-dry.</li> <li>Place the dryer in a well-vented area.</li> <li>Try using 'Medium' or 'High' setting instead.</li> </ul>
Dryer does not start	<ul style="list-style-type: none"> <li>Is there a power failure?</li> <li>Is the power cord inserted firmly?</li> <li>Is the door closed?</li> </ul>	<ul style="list-style-type: none"> <li>Try again when there is power.</li> <li>Insert the power cord firmly.</li> </ul>
Door opening alarm (all LED flash and 12 beep sounds)	<ul style="list-style-type: none"> <li>Is the door closed?</li> </ul>	<ul style="list-style-type: none"> <li>Close the door and push "Start / Pause" button.</li> <li>Please unlock and push "Start / Pause" in case of Child Lock mode.</li> </ul>

## Dryer Technical Specifications

Model	NH-E70JA1	NH-E80JA1
Drying Capacity	7.0 kg	8.0 kg
Voltage	220~240V 50/60Hz	220~240V 50/60Hz
Rated Input	1700 W	1900 W
Net Weight	27.5kg	29kg
Dimensions	600x565x850mm	600x595x850mm

Panasonic Corporation  
<http://www.panasonic.com>



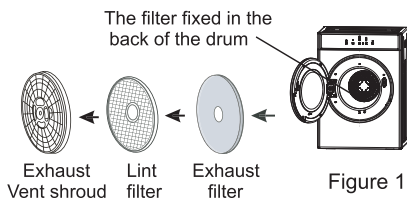
## Maintenance

### Cleaning the Lint Filter

Please unplug the power cord prior to any cleaning. The lint filter must be in place whenever drying. It must be cleaned before each use.

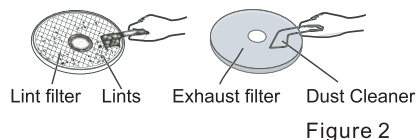
#### 1. Removing the filters

Remove by pulling outwards with fingers, inserted into the four holes around the exhaust vent shroud. The filter is in 3 parts: Exhaust vent shroud, lint filter and exhaust filter (as shown in figure 1)



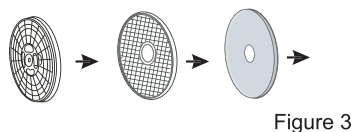
#### 2. Cleaning the filter

Separate "exhaust vent shroud", "lint filter" and "exhaust filter". Clean the lint on the lint filter and exhaust filter with a soft brush or vacuum cleaner. Do not damage the filters (as shown in figure 2).



#### 3. Re-installing the filter

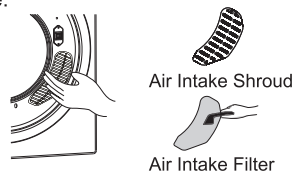
After cleaning, assemble in the sequence of "exhaust filter - lint filter - exhaust vent shroud", align the recesses in the center with the projection in the center of the drum. Make sure that it is firmly inserted (as shown in figure 3).



### Cleaning of the Air Intake Filter

The filter should be cleaned once a month.

Remove by pulling outwards holding the upper and lower ends of the air intake shroud. Remove the filter inside the shroud and clean it with a soft brush. Reassemble and install as before.



Slightly push upwards with your thumb until the latch hook disconnects, then remove.

### Cleaning the interior & exterior of the Dryer

Do not wash directly with water.

Do not use thinner, gasoline or alcohol.

Do not use any type of spray cleaner when cleaning the interior. If dryer drum becomes stained, clean the drum with a damp cloth.

Remove any residue before drying the next load.

Clean cabinet with mild soap and water. Do not use harsh or abrasive cleaners, this could damage the dryer.



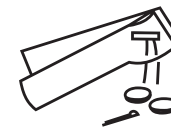
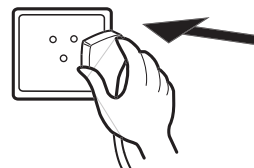
## WARNING: Regularly clean the lint trap



## Laundry Preparation

### Electrical Requirements

The unit is required to be plugged into a three pin socket that is reliably grounded. Plug the power cord into the socket.



- Check the items to be dried do not have combustible materials or foreign objects within them i.e.: lighters, hair pins, coins.

- Turn items with zippers inside out and fasten buckles.



### Loading the dryer

It is recommended that items are placed into the dryer one at a time. This ensures they are not tangled which results in uneven drying. When closing the dryer door prior to starting the unit ensures that items are not jammed in the door.



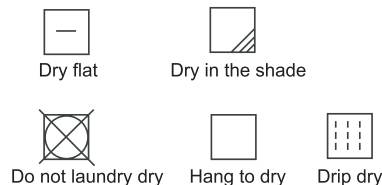
- Dryer heat may permanently set stains, ensure you check prior to drying that stains are removed

- Separate dark and light colored items as you would do when washing.
- For best results load the dryer with similar fabrics. Place small delicate items in a mesh bag and do not overload the dryer.

The maximum mass is rated capacity of dry textile material for the dryer and do not overload. The laundry dryer is intended only for drying textile material washed in water.

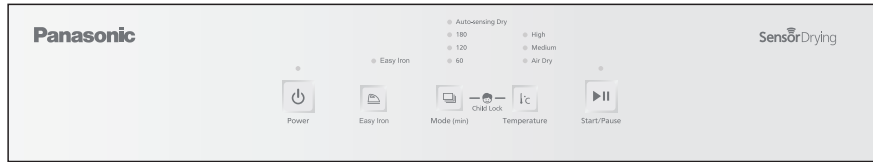
### Tips before drying

Prior to loading the dryer check that the items do not have the following symbols anywhere on them. If they do, do not laundry dry these items.



- Regarding the cleaning of the filter cover, it is recommended to keep it clean after each use, because every time cleaning can reduce the drying time and extend the life of the filter. In addition, under normal operation, the service life of the Exhaust filter is 400 cycles, and the service life of the Lint filter is 800 cycles

## Control Panel Functions



### Power Button

Press this button to power on and the buzzer emits 1 beep or to power off and the buzzer emits 1 beep. When drying operation end, the buzzer emits 8 beeps and the light will automatically turn off after 12 seconds. But please make sure the dryer will turn off when not in use.

### Easy Iron

Touch this button to activate the Easy Iron program. The light above the button will come on, indicating that the Easy Iron program has been selected. When this program is selected, the dryer will add an 8-10 minute air-dry cycle after the set drying program. During this cycle only cool air (no heat) will be generated to help prevent creasing of the items just dried. **NOTE:** To ensure you get the most out of the Easy Iron function, do not overload the dryer. Remove the dried items from the dryer immediately and hang on coat hangers or fold.

### Mode

Press the program button to cycle through the options.

- a) **Auto-sensing Dry\*:** The dryer will stop working when it detect that the laundry has been dried. Note: The Maximum running time of this program don't exceed 220 min. Certain materials may not be dry enough by the end of the cycle, if this occurs please try a fixed program instead. Not recommended for loads less than 2 Kg.
- b) **180min (for 7kg):** Select this program to run for 180 minutes to dry clothes.  
**220min (for 8kg):** Select this program to run for 220 minutes to dry clothes.
- c) **120min:** Select this program to run for 120 minutes to dry clothes.
- d) **60min:** Select this program to run for 60 minutes to dry clothes.

### Temperature Button

Press this button to cycle through the temp options.

- a) **High:** On this setting the dryer is working with two sets of heating elements running simultaneously, providing the strongest hot airflow.
- b) **Medium:** On this setting the dryer is working with one set of heating elements, providing the medium hot airflow.
- c) **Air Dry:** On this setting the heating elements don't work. This function runs with cool air, primarily to air items that require freshening.

### Start / Pause

Press this button to start or pause the dryer options.

If the door is opened during operation, close the door and push this button to restart the dryer. Push "Pause" button to change the program, then push "Start" to restart a new program.

### Child Lock

Push "Mode" and "Temperature" at the same time for 3 seconds until "Child Lock" light comes on and the program is locked. All other buttons are locked. Push "Mode" and "Temperature" at the same time for 3 seconds to unlock.

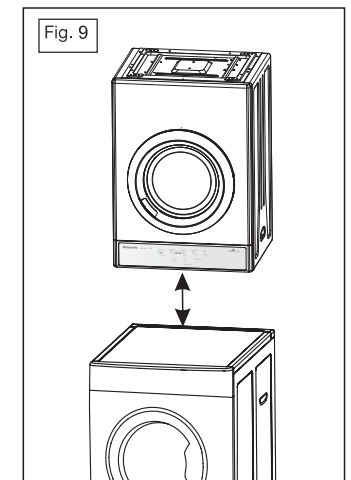
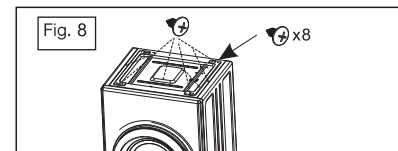
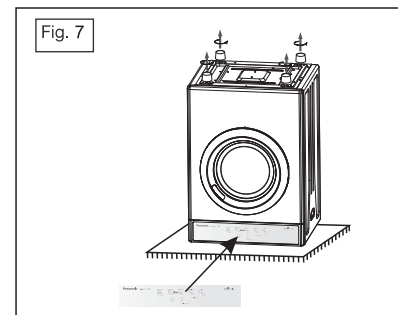
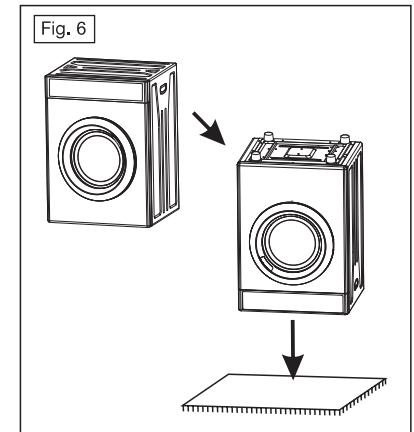
\* "Auto-sensing Dry" cycle is the recommended cycle for cotton items.

## Getting Started: Installation(Cont.)

### Upside down installation

The dryer can be installed upside down, if this suits your setup better. To prepare the unit for upside down installation, proceed as follows:

1. Place the dryer upside down on a firm horizontal surface, such as on a table or benchtop (Fig. 6).
2. Take the additional printed control panel from the wall-mounting kit and place it over the existing panel (Fig. 7).
3. Remove the four legs from the dryer
4. Install 8 pcs M6 Short Screws into the 8 holes on the cabinet bottom.(Fig. 8)
5. The dryer is now ready for upside down installation (Fig. 9).

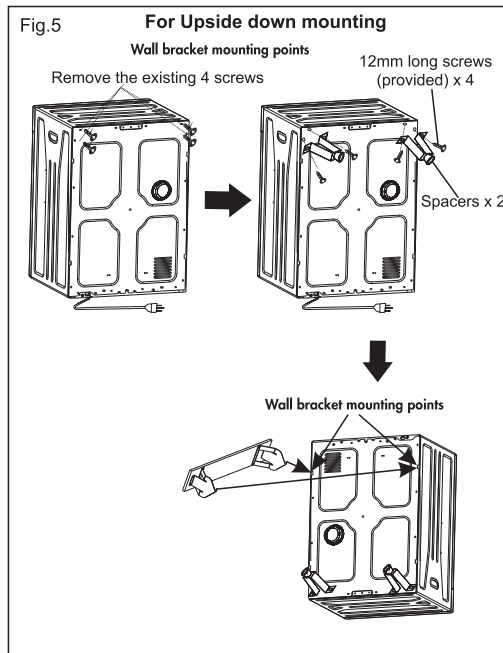
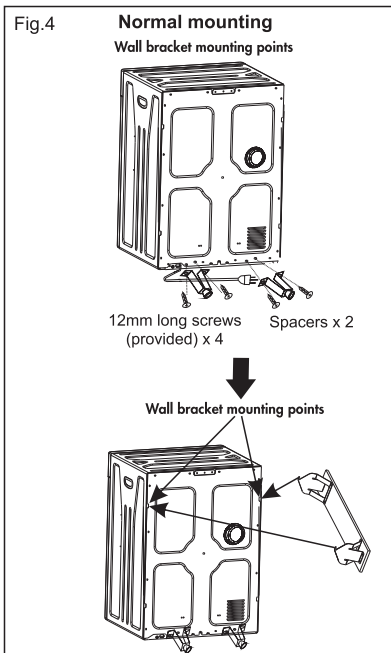
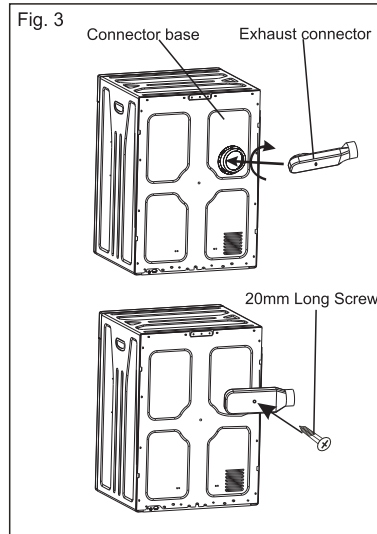
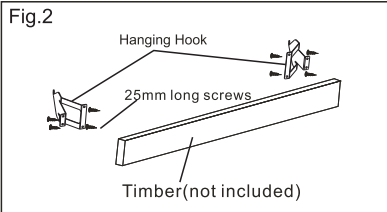


\* **This upside down setting is recommended to combine with Wall mounting installation or in any case which the dryer is over height from human using requirement. Do NOT operate the dryer on top of a washing machine without the use of a suitable stacking kit (was not provided from Panasonic). Failure to do so could cause injury.**

\* **This operation is only available for Malaysia, Singapore and New Zealand.**

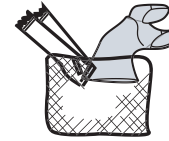
# Installation Instruction

- To install the hanging hook to timber, start at Fig 2.
- Align hanging hooks and fasten screws tightly.
- Install the exhaust connector. Rotate the exhaust connector clockwise to fix it on the connector base. (as per Fig.3).
- Then install the 20mm long screw to fix it.
- For Normal mounting:**  
Using 4 x 12mm screws (provided) to fix the 2 spacers as per Fig 4.
- For upside down mounting:**  
Remove the existing 4 screws and using 4 x 12mm screws (provided) to fix the 2 spacers as per Fig.5
- With assistance, mount dryer on wall bracket  
See Fig.4 Fig.5 final picture



# Operation Precaution

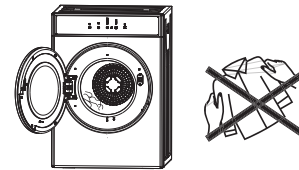
Delicate items should be placed into a nylon net bag prior to drying. It is not recommended to dry under wire bras in this unit.



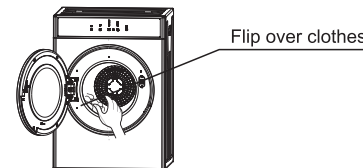
Ensure that foreign objects do not find their way into the dryer. All pockets should be emptied, buttons, buckles and zips fastened. This will also help reduce impact noise when the items hit against the turning drum.



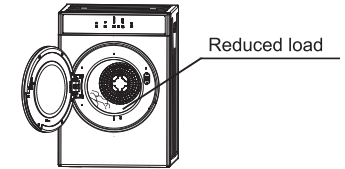
Do not add items into the dryer whilst it is in operation.



If drying large items such as a blanket, it is recommended that from time to time you open the dryer door, shake the item, place the item back in the dryer and close the door. This will ensure even drying



To ensure you get the most out of the Easy Iron function do not overload the dryer and remove the dried items from the dryer immediately and hang on coat hangers. Iron the items if desired.



To minimize the risk of fire in a laundry dryer, the following should be observed:

- Items that have been spotted or soaked with vegetable or cooking oil constitute a fire hazard and should not be placed in a laundry dryer.

**Oil-affected items can ignite spontaneously, especially when exposed to heat sources such as in a laundry dryer. The items become warm, causing an oxidation reaction in the oil. Oxidation creates heat. If the heat cannot escape, the items can become hot enough to catch fire. Piling, stacking or storing oil-affected items can prevent heat from escaping and so create a fire hazard.**

Relating to loading capacity or drum temperature, there are some cases the drying operation will be finished earlier than you selected.

## Operation Precaution

If it is unavoidable that fabrics that contain vegetable or cooking oil or have been contaminated by hair care products be placed in a laundry dryer they should first be washed in hot water with extra detergent this will reduce, but not eliminate, the hazard.

“Easy Iron” function with 10min cool down cycle should be used after the high heat cycles to reduce the temperature of the items. They should not be taken out from the dryer or piled or slacked while hot.

Items that have been previously cleaned in, washed in, soaked in or spotted with petrol/gasoline, dry-cleaning solvents or other flammable or explosive substances should not be placed in a laundry dryer.

Highly flammable substances commonly used in domestic environments include acetone, denatured alcohol, petrol/gasoline, kerosene, spot removers(some brands), turpentine, waxes and wax removers.

- Items containing foam rubber (also known as latex foam) or similarly textured rubber, like materials should not be dried in a laundry dryer on a heat setting.

Foam rubber materials can, when heated, produce fire by spontaneous combustion.

- Fabric softeners or similar products should not be used in a laundry dryer to eliminate the effects of static electricity unless this practice is specifically recommended by the manufacturer of the fabric softener or product.

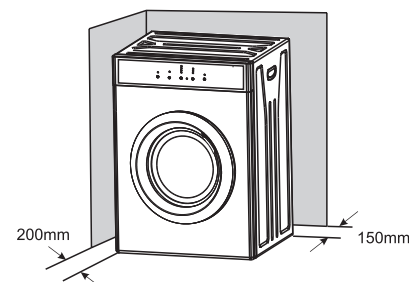
- Undergarments that contain metal reinforcements should not be placed in a laundry dryer.

Damage to the laundry dryer can result if metal reinforcements come loose during drying. When available a drying rack could be used for such items.

- Plastic articles such as shower caps or babies' waterproof napkin covers should not be placed in a laundry dryer.
- Rubber-backed articles, clothes fitted with foam rubber pads, pillows, galoshes and rubber-coated tennis shoes should not be placed in a laundry dryer.

## Installation Instruction

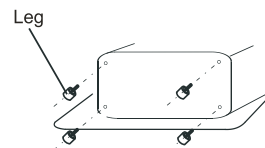
### Installation Instructions



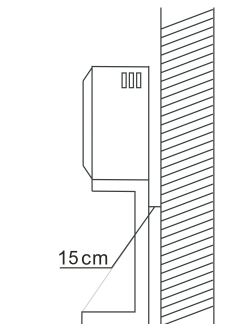
Place the dryer in a dry well ventilated area. It should be positioned away from heat and direct sunlight.

If the dryer is not wall mounted, it must be placed on firm horizontal ground. Do not place the dryer on carpet as this will block the intake. There should be at least 15cm between the dryer and the walls.

The dryer comes with fixed legs that need to be assembled to ensure stability.



If the dryer is rack mounted. A secure bracket is required to ensure stability and prevent vibration. At least 15cm between the dryer and walls is required(The bracket is not included).



### Wall Mounting Instructions

1. Determine dryer position on wall and mark required bracket position.

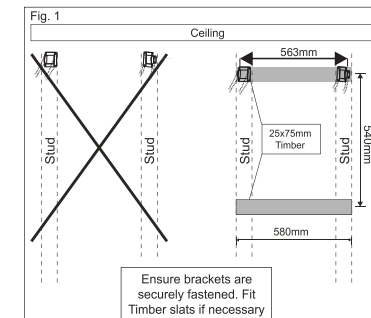
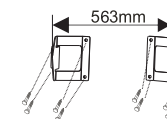
\* A minimum 50mm is needed between the top of the dryer and the ceiling for ease of installation.

\* If mounting above a washing machine, allow sufficient room to open the lid of the washer.

Tools required		
Tools & parts required for Plaster/ wooden wall	Drill & 3mm Bit	1
	Phillips Head Screw Driver	1
	Wood Screws, $\phi 12 \times 50$ mm Timber Screws	4
	Helper to lift dryer onto wall	1

Wall Mounting Kit Includes			
Description	Hanging brackets		2
	Plastic Spacers		2
	Exhaust connector		1
	25mm Long Screws		8
	12mm Long Screws		4
	20mm Long Screws		1

2. Fix the wall hanging brackets (2 supplied) to the wall securely (eg. into the stud.) Fit a timber slat between the studs to mount the brackets onto if the stud position is too wide.



- Note:
- \* Please make sure no electricity behind the screw position on the wall.
  - \* Ensure the wall strength allow for this mounting installation.