

CEILING MOUNTED

Model No.
 S-18PT2Q6 S-34PT2Q6
 S-21PT2Q6 S-43PT2Q6
 S-24PT2Q6 S-48PT2Q6
 S-30PT2Q6



TECHNICAL FOCUS

- Random Auto Restart
- Auto Fan Mode
- Weekly Timer (Wired Remote Controller Only)
- 24-Hour On/Off Real Setting Timer
- Odor Wash
- Economy Mode
- Dry Mode Function
- Self-Diagnostic Function
- Selectable Thermo Sensor (Wired Remote Controller Only)



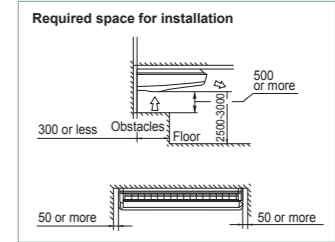
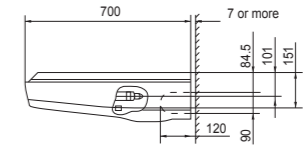
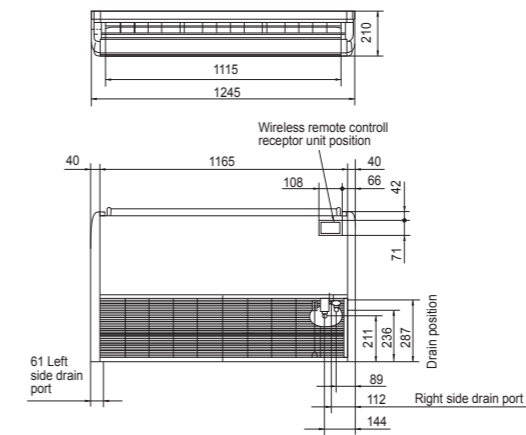
Accessories

Selectable Remote Controller



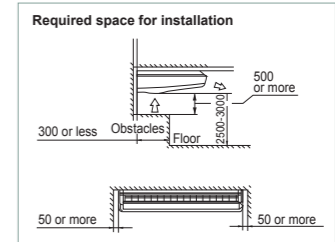
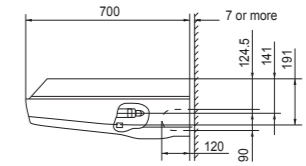
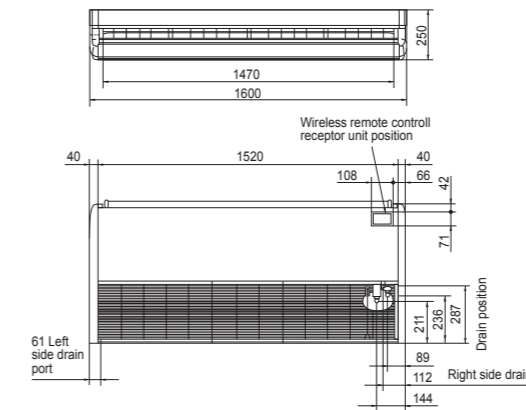
CZ-RD513C CZ-RL013T

Dimensions (S-18PT2Q6 / S-21PT2Q6 / S-24PT2Q6)



unit:mm

Dimensions (S-30PT2Q6 / S-34PT2Q6 / S-43PT2Q6 / S-48PT2Q6)



unit:mm

Capacity [Btu/h]		17,100	20,500	24,200	29,000	34,100	42,700	47,800
Power Source	V/Phase Hz	230 V, 1Ø Phase - 60 Hz						
Indoor		S-18PT2Q6	S-21PT2Q6	S-24PT2Q6	S-30PT2Q6	S-34PT2Q6	S-43PT2Q6	S-48PT2Q6
Outdoor		U-18PS2Q6	U-21PS2Q6	U-24PS2Q6	U-30PS2Q6	U-34PS2Q6	U-43PS2Q6	U-48PS2Q6
Cooling Capacity: Rated (Min-Max)	kW	5.00 [2.00-5.60]	6.00 [2.00-6.30]	7.10 [2.00-8.00]	8.50 [2.00-10.00]	10.00 [3.80-11.20]	12.50 [3.80-12.70]	14.00 [3.80-15.40]
	Btu/h	17,100 [6,820-19,100]	20,500 [6,820-21,500]	24,200 [6,820-27,300]	29,000 [6,820-34,100]	34,100 [13,000-38,200]	42,700 [13,000-43,300]	47,800 [13,000-52,600]
Current: Rated (Max)	A	6.3 [9.5]	8.3 [11.0]	10.6 [13.0]	11.9 [14.5]	13.7 [24.0]	20.0 [26.0]	24.4 [28.0]
Power Input: Rated (Min-Max)	kW	1.40 [0.60-1.90]	1.85 [0.60-2.10]	2.37 [0.70-2.80]	2.66 [0.70-3.50]	3.03 [1.30-4.00]	4.42 [1.30-4.80]	5.39 [1.30-5.80]
	W/W	3.57	3.24	3.00	3.20	3.30	2.83	2.60
COP / EER	Btu/hW	12.21	11.08	10.21	10.90	11.25	9.66	8.87
Indoor Unit								
Air Volume	m ³ /min	17.0	17.0	18.0	30.0	30.0	32.0	34.0
Sound Pressure Level (Hi/Lo)	dB [A]	43 / 39	43 / 39	45 / 41	47 / 43	47 / 43	49 / 45	50 / 46
Sound Power Level (Hi/Lo)	dB	58 / 54	58 / 54	60 / 56	62 / 58	62 / 58	64 / 60	65 / 61
Dimension	Indoor (H×W×D)	mm	210 × 1,245 × 700	210 × 1,245 × 700	210 × 1,245 × 700	250 × 1,600 × 700	250 × 1,600 × 700	250 × 1,600 × 700
Net Weight		kg	33	33	33	43	43	48
Outdoor Unit								
Sound Pressure Level	dB [A]	48	48	48	49	53	54	56
Sound Power Level	dB	64	64	64	64	67	68	70
Dimension	Outdoor (H×W×D)	mm	695 × 875 × 320	695 × 875 × 320	695 × 875 × 320	695 × 875 × 320	996 × 980 × 370	996 × 980 × 370
Net Weight		kg	41	41	43	43	72	74
Piping Connection	Gas Pipe	mm (inch)	15.88 [5/8]	15.88 [5/8]	15.88 [5/8]	15.88 [5/8]	15.88 [5/8]	15.88 [5/8]
	Liquid Pipe	mm (inch)	9.52 [3/8]	9.52 [3/8]	9.52 [3/8]	9.52 [3/8]	9.52 [3/8]	9.52 [3/8]
Pipe Length	Min-Max	m	7.5-50	7.5-50	7.5-50	7.5-50	7.5-50	7.5-50
Elevation Difference		m	25	25	30	30	30	30
Maximum Chargeless Length	Max	m	30	30	30	30	30	30
Additional Gas		g/m	50	50	50	50	50	50
Operating Range, Outdoor	Min-Max	°C	16-43	16-43	16-43	16-43	16-43	16-43