

CEILING EXPOSED

Model No.
 S-18PT2H5 S-35PT1H5
 S-21PT2H5 S-45PT1H5
 S-24PT2H5 S-55PT1H5
 S-30PT2H5



TECHNICAL FOCUS

- Random Auto Restart
- Auto Fan Mode
- Weekly Timer (Wired Remote Controller only)
- 24-Hour On/Off Real Setting Timer
- Odor Wash
- Economy Mode
- Dry Mode Function
- Self-Diagnostic Function
- Selectable Thermo Sensor (Wired Remote Controller Only)



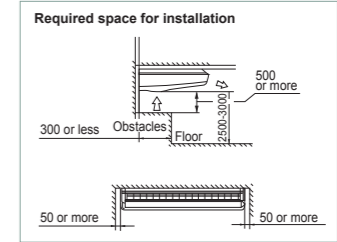
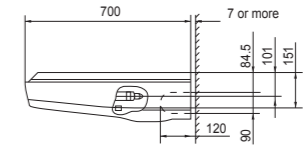
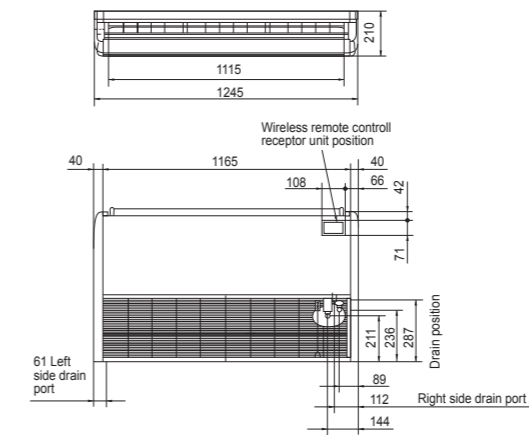
Accessories

Selectable Remote Controller



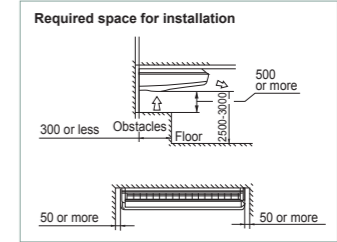
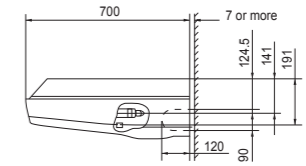
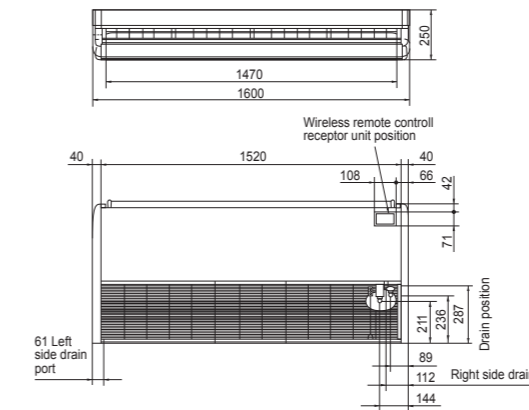
CZ-RD513C CZ-RL013T

Dimensions (S-18PT2H5 / S-21PT2H5 / S-24PT2H5)



unit:mm

Dimensions (S-30PT2H5 / S-35PT1H5 / S-45PT1H5 / S-55PT1H5)



unit:mm

Capacity [Btu/h]		17,100	20,500	24,200	29,000	34,100	41,000	47,800
Power Source	V/Phase Hz	220 V, 1Ø Phase - 50 Hz						
Indoor		S-18PT2H5	S-21PT2H5	S-24PT2H5	S-30PT2H5	S-35PT1H5	S-45PT1H5	S-55PT1H5
Outdoor		U-18PS2P5	U-21PS2P5	U-24PS2P5	U-30PS2P5	U-34PS2P5	U-43PS2P5	U-48PS2P5
Cooling Capacity: Rated (Min-Max)	kW	5.00 (2.00-5.60)	6.00 (2.00-6.30)	7.10 (2.00-8.00)	8.50 (2.00-10.00)	10.00 (3.80-11.20)	12.00 (3.80-12.70)	14.00 (3.80-15.40)
	Btu/h	17,100 (6,820-19,100)	20,500 (6,820-21,500)	24,200 (6,820-27,300)	29,000 (6,820-34,100)	34,100 (13,000-38,200)	41,000 (13,000-43,300)	47,800 (13,000-52,600)
Current: Rated (Max)	A	6.6 (9.5)	8.7 (11.0)	11.1 (13.0)	13.0 (14.5)	15.3 (24.0)	21.0 (26.0)	26.3 (28.0)
Power Input: Rated (Min-Max)	kW	1.40 (0.60-1.90)	1.85 (0.60-2.10)	2.37 (0.70-2.80)	2.77 (0.70-3.50)	3.23 (1.30-4.00)	4.44 (1.30-4.80)	5.56 (1.30-5.80)
	W/W	3.57	3.24	3.00	3.07	3.10	2.70	2.52
COP / EER	Btu/hW	12.21	11.08	10.21	10.47	10.56	9.23	8.60
Indoor Unit								
Air Volume	m ³ /min	17.0	17.0	18.0	29.0	29.0	31.0	32.0
Sound Pressure Level (Hi/Lo)	dB [A]	43 / 39	43 / 39	45 / 41	47 / 43	47 / 43	49 / 45	50 / 46
Sound Power Level (Hi/Lo)	dB	58 / 54	58 / 54	60 / 56	62 / 58	62 / 58	64 / 60	65 / 61
Dimension	Indoor (H×W×D)	mm	210 × 1,245 × 700	210 × 1,245 × 700	210 × 1,245 × 700	250 × 1,600 × 700	250 × 1,600 × 700	250 × 1,600 × 700
Net Weight		kg	33	33	43	43	48	48
Outdoor Unit								
Sound Pressure Level	dB [A]	48	48	48	49	53	54	56
Sound Power Level	dB	64	64	64	64	67	68	70
Dimension	Outdoor (H×W×D)	mm	695 × 875 × 320	695 × 875 × 320	695 × 875 × 320	695 × 875 × 320	996 × 980 × 370	996 × 980 × 370
Net Weight		kg	41	41	43	43	72	81
Piping Connection	Gas Pipe	mm (inch)	15.88 (5/8)	15.88 (5/8)	15.88 (5/8)	15.88 (5/8)	15.88 (5/8)	15.88 (5/8)
	Liquid Pipe	mm (inch)	9.52 (3/8)	9.52 (3/8)	9.52 (3/8)	9.52 (3/8)	9.52 (3/8)	9.52 (3/8)
Pipe Length	Min-Max	m	7.5-50	7.5-50	7.5-50	7.5-50	7.5-50	7.5-50
Elevation Difference		m	25	25	30	30	30	30
Maximum Chargeless Length	Max	m	30	30	30	30	30	30
Additional Gas		g/m	50	50	50	50	50	50
Operating Range, Outdoor	Min-Max	°C	16-43	16-43	16-43	16-43	16-43	16-43