

Model No.
 S-22PF1H5 S-45PF1H5
 S-28PF1H5 S-55PF1H5
 S-35PF1H5



TECHNICAL FOCUS

- Total Cooling Coverage
- Flexible Installation
- Easy Installation
- Easy Maintenance & Cleaning



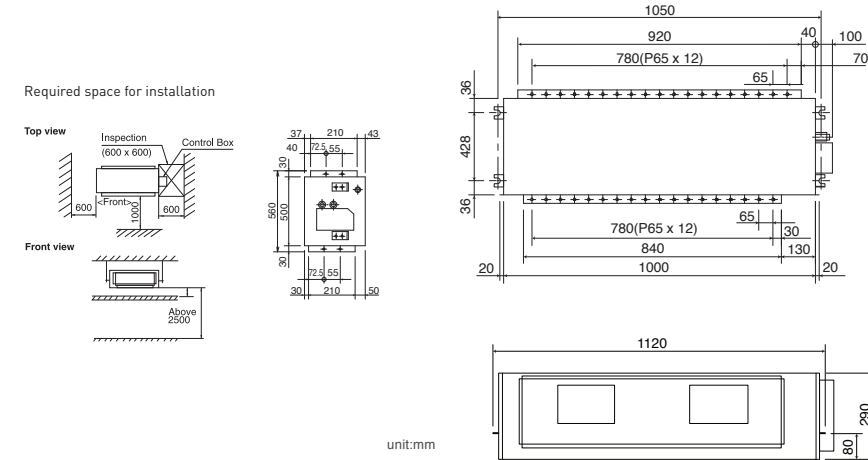
Remote Controller



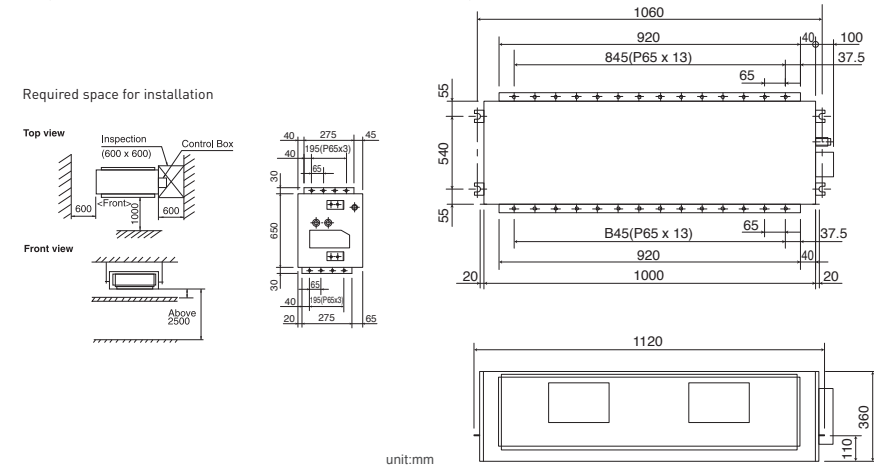
CZ-RD513C

A wired controller is in the same package with the indoor unit.

Dimensions (S-22PF1H5 / S-28PF1H5)



Dimensions (S-35PF1H5 / S-45PF1H5 / S-55PF1H5)



Capacity [Btu/h]		22,500	28,000	36,000	42,500	51,000
Power Source	V/Phase Hz	220 V, 1Ø Phase - 50 Hz			380 V, 3Ø phase - 50Hz	
Indoor		S-22PF1H5	S-28PF1H5	S-35PF1H5	S-45PF1H5	S-55PF1H5
Outdoor		U-22PV1P5	U-28PV1P5	U-35PV1P8	U-45PV1P8	U-55PV1P8
Cooling Capacity: Rated	kW	6.59	8.21	10.55	12.45	14.95
	Btu/h	22,500	28,000	36,000	42,500	51,000
Current	A	10.0	13.3	7.0	7.8	9.7
Power Input: Rated	kW	2.16	2.87	4.06	4.53	5.58
	W/W	3.05	2.86	2.60	2.75	2.68
EER	Btu/hW	10.40	9.75	8.87	9.38	9.14
External Static Pressure	Pa (mm Ag)	69 [7]	69 [7]	98 [10]	98 [10]	98 [10]
Indoor Unit						
Air Volume	m ³ /min	22.0	22.0	45.0	45.0	45.0
Sound Pressure Level (Hi/Lo)	dB (A)	45 / 41	45 / 41	49 / 45	49 / 45	49 / 45
Sound Power Level (Hi/Lo)	dB	60 / 56	60 / 56	64 / 60	64 / 60	64 / 60
Dimension	Indoor (H×W×D)	mm	290 × 1,100 × 500	290 × 1,100 × 500	360 × 1,100 × 650	360 × 1,100 × 650
Net Weight	kg	31	31	43	43	43
Outdoor Unit						
Sound Pressure Level	dB (A)	52	56	56	56	56
Sound Power Level	dB	68	71	70	70	70
Dimension	Outdoor (H×W×D)	mm	695 × 875 × 320	695 × 875 × 320	996 × 980 × 370	1,170 × 900 × 320
Net weight	kg	55	57	86	86	94
Piping Connection	Gas Pipe	mm (inch)	15.88 [5/8"]	15.88 [5/8"]	15.88 [5/8"]	15.88 [5/8"]
	Liquid Pipe	mm (inch)	9.52 [3/8"]	9.52 [3/8"]	9.52 [3/8"]	9.52 [3/8"]
Pipe Length	Min-Max	m	7.5 - 30	7.5 - 45	7.5 - 50	7.5 - 50
Elevation Difference			20	25	30	30
Maximum Chargeless Length	Max	m	7.5	7.5	30	30
Additional Gas	g/m	25	30	50	50	50
Operating Range, Outdoor	Min-Max	°C	16 - 43	16 - 43	16 - 43	16 - 43