

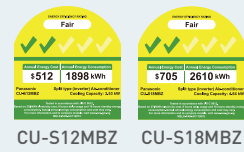
MINI CASSETTE

Model No.
CS-S12MB4ZW
CS-S18MB4ZW



TECHNICAL FOCUS

- 4-Way Airflow System
- LCD Wireless Remote Controller
- Random Auto Restart
- Removable Washable Panel
- 24 Hours Real On Off Timer
- Dew Prevention Control
- Anti Freezing Control



CU-S12MBZ CU-S18MBZ



Accessories

Panel



CZ-BT20EW

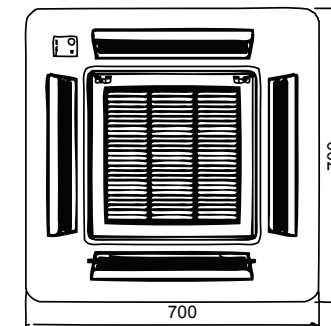
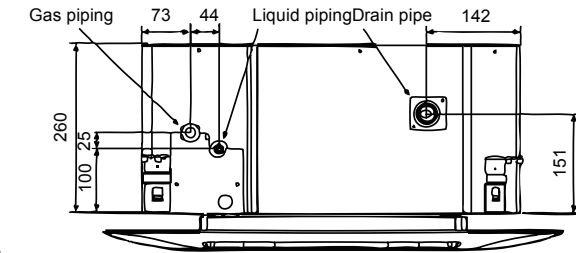
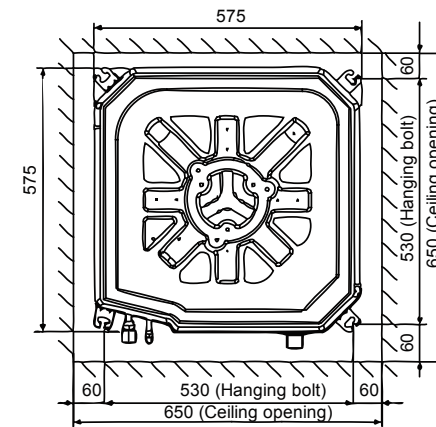
Selectable Remote Controller



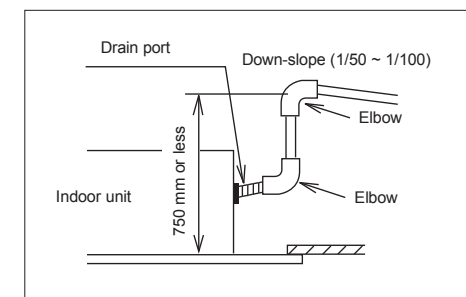
A wireless remote controller is in the same package with the indoor unit.

Capacity [Btu/h]		11,600	16,000
Power Source	V/Phase Hz	220-240 V, 1Ø Phase - 50 Hz	
Indoor		CS-S12MB4ZW	CS-S18MB4ZW
Outdoor		CU-S12MBZ	CU-S18MBZ
Panel		CZ-BT20EW	CZ-BT20EW
Cooling Capacity: Rated (Min-Max)	kW	3.40 [0.93-4.40]	4.70 [0.98-5.60]
	Btu/h	11,600 [3,170-15,000]	16,000 [3,340-19,100]
Current: Rated	A	4.8-4.5	6.3-5.9
Power Input: Rated (Min-Max)	kW	0.98 [0.26-1.33]	1.34 [0.27-1.65]
	W/W	3.47	3.51
Rated COP / EER	Btu/hW	11.84	11.94
	W/W	4.08	4.01
Weighted COP / EER*	Btu/hW	13.92	13.68
	W/W		
Indoor Unit			
Air Volume	m ³ /min	10.5	11.3
Sound Pressure Level* (Hi/Lo/Q-Lo)	dB (A)	34 / 26 / 23	38 / 28 / 25
Dimension	Indoor (H×W×D)	mm	260 × 575 × 575
	Panel (H×W×D)	mm	51 × 700 × 700
Net Weight	Indoor	kg	18.0
	Panel	kg	2.5
Outdoor Unit			
Sound Pressure Level (Hi)	dB (A)	47-48	49-50
Dimension	Outdoor (H×W×D)	mm	540 × 780 × 289
		kg	31.0
Net Weight		kg	44.0
Piping Connection	Gas Pipe	mm (inch)	12.70 (1/2)
	Liquid Pipe	mm (inch)	6.35 (1/4)
Pipe Length	Min-Max	m	3.0-15.0
Elevation Difference		m	15.0
Maximum Chargeless Length	Max	m	7.5
Additional Gas		g/m	15
Operating Range, Outdoor	Min-Max	°C	16-43

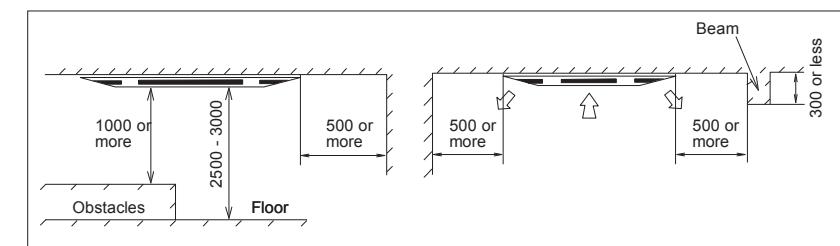
Dimensions



When raising the drain head above the unit



Required space for installation



Unit:mm