

4-WAY CASSETTE NEW

Model No.
 S-18PU2H5-8 S-34PU2H5-8
 S-21PU2H5-8 S-43PU2H5-8
 S-24PU2H5-8 S-48PU2H5-8
 S-30PU2H5-8



TECHNICAL FOCUS

- nanoe™ X for Air Purification
- Powerful Airflow
- Wide Flap
- Simplistic Design
- LCD Wireless Remote Controller
- Easy Installation Design



Accessories

Panel



CZ-KPU3H

Selectable Remote Controller



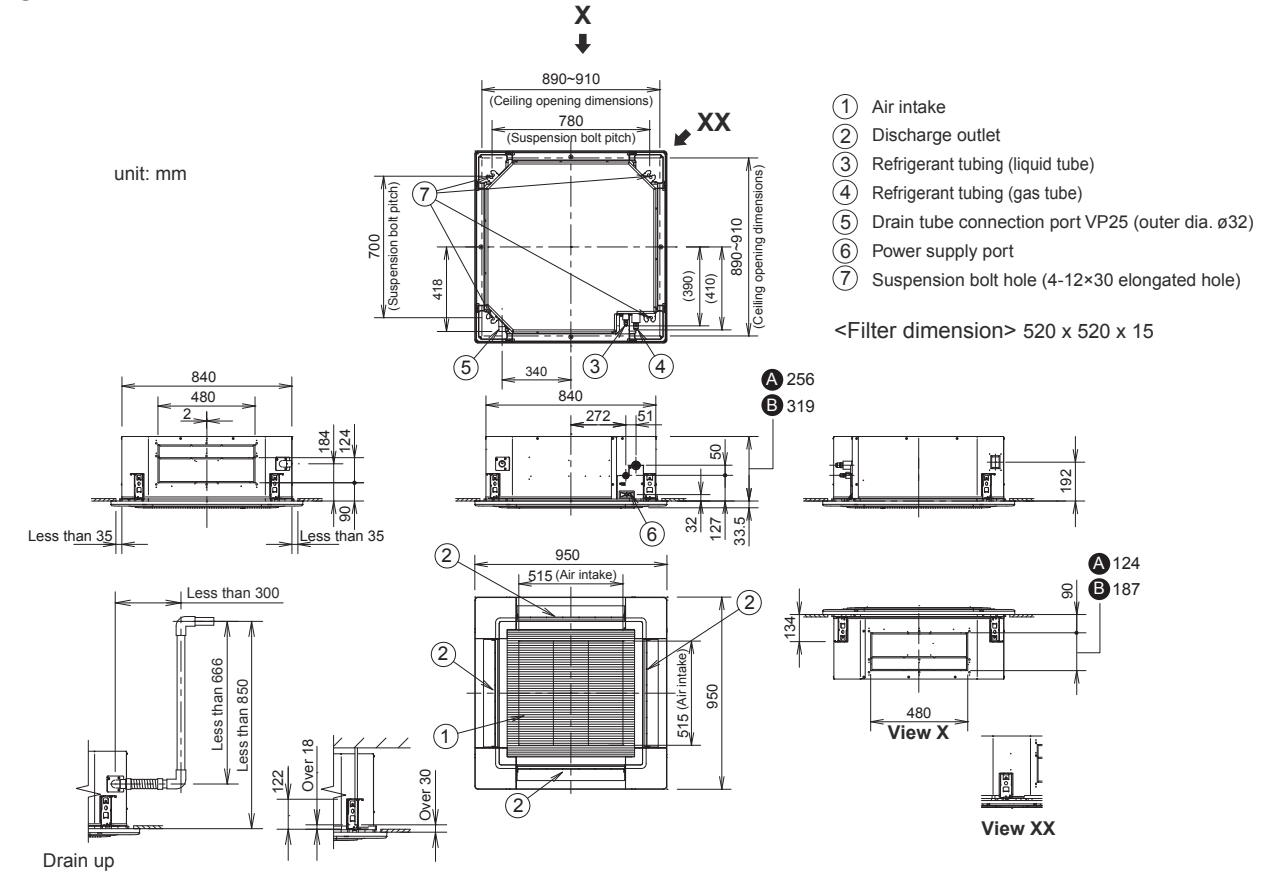
CZ-RD513C



CZ-RL013UH

Dimensions

- A [S-18PU2H5-8 / S-21PU2H5-8 / S-24PU2H5-8 / S-30PU2H5-8]
- B [S-34PU2H5-8 / S-43PU2H5-8 / S-48PU2H5-8]



- ① Air intake
- ② Discharge outlet
- ③ Refrigerant tubing (liquid tube)
- ④ Refrigerant tubing (gas tube)
- ⑤ Drain tube connection port VP25 (outer dia. ø32)
- ⑥ Power supply port
- ⑦ Suspension bolt hole (4-12×30 elongated hole)

<Filter dimension> 520 x 520 x 15

* Adjust the suspension bolt length so that the gap from the lower ceiling surface becomes 30 mm or more (18 mm or more from the lower surface of the body) as shown in the figure. When the suspension bolt length is long, it hits the ceiling panel and installation is not possible.

Capacity [Btu/h]		17,100	20,500	24,200	29,000	34,100	42,700	47,800	
Power Source	V/Phase Hz	220 V, 1Ø Phase - 50 Hz							
Indoor		S-18PU2H5-8	S-21PU2H5-8	S-24PU2H5-8	S-30PU2H5-8	S-34PU2H5-8	S-43PU2H5-8	S-48PU2H5-8	
Outdoor		U-18PS2H5-8	U-21PS2H5-8	U-24PS2H5-8	U-30PS2H5-8	U-34PS2H5-8	U-43PS2H5-8	U-48PS2H5-8	
Panel		CZ-KPU3H	CZ-KPU3H	CZ-KPU3H	CZ-KPU3H	CZ-KPU3H	CZ-KPU3H	CZ-KPU3H	
Cooling Capacity: Rated (Min-Max)	kW	5.00 [2.00-5.60]	6.00 [2.00-6.30]	7.10 [2.10-8.00]	8.50 [2.10-10.00]	10.00 [3.80-11.20]	12.50 [3.80-13.40]	14.00 [3.80-15.40]	
	Btu/h	17,100 [6,820-19,100]	20,500 [6,820-21,500]	24,200 [7,160-27,300]	29,000 [7,160-34,100]	34,100 [13,000-38,200]	42,700 [13,000-45,700]	47,800 [13,000-52,600]	
Current: Rated [Max]	A	5.6 [9.5]	7.3 [11.0]	8.8 [13.0]	11.9 [14.5]	13.1 [24.0]	20.4 [26.0]	25.5 [28.0]	
Power Input: Rated (Min-Max)	kW	1.19 [0.55-1.70]	1.56 [0.55-1.90]	1.88 [0.65-2.60]	2.54 [0.65-3.30]	2.76 [1.25-4.00]	4.31 [1.25-4.70]	5.39 [1.25-5.90]	
	W/W	4.20	3.85	3.78	3.35	3.62	2.90	2.60	
COP / EER									
	Btu/hW	14.37	13.14	12.87	11.42	12.36	9.91	8.87	
Indoor Unit									
Air Volume	m³/min	22.0	23.0	25.0	25.0	32.0	36.4	36.4	
Sound Pressure Level [Hi/Lo]	dB [A]	39 / 32	39 / 32	41 / 33	41 / 33	44 / 37	47 / 39	47 / 41	
Sound Power Level [Hi/Lo]	dB	54 / 47	54 / 47	56 / 48	56 / 48	59 / 52	62 / 54	62 / 56	
Dimension	Indoor (H×W×D)	mm	256 × 840 × 840	256 × 840 × 840	256 × 840 × 840	256 × 840 × 840	319 × 840 × 840	319 × 840 × 840	319 × 840 × 840
	Panel (H×W×D)	mm	33.5 × 950 × 950	33.5 × 950 × 950	33.5 × 950 × 950	33.5 × 950 × 950	33.5 × 950 × 950	33.5 × 950 × 950	33.5 × 950 × 950
Net Weight	Indoor	kg	21	21	21	21	24	24	
	Panel	kg	5	5	5	5	5	5	
Outdoor Unit									
Sound Pressure Level	dB [A]	48	48	48	49	53	54	56	
Sound Power Level	dB	64	64	64	64	67	68	70	
Dimension	Outdoor (H×W×D)	mm	695 × 875 × 320	695 × 875 × 320	695 × 875 × 320	996 × 980 × 370	996 × 980 × 370	996 × 980 × 370	
Net Weight		kg	41	41	43	43	74	81	
Piping Connection	Gas Pipe	mm (inch)	15.88 [5/8]	15.88 [5/8]	15.88 [5/8]	15.88 [5/8]	15.88 [5/8]	15.88 [5/8]	
	Liquid Pipe	mm (inch)	9.52 [3/8]	9.52 [3/8]	9.52 [3/8]	9.52 [3/8]	9.52 [3/8]	9.52 [3/8]	
Pipe Length	Min-Max	m	7.5-50	7.5-50	7.5-50	7.5-50	7.5-50	7.5-50	
Elevation Difference		m	25	25	30	30	30	30	
Maximum Chargeless Length	Max	m	30	30	30	30	30	30	
Additional Gas		g/m	50	50	50	50	50	50	
Operating Range, Outdoor	Min-Max	°C	16-43	16-43	16-43	16-43	16-43	16-43	