

Model No.
 S-22PT1H5 S-45PT1H5
 S-28PT1H5 S-55PT1H5
 S-35PT1H5

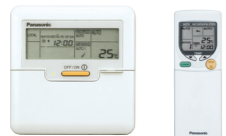


TECHNICAL FOCUS

- Compact Looking, Stylish, One-Motion Design
- Energy-Saving Technology Delivering Top-Class Efficiency
- Comfortable, Long-Distance Air Flow Distribution

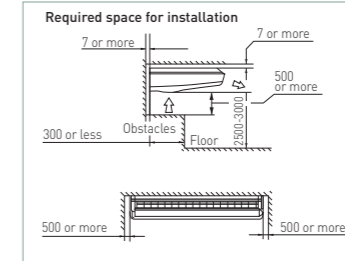
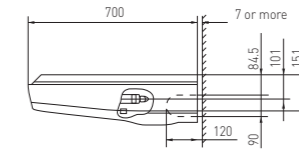
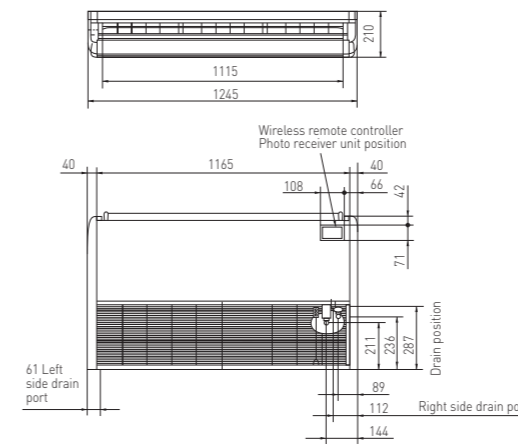


Selectable Remote Controller



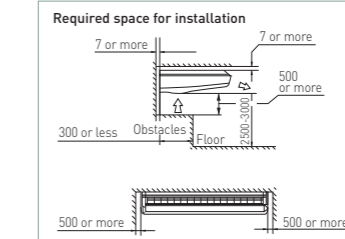
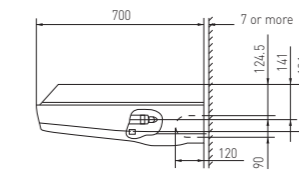
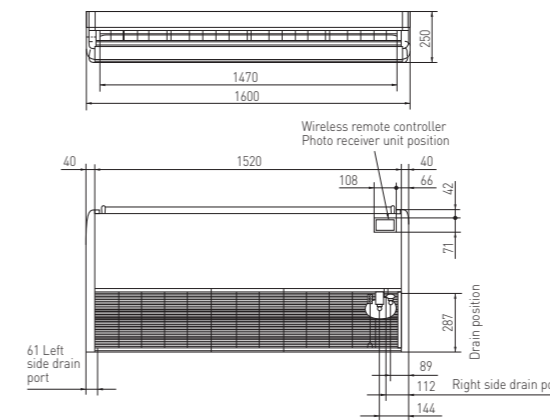
CZ-RD513C CZ-RL013T

Dimensions (S-22PT1H5 / S-28PT1H5)



unit:mm

Dimensions (S-35PT1H5 / S-45PT1H5 / S-55PT1H5)



unit:mm

Capacity [Btu/h]		22,500	27,000	36,500	43,000	51,000
Power Source	V/Phase Hz	220 - 240 V, 10 Phase - 50 Hz			380 - 415 V, 3Ø phase - 50Hz	
Indoor		S-22PT1H5	S-28PT1H5	S-35PT1H5	S-45PT1H5	S-55PT1H5
Outdoor		U-22PV1H5	U-28PV1H5	U-35PV1H8	U-45PV1H8	U-55PV1H8
Cooling Capacity: Rated	kW	6.59	7.91	10.70	12.61	14.95
	Btu/h	22,500	27,000	36,500	43,000	51,000
Current	A	10.0 - 9.2	12.8 - 11.7	6.4 - 6.3	7.4 - 7.3	9.5 - 9.3
Power Input: Rated	kW	2.16	2.75	3.72	4.30	5.44
	W/W	3.05	2.88	2.88	2.93	2.75
EER	Btu/hW	10.40	9.82	9.82	9.99	9.38
Indoor Unit						
Air Volume	m ³ /min	17.0	18.0	29.0	31.0	32.0
Sound Pressure Level (Hi/Lo)	dB (A)	43 / 39	45 / 41	47 / 43	49 / 45	50 / 46
Sound Power Level (Hi/Lo)	dB	58 / 54	60 / 56	62 / 58	64 / 60	65 / 61
Dimension	Indoor (H×W×D)	mm	210 × 1,245 × 700	210 × 1,245 × 700	250 × 1,600 × 700	250 × 1,600 × 700
Net Weight		kg	33	33	43	48
Outdoor Unit						
Sound Pressure Level	dB (A)	52	56	56	56	56
Sound Power Level	dB	68	71	70	70	70
Dimension	Outdoor (H×W×D)	mm	695 × 875 × 320	695 × 875 × 320	996 × 980 × 370	1,170 × 900 × 320
Net weight		kg	55	57	86	94
Piping Connection	Gas Pipe	mm (inch)	15.88 (5/8")	15.88 (5/8")	15.88 (5/8")	15.88 (5/8")
	Liquid Pipe	mm (inch)	9.52 (3/8")	9.52 (3/8")	9.52 (3/8")	9.52 (3/8")
Pipe Length	Min-Max	m	7.5 - 30	7.5 - 45	7.5 - 50	7.5 - 50
Elevation Difference		m	20	25	30	30
Maximum Chargeless Length	Max	m	7.5	7.5	30	30
Additional Gas		g/m	25	30	50	50
Operating Range, Outdoor	Min-Max	°C	16 - 43	16 - 43	16 - 43	16 - 43