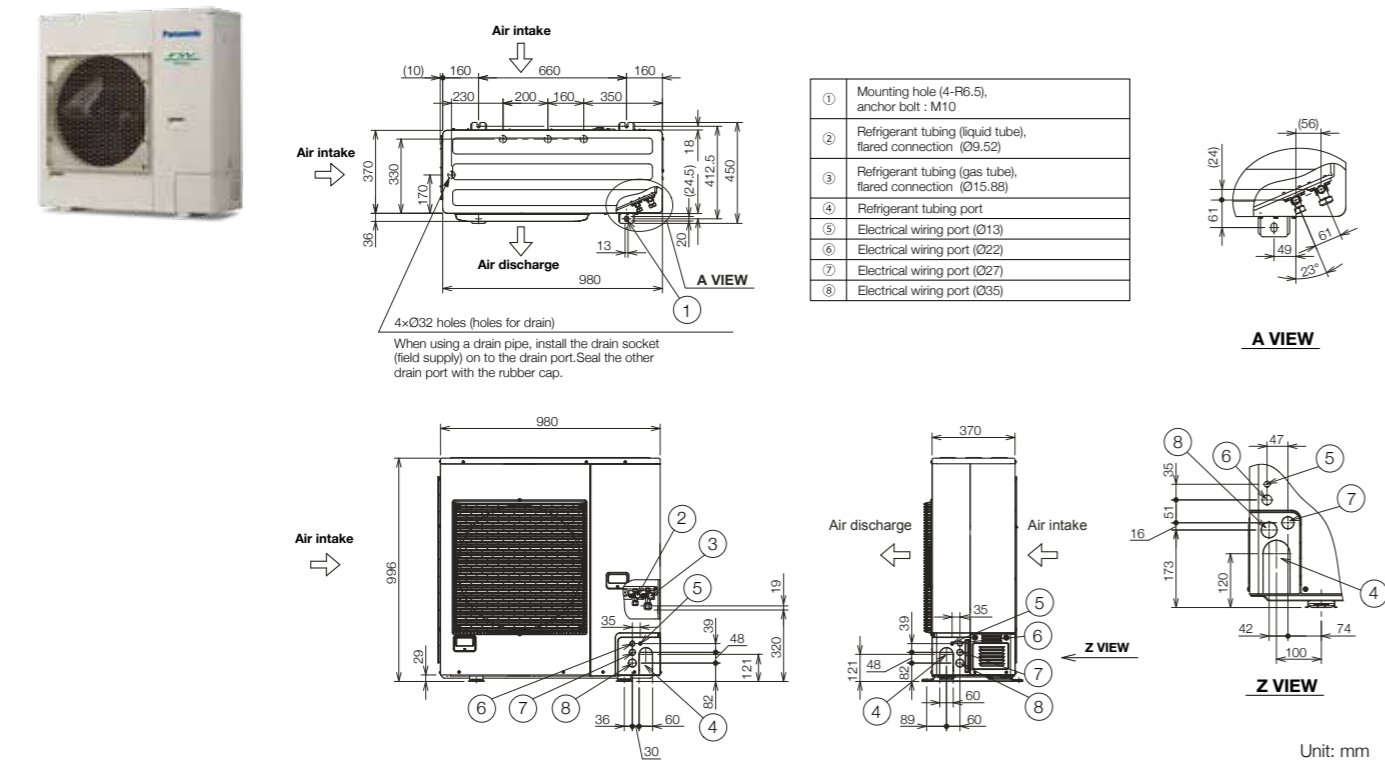


### 2-WAY Mini-FSV LE2 Series

HP	4			4			5			5			6			6																																											
Model name	U-4LE2H4			U-4LE2H7			U-5LE2H4			U-5LE2H7			U-6LE2H4			U-6LE2H7																																											
Power supply	220/230/240V/1-phase/50Hz 220/230V/1-phase/60Hz			380/400/415V/3-phase/50Hz 380/400V/3-phase/60Hz			220/230/240V/1-phase/50Hz 220/230V/1-phase/60Hz			380/400/415V/3-phase/50Hz 380/400V/3-phase/60Hz			220/230/240V/1-phase/50Hz 220/230V/1-phase/60Hz			380/400/415V/3-phase/50Hz 380/400V/3-phase/60Hz																																											
Voltage	220V	230V	240V	380V	400V	415V	220V	230V	240V	380V	400V	415V	220V	230V	240V	380V	400V	415V																																									
Capacity	Cooling		kW			12.1			12.1			14.0			14.0			15.5			15.5																																						
	Heating		kW			12.5			12.5			16.0			16.0			16.5			16.5																																						
EER/COP	Cooling		W/W			5.08			5.08			4.61			4.61			4.27			4.27																																						
	Heating		W/W			5.95			5.95			5.25			5.25			5.08			5.08																																						
Dimensions H x W x D	mm			996 x 980 x 370			996 x 980 x 370			996 x 980 x 370			996 x 980 x 370			996 x 980 x 370			996 x 980 x 370																																								
Net weight	kg			106			106			106			106			106			106																																								
Electrical ratings	Cooling	Running current	A			11.90			11.40			10.90			3.89			3.69			3.56			15.20			14.50			13.90			4.91			4.67			4.50			18.10			17.30			16.60			5.87			5.57			5.37		
		Power input	kW			2.38			2.38			2.38			2.38			3.04			3.04			3.04			3.04			3.04			3.63			3.63			3.63			3.63			3.63			3.63											
	Heating	Running current	A			10.60			10.10			9.70			3.47			3.29			3.18			15.20			14.60			14.0			4.93			4.68			4.51			16.20			15.50			14.90			5.25			4.99			4.81		
		Power input	kW			2.10			2.10			2.10			2.10			2.10			3.05			3.05			3.05			3.05			3.05			3.25			3.25			3.25			3.25			3.25			3.25								
Starting current	A			1			1			1			1			1			1			1			1			1			1			1			1			1			1			1													
Air flow rate	m <sup>3</sup> / min			69			69			72			72			74			74			74			74			74			74			74			74			74																			
	L/s			1,150			1,150			1,200			1,200			1,233			1,233			1,233			1,233			1,233			1,233			1,233			1,233			1,233																			
Refrigerant amount at shipment	kg			R410A 6.70			R410A 6.70			R410A 6.70			R410A 6.70			R410A 6.70			R410A 6.70			R410A 6.70			R410A 6.70			R410A 6.70			R410A 6.70			R410A 6.70			R410A 6.70																						
Piping connection	Gas pipe		mm (inches)			Ø15.88 (Ø5/8)			Ø15.88 (Ø5/8)			Ø15.88 (Ø5/8)			Ø15.88 (Ø5/8)			Ø15.88 (Ø5/8)			Ø15.88 (Ø5/8)			Ø15.88 (Ø5/8)			Ø15.88 (Ø5/8)			Ø15.88 (Ø5/8)			Ø15.88 (Ø5/8)			Ø15.88 (Ø5/8)																							
	Liquid pipe		mm (inches)			Ø9.52 (Ø3/8)			Ø9.52 (Ø3/8)			Ø9.52 (Ø3/8)			Ø9.52 (Ø3/8)			Ø9.52 (Ø3/8)			Ø9.52 (Ø3/8)			Ø9.52 (Ø3/8)			Ø9.52 (Ø3/8)			Ø9.52 (Ø3/8)			Ø9.52 (Ø3/8)			Ø9.52 (Ø3/8)																							
Ambient temperature operating range	Cooling		-10°CDB~+46°CDB			-10°CDB~+46°CDB			-10°CDB~+46°CDB			-10°CDB~+46°CDB			-10°CDB~+46°CDB			-10°CDB~+46°CDB			-10°CDB~+46°CDB			-10°CDB~+46°CDB			-10°CDB~+46°CDB			-10°CDB~+46°CDB			-10°CDB~+46°CDB			-10°CDB~+46°CDB																							
	Heating		-20°CWB~+18°CWB			-20°CWB~+18°CWB			-20°CWB~+18°CWB			-20°CWB~+18°CWB			-20°CWB~+18°CWB			-20°CWB~+18°CWB			-20°CWB~+18°CWB			-20°CWB~+18°CWB			-20°CWB~+18°CWB			-20°CWB~+18°CWB			-20°CWB~+18°CWB			-20°CWB~+18°CWB																							
Sound pressure level (Cooling)	Normal mode		dB(A)			52.0			52.0			53.0			53.0			54.0			54.0			54.0			54.0			54.0			54.0			54.0																							
	Silent mode (3)		dB(A)			45.0			45.0			46.0			46.0			47.0			47.0			47.0			47.0			47.0			47.0			47.0																							
Sound power level (Cooling)	Normal mode		dB			69.0			69.0			71.0			71.0			73.0			73.0			73.0			73.0			73.0			73.0			73.0																							

Global remarks: Rated conditions: Cooling 27°C DB / 19°C WB, Heating 20°C DB, Outdoor air temperature 35°C DB, 7°C DB / 6°C WB. \* As a foot print. \*\* High durable model (with suffix "E") has same specifications.

### Dimensions U-4LE2H4 / U-4LE2H7 U-5LE2H4 / U-5LE2H7 U-6LE2H4 / U-6LE2H7



### 2-WAY Mini-FSV LE1 Series

HP	8			10																			
Model name	U-8LE1H7			U-10LE1H7																			
Power supply	380/400/415V/3-phase/50Hz 380/400V/3-phase/60Hz			380/400/415V/3-phase/50Hz 380/400V/3-phase/60Hz																			
Voltage	380V	400V	415V	380V	400V	415V																	
Capacity	Cooling		kW			22.4			28.0														
	Heating		kW			25.0			28.0														
EER/COP	Cooling		W/W			4.20			3.59														
	Heating		W/W			4.52			4.55														
Dimensions H x W x D	mm			1,500 x 980 x 370			1,500 x 980 x 370																
Net weight	kg			132			133																
Electrical ratings	Cooling	Running current	A			8.70			8.25			7.95			12.7			12.1			11.7		
		Power input	kW			5.33			5.33			5.33			7.80			7.80			7.80		
	Heating	Running current	A			9.05			8.60			8.25			10.0			9.55			9.20		
		Power input	kW			5.53			5.53			5.53			6.15			6.15			6.15		
Starting current	A			1			1			1			1			1							
Air flow rate	m <sup>3</sup> / min			150			150			160			160										
	L/s			2,500			2,500			2,667			2,667										
Refrigerant amount at shipment	kg			R410A 6.30			R410A 6.30			R410A 6.60			R410A 6.60										
Piping connection	Gas pipe		mm (inches)			Ø19.05 (Ø3/4)			Ø19.05 (Ø3/4)			Ø22.22 (Ø7/8)			Ø22.22 (Ø7/8)								
	Liquid pipe		mm (inches)			Ø9.52 (Ø3/8)			Ø9.52 (Ø3/8)			Ø9.52 (Ø3/8)			Ø9.52 (Ø3/8)								
Ambient temperature operating range	Cooling: -10°CDB~+46°CDB, Heating: -20°CWB~+18°CWB			Cooling: -10°CDB~+46°CDB, Heating: -20°CWB~+18°CWB			Cooling: -10°CDB~+46°CDB, Heating: -20°CWB~+18°CWB			Cooling: -10°CDB~+46°CDB, Heating: -20°CWB~+18°CWB			Cooling: -10°CDB~+46°CDB, Heating: -20°CWB~+18°CWB										
Sound pressure level (Cooling)	Normal mode		dB(A)			59.0			59.0			62.0			62.0								
	Silent mode (3)		dB(A)			52.0			52.0			55.0			55.0								
Sound power level (Cooling)	Normal mode		dB			80.0			80.0			83.0			83.0								

Global remarks: Rated conditions: Cooling 27°C DB / 19°C WB, Heating 20°C DB, Outdoor air temperature 35°C DB, 7°C DB / 6°C WB. \* As a foot print. \*\* High durable model (with suffix "E") has same specifications.

### Dimensions U-8LE1H7 / U-10LE1H7

