

2-WAY Mini-FSV LE2 Series

HP	4			5			6														
Model name	U-4LE2H4			U-4LE2H7			U-5LE2H4			U-5LE2H7			U-6LE2H4			U-6LE2H7					
Power supply	220/230/240V/1-phase/50Hz 220/230V/1-phase/60Hz			380/400/415V/3-phase/50Hz 380/400V/3-phase/60Hz			220/230/240V/1-phase/50Hz 220/230V/1-phase/60Hz			380/400/415V/3-phase/50Hz 380/400V/3-phase/60Hz			220/230/240V/1-phase/50Hz 220/230V/1-phase/60Hz			380/400/415V/3-phase/50Hz 380/400V/3-phase/60Hz					
Voltage	220V	230V	240V	380V	400V	415V	220V	230V	240V	380V	400V	415V	220V	230V	240V	380V	400V	415V			
Capacity	Cooling	kW	12.1			12.1			14.0			14.0			15.5			15.5			
		BTU/h	41,300			41,300			47,800			47,800			52,900			52,900			
EER/COP	Cooling	W/W	5.08			5.08			4.61			4.61			4.27			4.27			
		Heating	5.95			5.95			5.25			5.25			5.08			5.08			
Dimensions	H x W x D	996 x 980 x 370			996 x 980 x 370			996 x 980 x 370			996 x 980 x 370			996 x 980 x 370			996 x 980 x 370				
Net weight	kg	106			106			106			106			106			106				
Electrical ratings	Cooling	Running current	A	11.90	11.40	10.90	3.89	3.69	3.56	15.20	14.50	13.90	4.91	4.67	4.50	18.10	17.30	16.60	5.87	5.57	5.37
		Power input	kW	2.38	2.38	2.38	2.38	2.38	3.04	3.04	3.04	3.04	3.04	3.63	3.63	3.63	3.63	3.63	3.63	3.63	3.63
	Heating	Running current	A	10.60	10.10	9.70	3.47	3.29	3.18	15.20	14.60	14.0	4.93	4.68	4.51	16.20	15.50	14.90	5.25	4.99	4.81
		Power input	kW	2.10	2.10	2.10	2.10	2.10	3.05	3.05	3.05	3.05	3.05	3.05	3.05	3.25	3.25	3.25	3.25	3.25	3.25
Starting current	A	1			1			1			1			1			1				
Air flow rate	m ³ / min	69			69			72			72			74			74				
	L/s	1,150			1,150			1,200			1,200			1,233			1,233				
Refrigerant amount at shipment	kg	R410A 6.70			R410A 6.70			R410A 6.70			R410A 6.70			R410A 6.70			R410A 6.70				
Piping connection	Gas pipe	mm (inches)	Ø15.88 (Ø5/8)			Ø15.88 (Ø5/8)			Ø15.88 (Ø5/8)			Ø15.88 (Ø5/8)			Ø15.88 (Ø5/8)			Ø15.88 (Ø5/8)			
	Liquid pipe	mm (inches)	Ø9.52 (Ø3/8)			Ø9.52 (Ø3/8)			Ø9.52 (Ø3/8)			Ø9.52 (Ø3/8)			Ø9.52 (Ø3/8)			Ø9.52 (Ø3/8)			
Ambient temperature operating range	Cooling	-10°CDB~+46°CDB	-10°CDB~+46°CDB			-10°CDB~+46°CDB			-10°CDB~+46°CDB			-10°CDB~+46°CDB			-10°CDB~+46°CDB			-10°CDB~+46°CDB			
	Heating	-20°CWB~+18°CWB	-20°CWB~+18°CWB			-20°CWB~+18°CWB			-20°CWB~+18°CWB			-20°CWB~+18°CWB			-20°CWB~+18°CWB			-20°CWB~+18°CWB			
Sound pressure level (Cooling)	Normal mode	dB(A)	52.0			52.0			53.0			53.0			54.0			54.0			
	Silent mode (3)	dB(A)	45.0			45.0			46.0			46.0			47.0			47.0			
Sound power level (Cooling)	Normal mode	dB	69.0			69.0			71.0			71.0			73.0			73.0			
	Silent mode (3)	dB	62.0			62.0			62.0			62.0			62.0			62.0			

Global remarks	Rated conditions:	Cooling	Heating
	Indoor air temperature	27°C DB / 19°C WB	20°C DB
	Outdoor air temperature	35°C DB	7°C DB / 6°C WB

* As a foot print.
** High durable model (with suffix "E") has same specifications.

2-WAY Mini-FSV LE1 Series

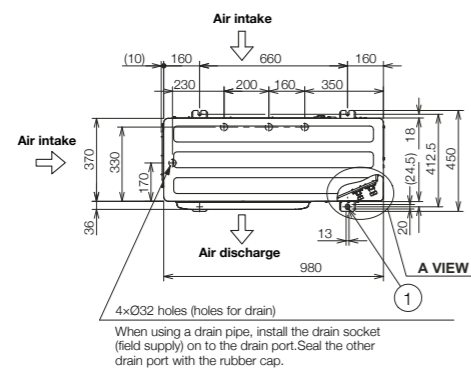
HP	8			10					
Model name	U-8LE1H7			U-10LE1H7					
Power supply	380/400/415V/3-phase/50Hz 380/400V/3-phase/60Hz			380/400/415V/3-phase/50Hz 380/400V/3-phase/60Hz					
Voltage	380V	400V	415V	380V	400V	415V			
Capacity	Cooling	kW	22.4			28.0			
		BTU/h	76,500			95,600			
EER/COP	Cooling	W/W	4.20			3.59			
		Heating	4.52			4.55			
Dimensions	H x W x D	mm 1,500 x 980 x 370			mm 1,500 x 980 x 370				
Net weight	kg	132			133				
Electrical ratings	Cooling	Running current	A	8.70	8.25	7.95	12.7	12.1	11.7
		Power input	kW	5.33	5.33	5.33	7.80	7.80	7.80
	Heating	Running current	A	9.05	8.60	8.25	10.0	9.55	9.20
		Power input	kW	5.53	5.53	5.53	6.15	6.15	6.15
Starting current	A	1			1				
Air flow rate	m ³ / min	150			160				
	L/s	2,500			2,667				
Refrigerant amount at shipment	kg	R410A 6.30			R410A 6.60				
Piping connection	Gas pipe	mm (inches)	Ø19.05 (Ø3/4)			Ø22.22 (Ø7/8)			
	Liquid pipe	mm (inches)	Ø9.52 (Ø3/8)			Ø9.52 (Ø3/8)			
Ambient temperature operating range	Cooling	-10°CDB~+46°CDB			-10°CDB~+46°CDB				
	Heating	-20°CWB~+18°CWB			-20°CWB~+18°CWB				
Sound pressure level (Cooling)	Normal mode	dB(A)	59.0			62.0			
	Silent mode (3)	dB(A)	52.0			55.0			
Sound power level (Cooling)	Normal mode	dB	80.0			83.0			
	Silent mode (3)	dB	73.0			76.0			

Global remarks	Rated conditions:	Cooling	Heating
	Indoor air temperature	27°C DB / 19°C WB	20°C DB
	Outdoor air temperature	35°C DB	7°C DB / 6°C WB

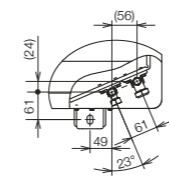
* As a foot print.
** High durable model (with suffix "E") has same specifications.

Dimensions

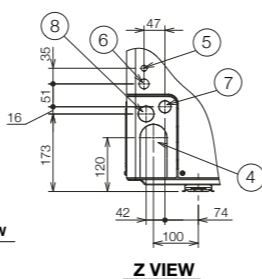
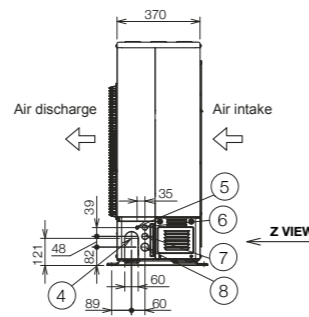
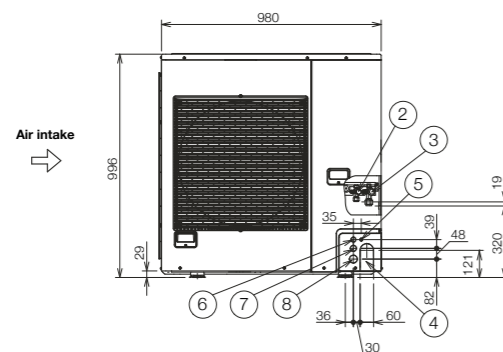
U-4LE2H4 / U-4LE2H7
U-5LE2H4 / U-5LE2H7
U-6LE2H4 / U-6LE2H7



- Mounting hole (4-R6.5), anchor bolt : M10
- Refrigerant tubing (liquid tube), flared connection (Ø9.52)
- Refrigerant tubing (gas tube), flared connection (Ø15.88)
- Refrigerant tubing port
- Electrical wiring port (Ø13)
- Electrical wiring port (Ø22)
- Electrical wiring port (Ø27)
- Electrical wiring port (Ø35)



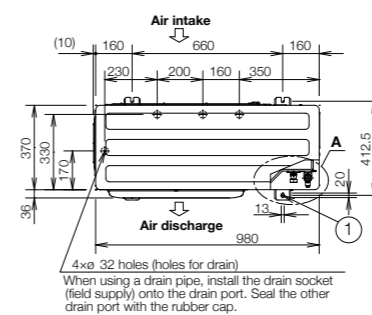
A VIEW



Unit: mm

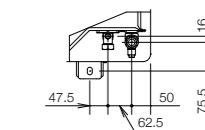
Dimensions

U-8LE1H7 / U-10LE1H7

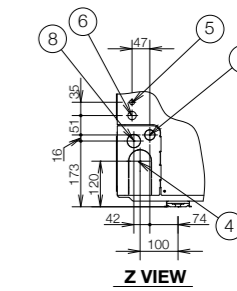
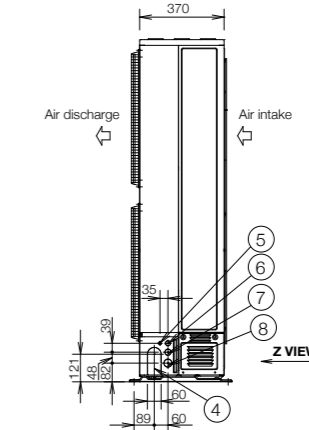
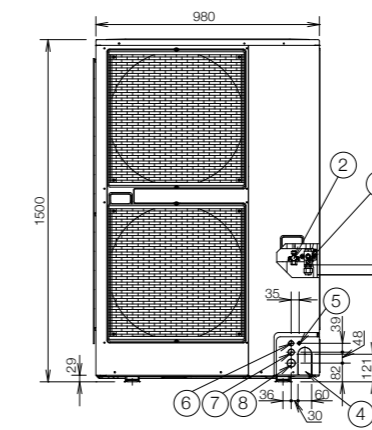


- Mounting hole (4-R6.5), anchor bolt : M10
- Refrigerant tubing (liquid tube), flared connection (Ø9.52) for 8-10 HP finally.
- Refrigerant tubing (gas tube), flared connection (Ø19.05)
- Refrigerant tubing port
- Electrical wiring port (Ø13)
- Electrical wiring port (Ø22)
- Electrical wiring port (Ø27)
- Electrical wiring port (Ø35)

For U-10LE1H7
The tubing of the gas main has a diameter of Ø22.22, but the connection to the service valve of the outdoor unit has a diameter of Ø19.05, so a flare has to be used. Consequently, be sure to use the enclosed joint tube B and joint tube A in making connections (brazing).



A VIEW



Unit: mm