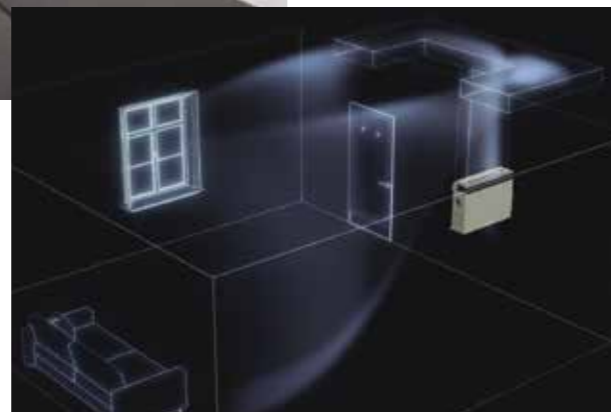


# F3 TYPE Mid Static Adaptive Ducted

Model Name		S-22MF3E5A	S-28MF3E5A	S-36MF3E5A	S-45MF3E5A	S-56MF3E5A	
Power source		220/230/240 V, 1 phase - 50/60 Hz					
Cooling capacity	kW	2.2	2.8	3.6	4.5	5.6	
	BTU/h	7,500	9,600	12,300	15,400	19,100	
Heating capacity	kW	2.5	3.2	4.2	5.0	6.3	
	BTU/h	8,500	10,900	14,300	17,100	21,500	
Power input	Cooling kW	0.06/0.06/0.06	0.06/0.06/0.06	0.06/0.06/0.06	0.06/0.06/0.06	0.089/0.089/0.089	
	Heating kW	0.06/0.06/0.06	0.06/0.06/0.06	0.06/0.06/0.06	0.06/0.06/0.06	0.089/0.089/0.089	
Running amperes	Cooling A	0.46/0.45/0.44	0.46/0.45/0.44	0.46/0.45/0.44	0.46/0.45/0.44	0.65/0.63/0.61	
	Heating A	0.46/0.45/0.44	0.46/0.45/0.44	0.46/0.45/0.44	0.46/0.45/0.44	0.65/0.63/0.61	
Fan motor	Type	Sirocco fan	Sirocco fan	Sirocco fan	Sirocco fan	Sirocco fan	
	Air flow rate (H/M/L)	m³/h	840/720/480	840/720/480	840/720/480	840/720/480	960/840/600
		L/s	233/200/133	233/200/133	233/200/133	233/200/133	267/233/167
	Output	kW	0.107	0.107	0.107	0.107	0.107
	External static pressure	Pa	30 (10-150)	30 (10-150)	30 (10-150)	30 (10-150)	30 (10-150)
Sound power level (H/M/L)	dB	54/51/43	54/51/43	54/51/43	54/51/43	58/55/47	
Sound pressure sound (H/M/L)	dB(A)	31/28/20	31/28/20	31/28/20	31/28/20	35/32/24	
Dimensions	H x W x D	mm	250 x 800 x 730	250 x 800 x 730	250 x 800 x 730	250 x 800 x 730	
	Liquid	mm (inches)	Ø6.35 (Ø1/4)	Ø6.35 (Ø1/4)	Ø6.35 (Ø1/4)	Ø6.35 (Ø1/4)	Ø6.35 (Ø1/4)
Pipe connections	Gas	mm (inches)	Ø12.7 (Ø1/2)	Ø12.7 (Ø1/2)	Ø12.7 (Ø1/2)	Ø12.7 (Ø1/2)	
	Drain piping		VP-20	VP-20	VP-20	VP-20	
Net weight	kg	26	26	26	26	26	

GLOBAL REMARKS	Rated conditions:	Cooling	Heating
	Indoor air temperature	27°C DB / 19°C WB	20°C DB
	Outdoor air temperature	35°C DB / 24°C WB	7°C DB / 6°C WB

Specifications are subject to change without notice.



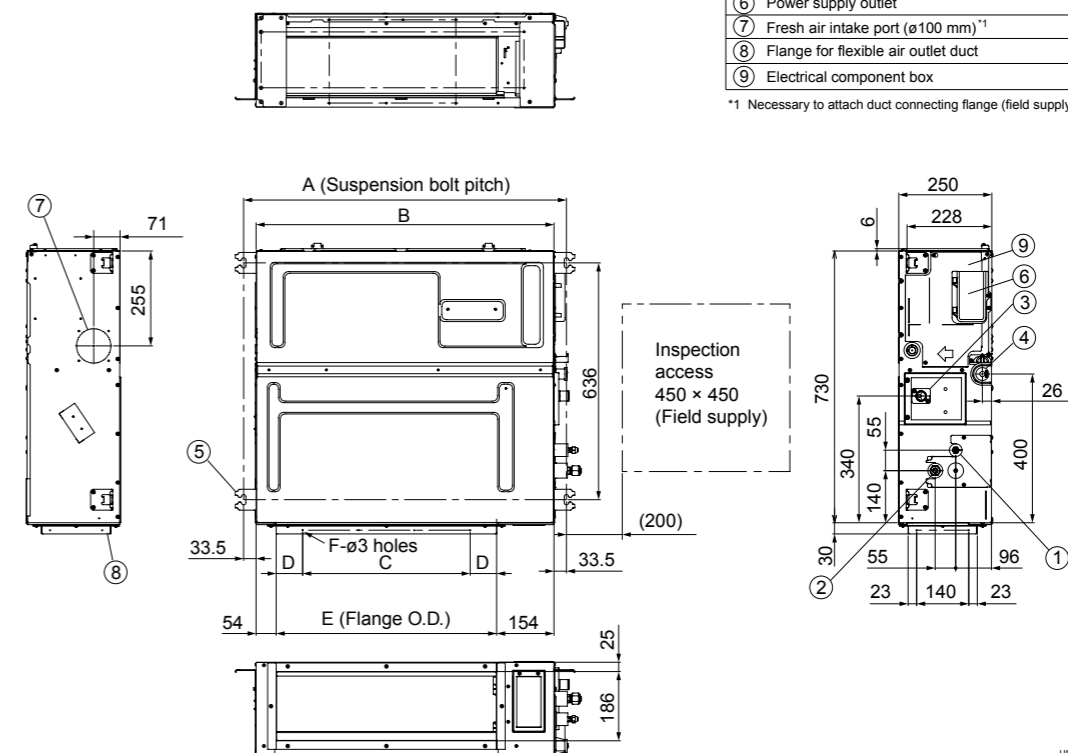
	S-60MF3E5A	S-73MF3E5A	S-90MF3E5A	S-106MF3E5A	S-140MF3E5A	S-160MF3E5A
Power source	220/230/240 V, 1 phase - 50/60 Hz					
Cooling capacity	6.0	7.3	9.0	10.6	14.0	16.0
	20,500	24,900	30,700	36,200	47,800	54,600
Heating capacity	7.1	8.0	10.0	11.4	16.0	18.0
	24,200	27,300	34,100	38,900	54,600	61,400
Power input	0.079/0.079/0.079	0.079/0.079/0.079	0.136/0.136/0.136	0.146/0.146/0.146	0.265/0.265/0.265	0.330/0.330/0.330
	0.079/0.079/0.079	0.079/0.079/0.079	0.136/0.136/0.136	0.146/0.146/0.146	0.265/0.265/0.265	0.330/0.330/0.330
Running amperes	0.53/0.52/0.51	0.53/0.52/0.51	0.92/0.90/0.88	1.03/1.00/0.97	1.80/1.76/1.72	2.22/2.14/2.09
	0.53/0.52/0.51	0.53/0.52/0.51	0.92/0.90/0.88	1.03/1.00/0.97	1.80/1.76/1.72	2.22/2.14/2.09
Fan motor	Sirocco fan	Sirocco fan	Sirocco fan	Sirocco fan	Sirocco fan	Sirocco fan
Air flow rate (H/M/L)	1,260/1,080/900	1,260/1,080/900	1,500/1,380/960	1,920/1,560/1,260	2,220/1,920/1,560	2,400/2,040/1,680
	350/300/250	350/300/250	417/383/267	533/433/350	617/533/433	667/567/467
Output	0.165	0.165	0.165	0.259	0.259	0.259
External static pressure	30 (10-150)	30 (10-150)	40 (10-150)	40 (10-150)	50 (10-150)	50 (10-150)
Sound power level (H/M/L)	54/51/46	54/51/46	58/56/48	59/55/50	64/59/55	66/60/56
Sound pressure sound (H/M/L)	31/28/23	31/28/23	35/33/25	36/32/27	41/36/32	43/37/33
Dimensions	250 x 1,000 x 730	250 x 1,000 x 730	250 x 1,000 x 730	250 x 1,400 x 730	250 x 1,400 x 730	250 x 1,400 x 730
Liquid	Ø9.52 (Ø3/8)	Ø9.52 (Ø3/8)	Ø9.52 (Ø3/8)	Ø9.52 (Ø3/8)	Ø9.52 (Ø3/8)	Ø9.52 (Ø3/8)
Gas	Ø15.88 (Ø5/8)	Ø15.88 (Ø5/8)	Ø15.88 (Ø5/8)	Ø15.88 (Ø5/8)	Ø15.88 (Ø5/8)	Ø15.88 (Ø5/8)
Drain piping	VP-20	VP-20	VP-20	VP-20	VP-20	VP-20
Net weight	31	31	31	40	40	40

## F3 TYPE MID STATIC DUCTED Dimensions

Type	A	B	C	D	E	F
	mm	mm	mm	mm	mm	Q'ty
22/28/36/45/56	867	800	450 (Pitch 150 × 3)	71	592	12
60/73/90	1,067	1,000	750 (Pitch 150 × 5)	21	792	16
106/140/160	1,467	1,400	1,050 (Pitch 150 × 7)	71	1,192	20

- ① Refrigerant tubing joint (liquid tube)  
S-22/28/36/45/56MF3E5A : Φ6.35 (flared)  
S-60/73/90/106/140/160MF3E5A : Φ9.52 (flared)
- ② Refrigerant tubing joint (gas tube)  
S-22/28/36/45/56MF3E5A : Φ12.7 (flared)  
S-60/73/90/106/140/160MF3E5A : Φ15.88 (flared)
- ③ Upper drain port VP20 (ø26 mm)  
200 mm flexible hose supplied
- ④ Bottom drain port VP20 (ø26 mm)
- ⑤ Suspension lug (4 – 12 × 30 mm)
- ⑥ Power supply outlet
- ⑦ Fresh air intake port (ø100 mm)<sup>\*1</sup>
- ⑧ Flange for flexible air outlet duct
- ⑨ Electrical component box

\*1 Necessary to attach duct connecting flange (field supply).



unit: mm