

# U2<sub>TYPE</sub> 4-WAY Cassette

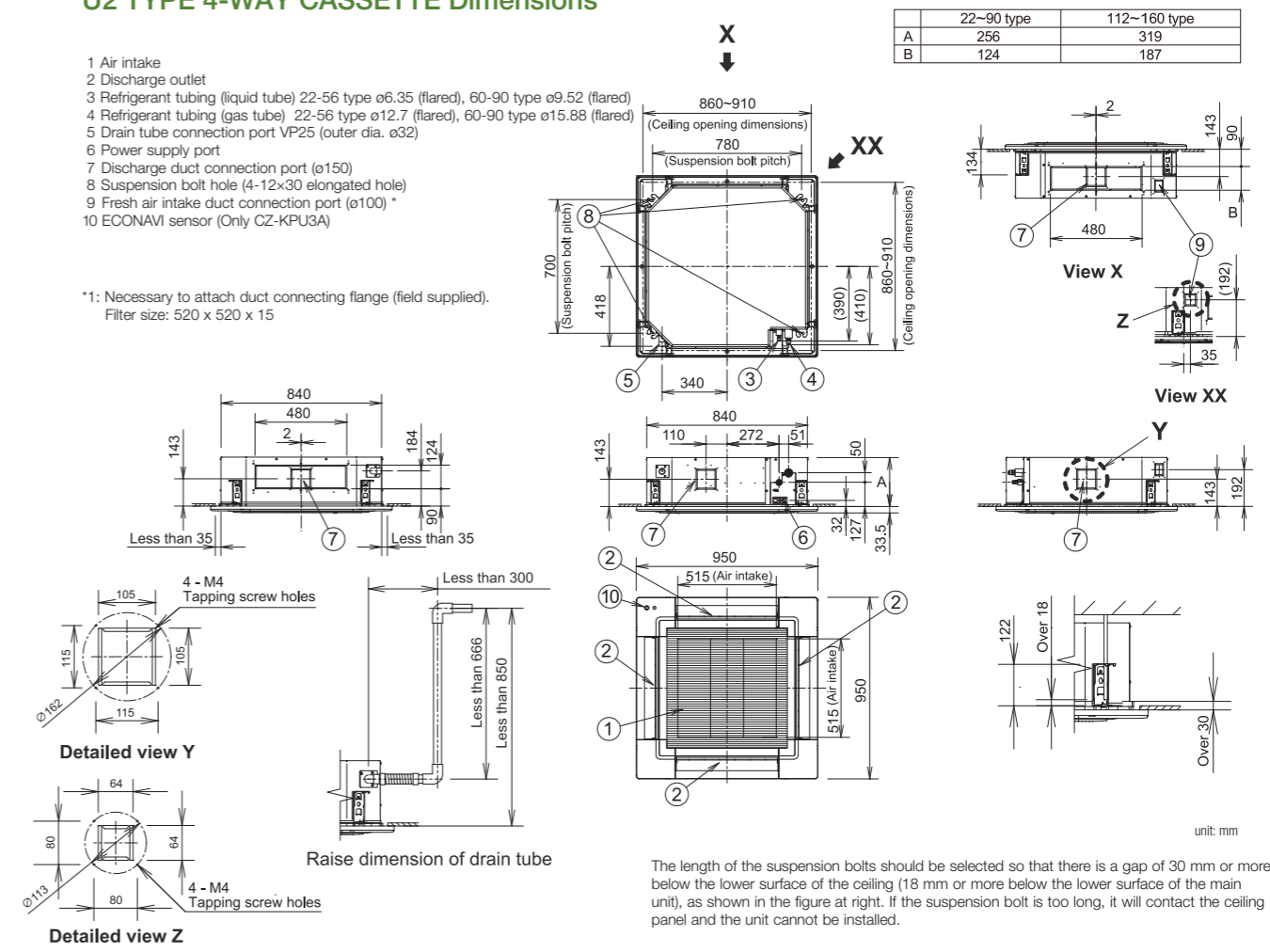
Model Name		S-22MU2E5BN	S-28MU2E5BN	S-36MU2E5BN	S-45MU2E5BN	S-56MU2E5BN	
Power source		220/230/240 V, 1 phase - 50Hz/60Hz					
Cooling capacity	kW	2.2	2.8	3.6	4.5	5.6	
	BTU/h	7,500	9,600	12,300	15,400	19,100	
Heating capacity	kW	2.5	3.2	4.2	5.0	6.3	
	BTU/h	8,500	10,900	14,300	17,100	21,500	
Power input	Cooling kW	0.020/0.020/0.020	0.020/0.020/0.020	0.020/0.020/0.020	0.020/0.020/0.020	0.025/0.025/0.025	
	Heating kW	0.020/0.020/0.020	0.020/0.020/0.020	0.020/0.020/0.020	0.020/0.020/0.020	0.025/0.025/0.025	
Running current	Cooling A	0.21/0.21/0.20	0.21/0.21/0.20	0.21/0.21/0.20	0.21/0.21/0.20	0.24/0.23/0.22	
	Heating A	0.20/0.20/0.19	0.20/0.20/0.19	0.20/0.20/0.19	0.20/0.20/0.19	0.23/0.22/0.21	
Fan	Type	Turbo fan					
	Air flow rate (H/M/L)	m <sup>3</sup> /h	768/726/690	768/726/690	870/780/690	930/780/690	990/810/690
		L/s	213/202/192	213/202/192	242/217/192	258/217/192	275/225/192
	Motor output	kW					
Sound power level (H/M/L)	dB	45/44/43					
Sound pressure level (H/M/L)	dB(A)	30/29/28					
Dimensions* H x W x D	mm	256+(33.5) x 840 (950) x 840 (950)					
Pipe connections	Liquid	mm (inches) Ø6.35 (Ø1/4)					
	Gas	mm (inches) Ø12.7 (Ø1/2)					
	Drain piping	VP-25					
Net weight* (Panel)	kg	19 (+5)					

Global remarks	Rated conditions:	
	Cooling	Heating
	Indoor air temperature	27°C DB / 19°C WB
Outdoor air temperature	35°C DB / 24°C WB	7°C DB / 6°C WB

\* The values in ( ) for external dimensions and Net weight are the values for the optional ceiling panel.  
In the case of nanoe X OFF Specifications are subject to change without notice.

S-60MU2E5BN	S-73MU2E5BN	S-90MU2E5BN	S-112MU2E5BN	S-140MU2E5BN	S-160MU2E5BN
220/230/240 V, 1 phase - 50Hz/60Hz					
6.0	7.3	9.0	11.2	14.0	16.0
20,500	24,900	30,700	38,200	47,800	54,600
7.1	8.0	10.0	14.0	16.0	18.0
24,200	27,300	34,100	47,800	54,600	61,400
0.035/0.035/0.035	0.040/0.040/0.040	0.040/0.040/0.040	0.095/0.095/0.095	0.095/0.095/0.095	0.105/0.105/0.105
0.035/0.035/0.035	0.040/0.040/0.040	0.040/0.040/0.040	0.090/0.090/0.090	0.090/0.090/0.090	0.100/0.100/0.100
0.34/0.33/0.32	0.37/0.36/0.35	0.39/0.38/0.37	0.77/0.74/0.71	0.77/0.74/0.71	0.85/0.82/0.79
0.33/0.32/0.31	0.36/0.35/0.34	0.38/0.37/0.36	0.75/0.72/0.69	0.75/0.72/0.69	0.83/0.80/0.77
Turbo fan	Turbo fan	Turbo fan	Turbo fan	Turbo fan	Turbo fan
1,260/960/780	1,350/960/780	1,380/1,110/840	2,160/1,560/1,200	2,160/1,560/1,200	2,220/1,680/1,440
350/267/217	375/267/217	383/308/233	600/433/333	600/433/333	617/467/400
0.06	0.06	0.06	0.09	0.09	0.09
51/47/44	52/47/44	53/50/47	60/54/50	60/54/50	61/55/53
36/32/29	37/32/29	38/35/32	45/39/35	45/39/35	46/40/38
319+(33.5) x 840 (950) x 840 (950)					
Ø9.52 (Ø3/8)	Ø9.52 (Ø3/8)	Ø9.52 (Ø3/8)	Ø9.52 (Ø3/8)	Ø9.52 (Ø3/8)	Ø9.52 (Ø3/8)
Ø15.88 (Ø5/8)	Ø15.88 (Ø5/8)	Ø15.88 (Ø5/8)	Ø15.88 (Ø5/8)	Ø15.88 (Ø5/8)	Ø15.88 (Ø5/8)
VP-25	VP-25	VP-25	VP-25	VP-25	VP-25
20 (+5)	20 (+5)	20 (+5)	25 (+5)	25 (+5)	25 (+5)

## U2 TYPE 4-WAY CASSETTE Dimensions



## Standard Equipped nanoe™ Technology

- nanoe™ X, charged water particles, contain hydroxyl radical (OH radical) that work to provide quality air.
- The electrodes of nanoe™ X devices are made of titanium and electricity discharge into the water particles of nanoe™. So no need to clean or replace the device (maintenance free without wear).



**Craftsmanship in Japan enables the adoption of titanium**

Electrodes of nanoe™ X devices are produced with the support of craftsmen in Japan that has advanced expertise on processing ultra-small parts of titanium glass frames although titanium is very strong material and difficult to process.



nanoe™ X module

Unique nanoe™ X module casing releases 48 trillion hydroxyl radical (OH radical) per second.



nanoe™ X device