

4-WAY CASSETTE

NEW



Model No.

- S-19PU1H5C-1 S-42PU1H5C-1
- S-25PU1H5C-1 S-50PU1H5C-1
- S-30PU1H5C-1 S-55PU1H5C-1
- S-36PU1H5C-1



TECHNICAL FOCUS

- nanoe™ X equipped as standard
- Compact design
- Low sound levels
- DC fan motor for increased efficiency
- Powerful drain pump gives 850 mm lift
- Lightweight design



Accessories

Panel



CZ-KPU3H

Selectable Remote Controller



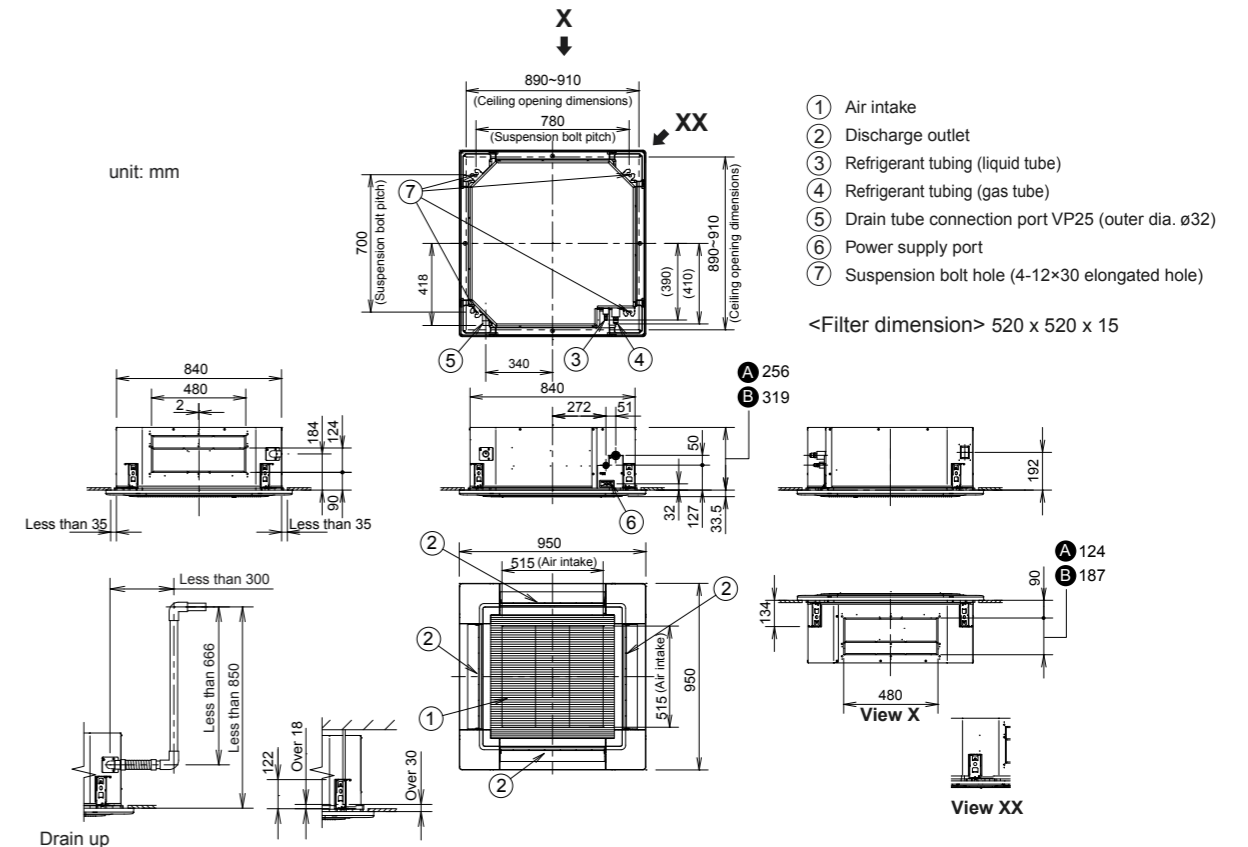
*A wireless remote controller is in the same package with the indoor unit.



CZ-RD513C (Optional)

Dimensions

- A (S-19PU1H5C-1 / S-25PU1H5C-1 / S-30PU1H5C-1)
- B (S-36PU1H5C-1 / S-42PU1H5C-1 / S-50PU1H5C-1 / S-55PU1H5C-1)



* Adjust the suspension bolt length so that the gap from the lower ceiling surface becomes 30 mm or more (18 mm or more from the lower surface of the body) as shown in the figure. When the suspension bolt length is long, it hits the ceiling panel and installation is not possible.

Capacity [Btu/h]		19,500	26,000	31,000	31,000	36,000	42,000	48,500	52,500	
Power Source	V/Phase Hz	230 V, 1Ø Phase - 50 Hz				400 V, 3Ø Phase - 50 Hz				
Indoor		S-19PU1H5C-1	S-25PU1H5C-1	S-30PU1H5C-1	S-30PU1H5C-1	S-36PU1H5C-1	S-42PU1H5C-1	S-50PU1H5C-1	S-55PU1H5C-1	
Outdoor		U-19PN1H5-1	U-25PN1H5-1	U-30PN1H5-1	U-30PN1H8-1	U-36PN1H8-1	U-42PN1H8-1	U-50PN1H8-1	U-55PN1H8-1	
Panel		CZ-KPU3H	CZ-KPU3H	CZ-KPU3H	CZ-KPU3H	CZ-KPU3H	CZ-KPU3H	CZ-KPU3H	CZ-KPU3H	
Cooling Capacity: Rated	kW	5.71	7.62	9.08	9.08	10.55	12.31	14.21	15.39	
	Btu/h	19,500	26,000	31,000	31,000	36,000	42,000	48,500	52,500	
Current	A	7.1	9.4	13.6	4.4	4.7	5.3	7.6	8.2	
Power Input: Rated	kW	1.59	2.13	2.90	2.63	2.83	3.10	4.14	4.70	
	W/W	3.59	3.58	3.13	3.45	3.73	3.97	3.43	3.27	
COP/EER	Btu/hW	12.26	12.21	10.69	11.79	12.72	13.55	11.71	11.17	
Indoor Unit										
Air Volume	m³/min	28.5	28.5	28.5	28.5	36.4	36.4	36.4	36.4	
	cfm	1,006	1,006	1,006	1,006	1,285	1,285	1,285	1,285	
Sound Pressure Level [Hi/Lo]	dB [A]	46 / 35	46 / 35	46 / 35	46 / 35	47 / 41	47 / 41	47 / 41	47 / 41	
Sound Power Level [Hi/Lo]	dB	61 / 50	61 / 50	61 / 50	61 / 50	62 / 56	62 / 56	62 / 56	62 / 56	
Dimension	Indoor [H×W×D]	mm	256 × 840 × 840	256 × 840 × 840	256 × 840 × 840	319 × 840 × 840	319 × 840 × 840	319 × 840 × 840	319 × 840 × 840	
	Panel [H×W×D]	mm	33.5 × 950 × 950	33.5 × 950 × 950	33.5 × 950 × 950	33.5 × 950 × 950	33.5 × 950 × 950	33.5 × 950 × 950	33.5 × 950 × 950	
Net Weight	Indoor	kg	21	21	21	24	24	24	24	
	Panel	kg	5	5	5	5	5	5	5	
Outdoor Unit										
Sound Pressure Level	dB [A]	50	52	54	54	55	58	58	58	
Sound Power Level	dB	66	68	69	69	70	72	72	72	
Dimension	Outdoor [H×W×D]	mm	619 × 824 × 299	619 × 824 × 299	695 × 875 × 320	695 × 875 × 320	996 × 980 × 370	996 × 980 × 370	996 × 980 × 370	
Net Weight		kg	36	42	56	56	75	78	78	
Piping Connection	Gas Pipe	mm (inch)	12.70 (1/2)	12.70 (1/2)	15.88 (5/8)	15.88 (5/8)	15.88 (5/8)	15.88 (5/8)	15.88 (5/8)	
	Liquid Pipe	mm (inch)	6.35 (1/4)	6.35 (1/4)	9.52 (3/8)	9.52 (3/8)	9.52 (3/8)	9.52 (3/8)	9.52 (3/8)	
Pipe Length	Min-Max	m	7.5 - 30	7.5 - 30	7.5 - 45	7.5 - 45	7.5 - 50	7.5 - 50	7.5 - 50	
Elevation Difference		m	20	20	30	30	30	30	30	
Maximum Chargeless Length	Max	m	7.5	7.5	7.5	7.5	7.5	7.5	7.5	
Refrigerant Type/Additional Gas		g/m	R32/15	R32/15	R32/25	R32/25	R32/25	R32/25	R32/25	
Operating Range, Outdoor	Min-Max	°C	16-43	16-43	16-43	16-43	16-43	16-43	16-43	