

CEILING DUCTED

Model No.
S-22PF1H5 S-45PF1H5
S-28PF1H5 S-55PF1H5
S-35PF1H5



TECHNICAL FOCUS

- Total Cooling Coverage
- Flexible Installation
- Easy Installation
- Easy Maintenance & Cleaning



Remote Controller

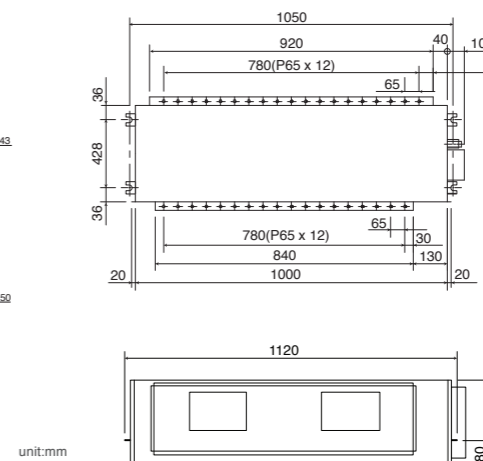
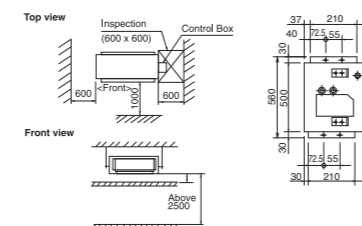


CZ-RD513C

A wired controller is in the same package with the indoor unit.

Dimensions (S-22PF1H5 / S-28PF1H5)

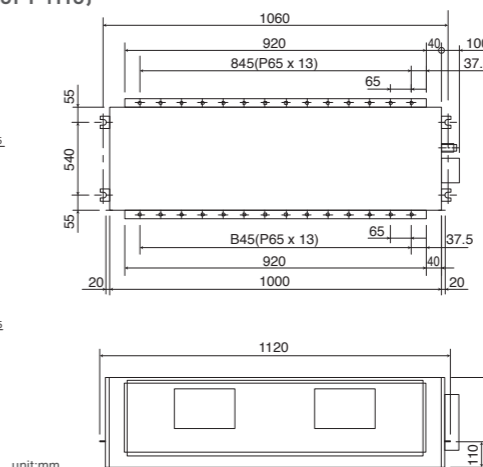
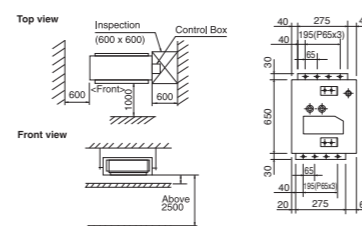
Required space for installation



unit:mm

Dimensions (S-35PF1H5 / S-45PF1H5 / S-55PF1H5)

Required space for installation



unit:mm

Capacity [Btu/h]		22,500	28,000	36,000	42,500	51,000
Power Source	V/Phase Hz	230 V, 1Ø Phase - 50 Hz			400 V, 3Ø phase - 50Hz	
Indoor		S-22PF1H5	S-28PF1H5	S-35PF1H5	S-45PF1H5	S-55PF1H5
Outdoor		U-22PV1H5-1	U-28PV1H5-1	U-35PV1H8-1	U-45PV1H8-1	U-55PV1H8-1
Cooling Capacity: Rated	kW	6.59	8.21	10.55	12.45	14.95
	Btu/h	22,500	28,000	36,000	42,500	51,000
Current	A	9.6	12.7	6.9	7.7	9.3
Power Input: Rated	kW	2.16	2.87	4.06	4.53	5.58
	W/W	3.05	2.86	2.60	2.75	2.68
EER	Btu/hW	10.40	9.75	8.87	9.38	9.14
External Static Pressure	Pa (mm Ag)	69 [7]	69 [7]	98 [10]	98 [10]	98 [10]
Indoor Unit						
Air Volume	m ³ /min	22.0	22.0	45.0	45.0	45.0
	cfm	777	777	1,588	1,588	1,588
Sound Pressure Level (Hi/Lo)	dB (A)	45 / 41	45 / 41	49 / 45	49 / 45	49 / 45
Sound Power Level (Hi/Lo)	dB	60 / 56	60 / 56	64 / 60	64 / 60	64 / 60
Dimension	Indoor (H×W×D)	mm	290 × 1,100 × 500	360 × 1,100 × 500	360 × 1,100 × 650	360 × 1,100 × 650
Net Weight		kg	31	43	43	43
Outdoor Unit						
Sound Pressure Level	dB (A)	52	56	56	56	56
Sound Power Level	dB	68	71	70	70	70
Dimension	Outdoor (H×W×D)	mm	695 × 875 × 320	695 × 875 × 320	996 × 980 × 370	1,170 × 900 × 320
Net weight		kg	55	57	86	94
Piping Connection	Gas Pipe	mm (inch)	15.88 (5/8")	15.88 (5/8")	15.88 (5/8")	15.88 (5/8")
	Liquid Pipe	mm (inch)	9.52 (3/8")	9.52 (3/8")	9.52 (3/8")	9.52 (3/8")
Pipe Length	Min-Max	m	7.5 - 30	7.5 - 45	7.5 - 50	7.5 - 50
Elevation Difference		m	20	25	30	30
Maximum Chargeless Length	Max	m	7.5	7.5	30	30
Additional Gas		g/m	25	30	50	50
Operating Range, Outdoor	Min-Max	°C	16 - 43	16 - 43	16 - 43	16 - 43