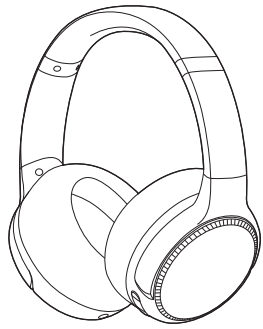


# Panasonic®

## Basic Operating Instructions

### Digital Wireless Stereo Headphones

Model No. **RB-M500B**  
**RB-M300B**



Thank you for purchasing this product.  
Please read these instructions carefully before using this product, and save this manual for future use.

GE



Manufactured by: Panasonic Corporation  
Kadoma, Osaka, Japan  
Authorized Representative in Europe: Panasonic Marketing Europe GmbH  
Panasonic Testing Centre  
Winsbergring 15, 22525 Hamburg, Germany



Panasonic Corporation  
http://www.panasonic.com  
© Panasonic Corporation 2020

TQBM0700  
F0220MH0

More detailed operating instructions are available in "Owner's Manual (PDF format)". To read it, download it from the website.  
[https://panasonic.jp/support/global/cs/accessories/ol/rb\\_m700b/](https://panasonic.jp/support/global/cs/accessories/ol/rb_m700b/)  
• Click the desired language.



#### Accessories

Please check and identify the supplied accessories.  
**To order accessories, contact the dealer from whom you have made your purchase.**  
1 x USB charging cord  
1 x Detachable cord

#### Maintenance

Clean this unit with a dry and soft cloth.  
• Do not use solvents including benzene, thinner, alcohol, kitchen detergent, a chemical wiper, etc. This might cause the exterior case to be deformed or the coating to come off.  
Keeping the battery performance.  
• During the long period of disuse, full charge this unit once every 6 months to keep the battery performance.

#### Expressions used in this document

• The product illustrations may differ from the actual product.  
• Unless otherwise indicated, illustrations in these operating instructions are of RB-M500B.

#### Marks denoting model names

Functionality differences between models are indicated with the model marks below.  
RB-M500B: **RB-M500B** RB-M300B: **RB-M300B**

#### Safety precautions

##### ■ Unit

##### WARNING:

- To reduce the risk of fire, electric shock or product damage,
  - Do not expose this unit to rain, moisture, dripping or splashing.
  - Do not place objects filled with liquids, such as vases, on this unit.
  - Use the recommended accessories.
  - Do not remove covers.
  - Do not repair this unit by yourself. Refer servicing to qualified service personnel.

##### Avoid the use in the following conditions

- High or low extreme temperatures during use, storage or transportation.
- Disposal of a battery into fire or a hot oven, or mechanically crushing or cutting of a battery, that can result in an explosion.
- Extremely high temperature and/or extremely low air pressure that can result in an explosion or the leakage of flammable liquid or gas.
- Avoid using or placing this unit near sources of heat.
- Do not listen with this unit at high volume in places where you need to hear sounds from the surrounding environment for safety, such as at railroad crossings, and construction sites.
- Wide band characteristic voltage equal or larger than 75 mV.
- Keep this unit away from something susceptible to the magnetism. Such devices as a clock may not operate correctly.
- When using this unit in an airplane, heed the instructions given by the airline company. Some airlines may forbid your using the unit. For further details, contact the airline you will be flying with.

##### ■ Allergies

- Discontinue use if you experience discomfort with the ear pads or any other parts that directly contact your skin.
- Continued use may cause rashes or other allergic reactions.

##### ■ Precautions for listening with the Headphones

- Excessive sound pressure from earphones and headphones can cause hearing loss.
- Do not use your headphones at a high volume. Hearing experts advise against continuous extended play.
- If you experience a ringing in your ears, reduce volume or discontinue use.
- Do not use while operating a motorized vehicle. It may create a traffic hazard and is illegal in many areas.
- You should use extreme caution or temporarily discontinue use in potentially hazardous situations.

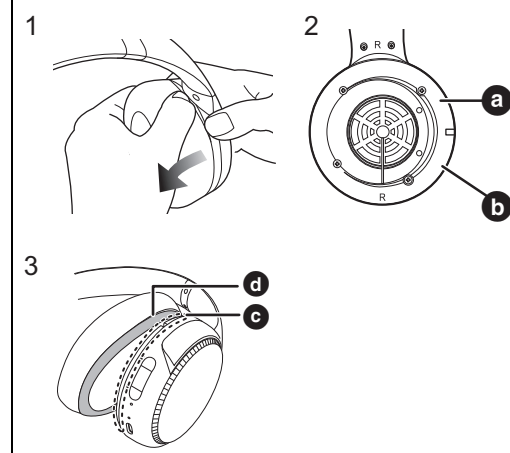
This unit may receive radio interference caused by mobile telephones during use. If such interference occurs, please increase separation between this unit and the mobile telephone.

Use only the supplied USB charging cord when connecting to a computer.

This unit is intended for use in moderate and tropical climates.

- Remove the right ear pad to view certification information.
- Certification information (●) is indicated on the speaker plate portion (●), which becomes visible when the right ear pad (R side) is removed.
- To attach the ear pad, fit the part ● of the ear pad into the part ●.

If you pull the ear pad too much, the ear pad can tear.



#### Copyright notice

This product uses open source software based on the Free Software Foundation's GPL and other conditions. The relevant conditions apply to the software. The license information for the GPL shown on this product and information about open source software are published on our website. The source code licensed under the conditions of the GPL is available publicly. Please note that these types of software are not covered by warranty. At least 3 years from sale of this product, Panasonic Corporation will give to any individual or group who contacts us, for a charge of no more than the cost of physically distributing source code, a complete machine-readable copy of the source code and the list of copyright notices corresponding to the GPL software covered under the conditions of the GPL usage agreement. Refer to the following URL to make enquiries regarding the above mentioned content and for information on how to obtain the relevant source code:  
<https://panasonic.jp/support/global/cs/audio/download/index.html>

#### Troubleshooting

Before requesting service, make the following checks. If you are in doubt about some of the check points, or if the remedies indicated in the chart do not solve the problem, consult your dealer for instructions.

##### No sound.

- Make sure that the unit and the Bluetooth® device are connected correctly. (→ Rear page, [E])
- Check if music is playing on the Bluetooth® device.
- Make sure that the unit is turned on and the volume is not set too low.
- Pair and connect the Bluetooth® device and the unit again. (→ Rear page, [E])
- Check if the Bluetooth® compatible device supports "A2DP" profile. For details on profiles, see "Listening to music" in "Owner's Manual (PDF format)". Also refer to the operating manual for the Bluetooth® compatible device.

##### Cannot adjust the volume.

- The control button does not work when the detachable cord (supplied) is used.

##### Low volume.

- Increase the volume of the unit. (→ Rear page, [E])
- Increase the volume on the Bluetooth® device.

##### Sound from the device is cut off. / Too much noise. / Sound quality is bad.

- Sound may be disrupted if signals are blocked. Do not fully cover this unit with the palm of your hand, etc.
- The device may be out of the 10 m communication range. Move the device closer to this unit.
- Remove any obstacle between this unit and the device.
- Switch off any wireless LAN device when not in use.

##### The device cannot be connected.

- Delete the pairing information for this unit from the Bluetooth® device, then pair them again. (→ Rear page, [E])

##### You cannot hear the person on the other end of the call.

- Make sure that the unit and the Bluetooth® enabled phone are turned on.
- Check if the unit and the Bluetooth® enabled phone are connected. (→ Rear page, [E])
- Check the audio settings of the Bluetooth® enabled phone. Switch the calling device to the unit if it is set to the Bluetooth® enabled phone. (→ Rear page, [E])
- If the volume of the other person's voice is too low, increase the volume of both the unit and the Bluetooth® enabled phone.

##### Cannot make a phone call.

- Check if the Bluetooth® compatible device supports "HSP" or "HFP" profile. For details on profiles, see "Listening to music" and "Making a phone call" in "Owner's manual (PDF format)". Also refer to the operating manual for the Bluetooth® enabled phone.

##### The unit does not respond.

- This unit can be reset when all operations are rejected. To reset the unit, connect the unit to a computer using the USB charging cord. (The pairing device information will not be deleted.)

##### Cannot charge the unit.

- Is the USB port you are currently using working properly? If your computer has other USB ports, unplug the connector from its current port and plug it into one of the other ports.
- If the measures mentioned above are not applicable, unplug the USB charging cord and plug it in again.
- If the charge time and operating time become shortened, the battery may have run down. (Number of charging times of the installed battery: Approximately 300)

##### The power/pairing LED does not light during charging. / Charging takes longer.

- Is the USB charging cord connected firmly to the USB terminal of the computer? (→ Rear page, [E])
- Make sure to charge in a room temperature between 10 °C and 35 °C (50 °F to 95 °F).

##### The power does not turn on.

- Is the unit being charged? The power cannot be turned ON during charging. (→ Rear page, [E])

The audio guidance language has changed.  
The audio guidance language can be switched.  
(Press and hold [Q] and [-] at the same time for at least 5 seconds.)

#### Specifications

##### ■ General

Power supply	DC 5 V, 300 mA (Internal battery: 3.7 V (Li-polymer))
Operating time <sup>*1</sup>	<b>RB-M500B</b> Approx. 30 hours (Bass Reactor off, SBC) <b>RB-M300B</b> Approx. 50 hours (SBC)
Charging time <sup>*2</sup>	Approx. 4 hours
Charging temperature range	10 °C to 35 °C
Operating temperature range	0 °C to 40 °C
Operating humidity range	35 %RH to 80 %RH (no condensation)
Mass	<b>RB-M500B</b> Approx. 316 g (without cord) <b>RB-M300B</b> Approx. 296 g (without cord)

##### ■ Bluetooth® section

Frequency band	2402 MHz to 2480 MHz
Supported profiles	A2DP, AVRCP, HSP, HFP
Supported codec	SBC, AAC

##### ■ Headphone section

Impedance	<b>RB-M500B</b> 27 Ω (Power off, with cord) <b>RB-M300B</b> 34 Ω (Power off, with cord)
-----------	--

##### ■ Speaker section

Power handling capacity	1000 mW (IEC)
-------------------------	---------------

\*1 It may be shorter depending on the operating conditions.

\*2 The time required to charge the battery from empty to full.

• Specifications are subject to change without notice.

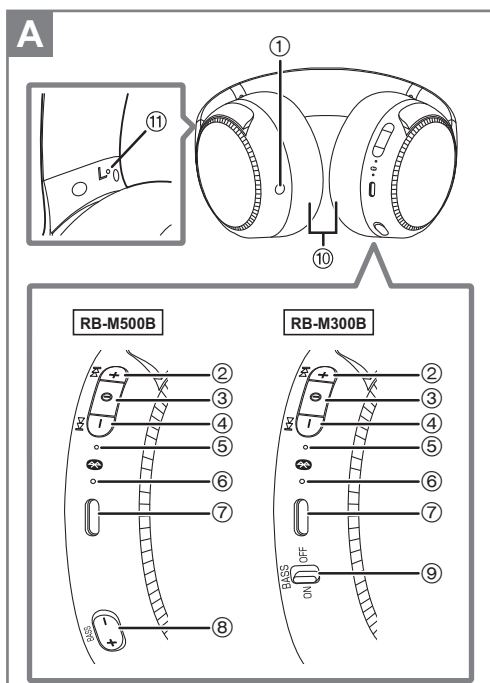
The Bluetooth® word mark and logos are registered trademarks owned by Bluetooth SIG, Inc. and any use of such marks by Panasonic Corporation is under license.  
Other trademarks and trade names are those of their respective owners.

Siri is a trademark of Apple Inc., registered in the U.S. and other countries.

QR Code is a registered trademark of DENSO WAVE INCORPORATED.

Other system names and product names appearing in this document are in general the registered trademarks or trademarks of the respective developer companies.

Note that the ™ mark and ® mark do not appear in this document.



• Unless otherwise indicated, illustrations in these operating instructions are of RB-M500B.  
 • Functionality differences between models are indicated with the model marks below.  
 RB-M500B: **RB-M500B** RB-M300B: **RB-M300B**

#### A Part names

- ① Audio input terminal
- ② [+] button
- ③ [⏻] button
- ④ [-] button
- ⑤ Power/pairing LED
- ⑥ Microphone
- ⑦ Charging terminal (DC IN)
- ⑧ **RB-M500B** [BASS +]/[BASS -] button
- ⑨ **RB-M300B** [BASS] switch
- ⑩ Ear pads
- ⑪ Raised dot indicating the left side

#### B Charging

The rechargeable battery (installed in the unit) is not charged initially. Charge the battery before using the unit.

##### Connect this unit to a computer (🖥️) using the USB charging cord (supplied) (🔌).

- The power/pairing LED (🟡) lights in red when charging is in progress. When charging is completed, the power/pairing LED will go out.
- It takes approx. 4 hours to charge the battery from empty to full.
- Check the direction of the terminals and plug in/out straight holding onto the plug. (It may result in malfunction by the deforming of the terminal if it is plugged in obliquely or in wrong direction.)
- It is not possible to turn the power on or connect to Bluetooth® devices during charging.
- Make sure the computer is turned on and is not on standby or sleep mode.
- Do not use any other USB charging cords except the supplied one.
- When the battery starts running low during use of the unit, the blinking power/pairing LED will turn from blue to red. A beep will sound every 1 minute. When the battery runs out, an English guidance message will be heard and the power will turn off.

#### C Turning the power on/off

Press and hold [⏻] (🔴) of this unit for approx. 3 seconds until the power/pairing LED (blue) (🟡) blinks.

- A beep will sound, and the power/pairing LED (blue) will blink slowly.

##### To turn the power off

Press and hold [⏻] for approximately 3 seconds. An English guidance message will be heard, and the power will be turned off.

- If the unit is not connected to a Bluetooth® device, an English guidance message will be heard and turn off the unit automatically approximately 5 minutes after you have stopped using it. (Auto power off)
- Auto power off does not work when the detachable cord (supplied) is connected.

#### D Connecting a Bluetooth® device

##### Bluetooth® pairing

1 In the power-off state, press and hold [⏻] of this unit until the power/pairing LED blinks.

- When pairing a device for the first time: approx. 3 seconds
- When pairing a second or subsequent devices: approx. 5 seconds

• This unit will start to search for a Bluetooth® device to connect to, and the power/pairing LED will light alternately in blue and red.

2 Turn on the power of the Bluetooth® device, and enable the Bluetooth® function.

3 Select “RB-M500B” or “RB-M300B” (🔴) from the Bluetooth® device’s menu.

- If prompted for a passkey, input the passkey “0000 (four zeros)” of this unit.
- When the power/pairing LED (blue) blinks twice every approx. 2 seconds, pairing (registration) is completed. (Connection established)

• If connection to a device is not established within approximately 5 minutes, the unit will be turned off. Perform pairing again.

##### Connecting a paired Bluetooth® device

- 1 Turn on this unit.
  - 2 Perform steps 2 and 3 of “Bluetooth® pairing”. (➡ above)
- When the power/pairing LED (blue) blinks twice every approx. 2 seconds, pairing (registration) is completed. (Connection established)

#### E Using the headphones

When using the functions below that are indicated with the [🔗] mark, connect the Bluetooth® device and the unit.

##### Listening to music [🔗]

Select and play the music on the Bluetooth® device.

- The unit’s headphones will output the music or the audio of the video being played back.

##### Remote controlling (Available only if your Bluetooth® device supports “AVRCP” Bluetooth® profiles) [🔗]

###### (Operation example)

- Play / Pause: Press [⏻] (🔴).
- Increase the volume: Press [+] (🟡).
- Decrease the volume: Press [-] (🟡).
- Forward to the start of next track: Press and hold [+] for approximately 2 seconds.

- Return to the start of current track: Press and hold [-] for approximately 2 seconds.

- The volume can be adjusted in 31 levels (16 levels during calls). When the maximum or minimum volume is reached, a beep will sound.

#### RB-M500B Bass reactor

While playing back music or videos on a device connected via Bluetooth® Press [BASS +] (🟡) or [BASS -] (🟡) to adjust the Bass reactor strength level.

- This unit vibrates along with the bass of the music or video being played back.
- Bass reactor strength level: Off ↔ Low ↔ Middle ↔ High (The default value is Low.)
- Even when the power is turned off, the setting before turning it off will be stored to memory.
- The playback time depends on the music source and the Bass reactor strength level.
- This may not be effective depending on the music or video being played back.
- If you feel ill while using the Bass reactor, set the Bass reactor to Off.
- Turn on this unit to use the Bass reactor when using this unit with the detachable cord (supplied) connected.

#### RB-M300B Enhancing the bass (Bass enhancer)

You can enjoy music with enhanced bass.

Slide [BASS] switch (🔴) to ON.

##### To turn off the bass enhancer function

- When [BASS] switch is slid to OFF, the bass enhancer function will turn off.
- This may not be effective depending on the music or video being played back.

#### Making a phone call [📞]

1 Press [⏻] (🔴) on the unit and answer the incoming call.

- (HFP only) To reject the incoming call, press [⏻] twice quickly.

2 Start talking.

3 Press [⏻] to end the phone call.

- (HFP only) It may be difficult to hear phone conversations when the unit is used in locations with loud ambient noise or in outdoor or other locations exposed to powerful winds. In that case, change the calling location or switch the calling device to the Bluetooth® enabled phone to continue the call. (Press [⏻] on the unit twice quickly to switch.)

- You can have the Bluetooth® enabled phone make phone calls by using the microphone of the unit and an app of the Bluetooth® enabled phone.

(➡ below, “Activating voice functions”)

#### Activating voice functions [🗣️]

You can use a button on this unit to activate Siri or other voice functions on your smartphone or similar device.

Press [⏻] (🔴) of this unit twice quickly.

#### Using the detachable cord (supplied)

While the power is turned off or the battery has no remaining charge, this unit can be used as normal headphones by connecting the detachable cord (supplied). (🔌)

- If you connect the detachable cord (supplied) during Bluetooth® connection, the Bluetooth® connection will be lost. (**RB-M300B**) The unit turns off.)
- Noise may occur due to dirt on the plug. Clean the plug with a soft dry cloth if this occurs.
- Do not use any other detachable cords except the supplied one.
- **RB-M500B** When the detachable cord (supplied) is connected and the power is turned on, you can use the Bass reactor. However, the volume cannot be adjusted in this case.

#### Restoring to the factory settings

Charge the battery before restoring the unit.

1 While the power is turned off, press and hold [⏻] (🔴) for at least 5 seconds until the power/pairing LED lights alternately in blue and red.

2 While the power/pairing LED is lighting alternately in blue and red, press and hold [+] (🟡) and [-] (🟡) at the same time for at least 5 seconds.

- The default settings will be restored after the power/pairing LED (blue) blinks fast and the unit turns off.

- When pairing a device again, delete the registering information (Device: “RB-M500B” or “RB-M300B”) from the Bluetooth® device’s menu, and register this unit with the Bluetooth® device again. (➡ 2)

#### To remove the battery when disposing of this unit

The following instructions are not intended for repairing purposes but for the disposal of this unit. This unit is not restorable once disassembled.

- When disposing of this unit, take out the battery installed in this unit and recycle it.

- Disassemble after the battery runs out.
- Keep disassembled parts out of reach of children.

#### Regarding the handling of used battery

- Insulate the terminals with adhesive tape or similar material.
- Do not disassemble.

#### Battery

- Do not heat or expose to flame.
- Do not leave the battery in a car exposed to direct sunlight for a long period of time with doors and windows closed.
- Battery mishandling can cause electrolyte leakage which can damage items the leaked fluid comes into contact with. If electrolyte leaks from the battery, consult your dealer. Wash thoroughly with water if electrolyte comes in contact with any part of your body.
- When disposing of the battery, please contact your local authorities or dealer and ask for the correct method of disposal.

- 1 Remove the left ear pad.
- 2 Remove the 4 screws.
- 3 Remove the part (🔴) in step 2.
- 4 Remove the battery, and cut off the wires one by one with scissors.

#### Troubleshooting (➡ Front page)

