

Panasonic

Hair Dryer

吹風機

헤어드라이어

مجفف الشعر

เครื่องเป่าผม

Máy Sấy Tóc

Alat Pengering Rambut

Operating Instructions

使用說明書

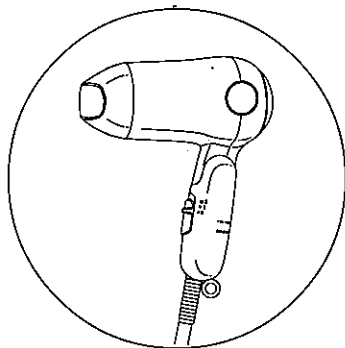
사용 설명서

تعليمات التشغيل

คำแนะนำในการใช้งาน

Hướng dẫn sử dụng

Petunjuk Cara Menggunakan



Model No.

型號

모델 명

نومر الموديل

型

Kiểu máy số

Model Nomor

EH5287

Before operating this unit, please read these instructions completely and save this manual for future use.

在使用此產品前，請仔細閱讀此使用說明書，並保留此書以供日後參考。

이 제품을 사용하기 전에 반드시 사용방법을 완전히 이해하시기 바라며, 언제나 사용할 수 있도록 잘 보관하시기 바랍니다.

قبل تشغيل الوحدة من فضلك اقرأ هذه الإرشادات تماماً واحفظ هذا الدليل للإستخدام في المستقبل.

ก่อนใช้งาน กรุณาอ่านคู่มือการใช้สินค้าอย่างละเอียด และเก็บไว้เพื่อใช้อ้างอิงต่อไป

Vui lòng đọc kỹ hướng dẫn trước khi sử dụng.

Sebelum menggunakan alat ini, bacalah semua petunjuk cara menggunakan ini dengan baik dan simpanlah buku ini baik-baik untuk referensi Anda.

Figure 1

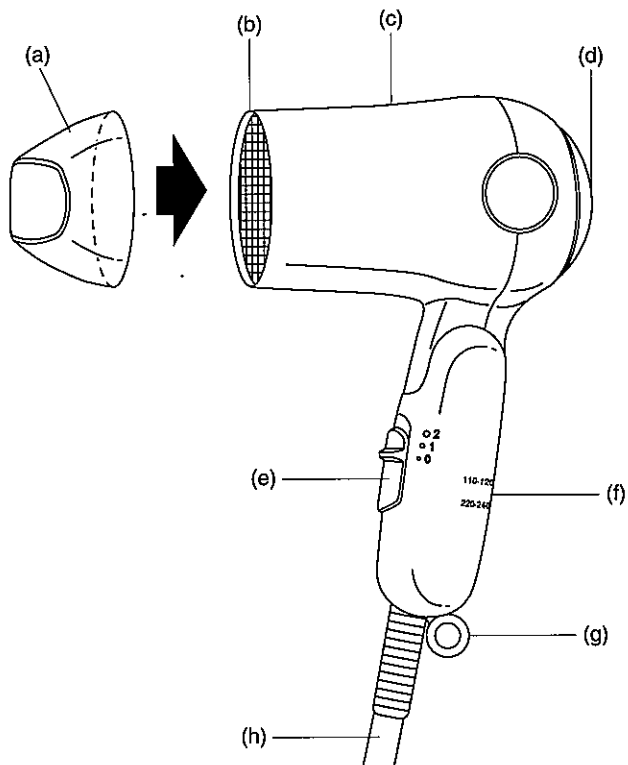
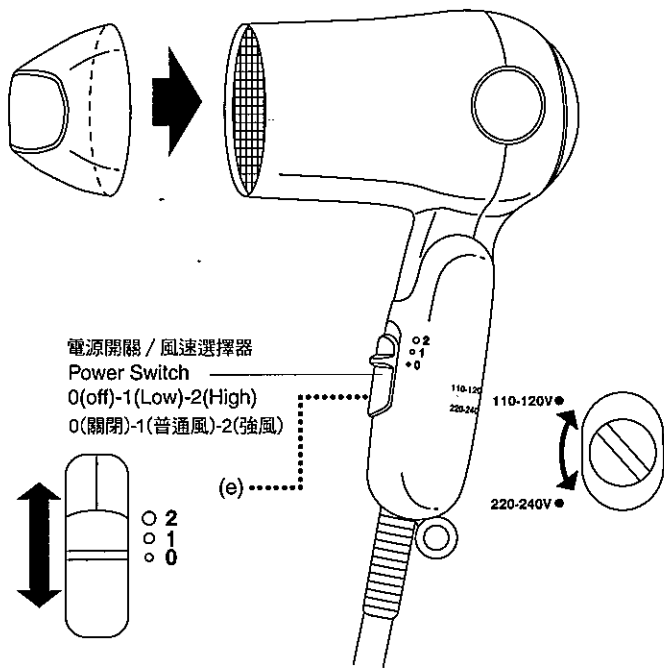


Figure 2



Safety Instructions

Please read the safety instructions before using this product. The safety instructions explained here are to help you use this product safely and correctly, and also to prevent you from injuring yourself or others.

The safety instructions shown here are classified as follows.

WARNING : Indicates contents which may lead to death or serious injuries.

CAUTION : Indicates contents which may lead to serious injuries or damages to properties.

After reading these instructions, store the manual where it is accessible to the user(s).

WARNING

Electrical Conditions



WARNING: This symbol on the hair dryer means "Do not use this hair dryer near water". Do not use this hair dryer near bathtubs, showers, basins or other vessels containing water.

When the hair dryer is used in a bathroom, unplug it after use since the proximity of water presents a hazard even when the hair dryer is switched off.

1. Always switch off the hair dryer ("0" position) after use. Pull out the plug when not in use. Always grasp the plug while unplugging and never unplug by pulling the cord. Failure to do so may lead to fire and/or accident.
2. Turn the dual-voltage selector switch to match the voltage supplied by the area where the unit is used. Failure to do so may result in fire, and/or electrical shock.
3. Use only in areas where the voltage supplied is between AC 110-120V to AC 220-240V.

4. Do not cut, damage, or modify the cord. Do not pull, twist, or bend the cord with unnecessary force. Do not place heavy objects on the cord or allow the cord to get pinched in between objects. Do not wind the cord around the product. They may cause fire and/or electric shock. If the cord is damaged or gets heated up, discontinue use immediately.
5. For additional protection, the installation of a residual current device (RCD) having a rated residual operating current not exceeding 30 mA is advisable in the electrical circuit supplying the bathroom. Ask your installer for advice.

Using The Appliance

1. Discontinue use immediately if the unit produces air intermittently, the cord or plug is damaged or becomes hot. It may cause fire, electric shock, short circuit, and/or burns.
2. Never insert foreign objects such as hair pins into either the air inlet or outlet. It may cause fire, burns, and/or electric shock.
3. Do not use the unit near inflammable materials such as benzene, paint thinner, sprays, etc. It may cause an explosion or fire.
4. Keep the unit away from children. Do not let them use or play with the unit. Allowing children to play with the unit may result in burns, electric shock or other injuries.
5. Do not use the product while your hands are wet. It may cause electric shock, and/or short circuit.
6. Do not submerge the product in water. It may cause electric shock, and/or short circuit.

Repairing the Unit

1. Do not attempt to repair, disassemble, or modify the unit by yourself. You may injure yourself as a result of fire, or abnormal operation.
2. If the cord or plug of the unit is damaged, discontinue use immediately. Bring the damaged unit to the nearest authorized service center or qualified repair technician for repair or replacement. Repair done by unqualified personnel can lead to extreme hazards such as fire as a result of abnormal operation.

CAUTION

1. Do not put your hands on the air outlets. You may get burned.
2. Do not leave the unit switched on. It may cause fire.
3. Do not use the product if the air outlets are damaged. You may get burned.
4. Do not use the unit for purposes other than drying and styling human hair. And avoid using the dryer on an infant. It may result in burns, fire, and/or accidents.
5. Do not use the product if you have damaged it by dropping or knocking it. This may cause electric shock and/or fire.
6. Always switch off the dryer ("0" position) before unplugging the product from the power socket. Pull out the plug when not in use, and grasp the plug while unplugging. Failure to do so may result in fire, electric shock, and/or burns.
7. Do not touch the nozzle as it will become hot during/after use. Failure to do so may result in burns.
8. Exercise extreme caution to prevent hair from being sucked into the air inlets. It may result in burns.
9. Do not use thinner, benzene, or any other solvents to clean the unit as it may damage the unit.

Parts Identification (Figure 1)

- (a) Nozzle
- (b) Air Outlet
- (c) Body
- (d) Air Inlet
- (e) Power Switch/Speed Selector
2 (Strong Airflow)
1 (General Airflow)
0 (Off)
- (f) Voltage Selector Switch
- (g) Hang Ring
- (h) Cord

Specifications

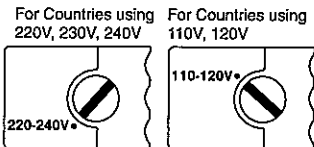
Model No. : EH5287

Voltage	110V/220V	120V/240V
Wattage	800W	1000W
Dimensions	72(W) X 149(D) X 173(H) mm (With Nozzle)	

How to use the product

Voltage selection

1. Confirm your local mains voltage.
2. Ensure that the switch is at "0" position (Off) before setting the voltage on the dryer. You can turn the voltage selector switch using either a coin or a screwdriver.



- Do not set the voltage selector switch at 120V where the local mains supplied voltage is 220-240V. It may cause fire, burns, or malfunction and the wind-stream will stop. If this happens, switch off the dryer ("0" position) and reset the voltage selector switch to 240V. Wait for 4-5 minutes before reusing the unit.
- Do not set the voltage selector switch at 240V where the local mains supplied voltage is 110-120V. Although this does not constitute any safety problem, it generates insufficient airflow for drying and setting. If this happens, switch off the dryer ("0" position) and reset the voltage selector switch to 120V. Wait for 4-5 minutes before reusing the unit.
- This product cannot be used with a power socket for shaver (power sockets with voltage set to low wattage), such as hotels. Use other power points.

- This appliance is not intended for use by persons (including children) with reduced physical, sensory or mental capabilities, or lack of experience and knowledge, unless they have been given supervision or instruction concerning use of the appliance by a person responsible for their safety. Children should be supervised to ensure that they do not play with the appliance.

Panasonic Corporation
<http://panasonic.net>