

Panasonic

PM-PHVULFR-W

Thermal Bullet IP Camera

Panasonic Cameras are developed to deliver high-performance security solutions, safeguarding homes, shops, and offices with advanced technology and reliable surveillance. Thermal network camera features intelligent analytics capabilities such as motion detection, line crossing, region intrusion, region entrance and exit detection, fire detection and temperature measurement. Designed for short-range monitoring, it is well-suited for environments like waste management sites, laundries, warehouses and similar facilities. The camera supports a temperature detection range of -20° C to 150° C.



NDA A
COMPLIANT

H.265+ H.264
H.265 JPEG



SECURE
SSL ENCRYPTION

IP66



Key Features

- Thermal bullet network camera
- 120dB Wide Dynamic Range
- Color Night Vision: Color: 0.03 lux@F2.0, AGC ON
- IR range: 50~70m
- IP66 protection from dust and water
- Advanced encryption and access control
- NDA A

Specifications

CAMERA	
Type	Thermal Bullet Network Camera
Image Sensor	1/2.7" CMOS
Max Resolution	Max up to 2592×1944
Electronic Shutter	1/3s~1/100000s
Min. Illumination	Color: 0.03 lux@F2.0, AGC ON
IR Distance / Light Range	50~70m
LENS	
Focal length	-
Focus	-
Iris Type	Fixed Iris
Optical zoom	-
Lens Mount	-
Angular Field of View	25mm@F1.0 FoV: 17.5°×14° 12mm@F2.0 FoV: 26.6°×19.3°
Day & Night	-
IMAGE	
Video Compression	H.265 H.264 MJPEG
Supported Resolution	Thermal: 640×512 (the resolution of output image is 720P/D1/640×512/CIF/480×240) Optical: 5MP (2592×1944) 4MP (2592×1520) 2K (2560×1440) 3MP (2304×1296) 1080P (1920×1080) 720P (1280×720) D1 480×240 CIF
Number of Supported Stream	-
Mainstream	Optical: 60Hz:5MP/4MP/2K/3MP/1080P/720P(1~30fps) 50Hz:5MP/4MP/2K/3MP/1080P/720P(1~25fps) Thermal : 720P/D1/CIF/640×512/480×240(1~25fps)
Sub Stream	Optical: 60Hz: 720P/D1/CIF(1~30fps) 50Hz: 720P/D1/CIF(1~25fps)
Third Stream	Optical: 60Hz: D1/CIF/480×240(1~30fps) 50Hz: D1/CIF/480×240(1~25fps)
Bit Rate	128Kbps~8Mbps
Bit Rate Type	-
Image Settings	ROI Saturation Brightness Hue Contrast Wide Dynamic Sharpness Image Mirror Defog Image Flip NR etc.adjustable through client software or web browser
Audio Compression	G711A/U
Region Of Interest	Each ROI to be configured separately
OPERATIONAL	
Wide Dynamic Range(WDR)	120dB
Back Light Compensation (BLC)	Yes
High Light Compensation (HLC)	Yes
Defog	-
Digital Noise Reduction (DNR)	Yes
S/N ratio	Thermal Module:≤35mk Visible Light Module:40dB
Angle Adjustment	Thermal Module:17.5°×14° Visible Light Module :26.6°×19.3°
THERMAL CAMERA DETAILS	
Temperature Overlay	Temperature can be overlaid on video stream
Temperature Range	-20°C~150°C (-4°F~302°F)
Temperature Accuracy	±8°C or ±8%

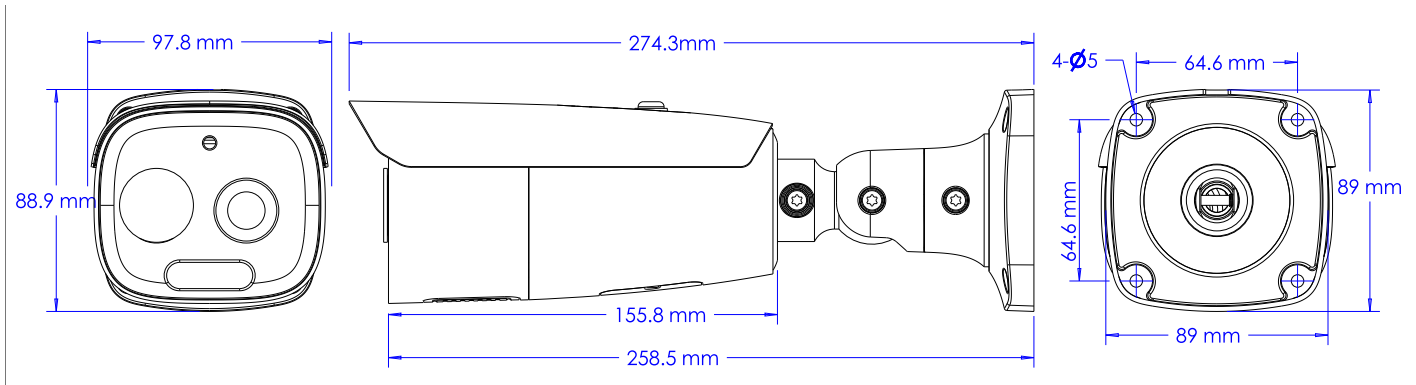
Specifications

Temperature alarm	Over temperature alarm Low temperature alarm
Temperature Measurement	10 rules in total (Point: up to 10; Line: 2, recommended; Area: 2, recommended)
Fire Detection	Dynamic fire detection up to 10 fire points detectable
Sound & Light Warning	White light flashing alarm Sound alarm supported
Color Palettes	Black hot White hot Iron oxide red Rainbow etc.
DRI Distance Human (0.75m)	D: 1042m (3418ft) R: 260m (853ft) I:130m (426ft)
DRI Distance Vehicle (2.3m)	D: 3194m (10479ft) R: 799m (2621ft) I:399m (1309ft)
Detector Type	12μm 640×512 uncooled focal plane detector
Response Waveband	8μm-14μm
NETD	≤ 35mK(@25°C, F#=1.0)
OTHER ANALYTICS	
Motion Detection	-
Smart Alarm	Motion detection SD card full, SD card error IP address conflict Cable connection Video exception Audio exception
Smart Event	Optical: Region Intrusion Entrance/Exiting Detection Line Crossing Detection(Human/Motor Vehicle/Non-Motor Vehicle Classification) Target Counting By Line/Area (Human/Motor Vehicle/Non-Motor Vehicle Classification) Face Detection Illegal Parking Detection Loitering Detection Abandoned/Missing Object Detection Thermal: Fire Detection Temperature Exception Alarm Region Intrusion Entrance/Exiting Detection Line Crossing Detection (Human/Motor Vehicle Classification) AI Function Can Be Enabled Simultaneously On Thermal And Optical Channels
FUNCTIONS	
Remote Monitoring	Web browser NVR VMS Mobile APP
Web Browser	IE
Online Connection	Support simultaneous monitoring for up to 10 users Support multi-stream real time transmission
Network Protocol	UDP, IPv4, IPv6, DHCP, NTP, RTSP, RTP, RTCP, PPPoE, DDNS SMTP, FTP, SNMP,HTTP, 802.1x, UPnP, HTTPS, HTTP POST QoS
Interface Protocol	ONVIF Profile S/G/M/T
Other Functions	Watermark IP address filtering Video mask Heartbeat Password protection Image distortion correction
Security	Video encryption Firmware encryption HTTPS encryption Configuration encryption Illegal login lock IP address filtering 802.1x authentication Basic and digest authentication for HTTP/RTSP
GENERAL	
Power Supply	DC12V PoE
PoE	Yes, IEEE802.3af
Power Consumption	< 9W
Weather Protection	IP66 protection from dust and water
Operating Environment	-30°C~60°C (-22°F~140°F) Humidity: less than 95% (non-condensing)
Storage Environment	-

Specifications

GENERAL	
Dimensions (mm)	274.3×97.8×89
Weight (net)	Approx.1.18KG
Installation	Ceiling mounting Wall mounting
Certificate	EMC: EN 55032:2015+A11:2020 EN 55035:2017+A11:2020 Safety: EN IEC 62368-1:2020+A11:2020 RoHS: 2011/65/EU

Appearance



Optional Accesories

Mount Bracket



PM-YH0302-W
Junction box alu-
minium, Base part



PM-YH0302-W+
PM-YZJ0501-W
Pole Mount Bracket



PM-YH0302-W+
PM-YZJ0601-W
Corner Mount
Bracket



PM-YH0302-W+
PM-YZJ0811-W
Ceiling Mount
Bracket

Disclaimer:

Panasonic accepts no responsibility or liability for the performance of the network, nor for any third-party products used in conjunction with this system. Product dimensions and masses are approximate. Specifications are subject to change without notice.