

Panasonic

PM-PP8ULVR-W

8MP PTZ IP Camera Laser IR 37x Optical zoom

The Panasonic 8MP PTZ Network Camera series is equipped with enhanced laser illumination, capable of reaching distances up to 800 meters. It features a high - quality image sensor, improved lens performance, and a powerful SoC platform, ensuring exceptional image clarity even in very low-light conditions. Designed to meet the latest security standards and data protection regulations, the camera supports large on-board data storage and advanced intelligent video content analysis. Built for harsh environments, it offers IP67, IK10 and 6kV lightning protection.



Key Features

- 8MP PTZ network camera Laser IR
- 37x Optical Zoom
- 120dB Wide Dynamic Range
- Color Night Vision: Color: 0.001 Lux@ (F1.2, AGC ON)
- IR range: 800m (2,625ft)
- IP67 protection from dust and water
- IK10 protection for vandal resistance
- 6000V Lightning Protection
- Surge Protection and Voltage Transient Protection
- Advanced encryption and access control
- NDAA

Specifications

CAMERA	
Type	8MP PTZ Network Camera Laser IR
Image sensor	1/1.8" progressive CMOS (SONY IMX678)
Max Resolution	Up to 3840x2160
Shutter Speed	60Hz: 1/30s-1/30,000s 50Hz: 1/25s-1/25,000s
Mini. Illumination	Color: 0.001 Lux@F1.2,AGC ON) B/W: 0.0002 Lux@F1.2, AGC ON) 0Lux with IR ON
IR Distance / Light Range	800m (2,625ft)
LENS	
Focal length	6 ~ 222mm@F1.2~F4.6(wide-tele)
Iris Type	P-IRIS
Iris control	Auto Manual
Optical Zoom	37x optical zoom±5%
Angular Field of View	Horizontal:59° to 1.98° Vertical: 34.14° to 1.12° Diagonal: 67.08° to 2.27° (wide-tele) ±5%
Day&Night	ICR
PTZ	
Pan Range	360°endless
Pan speed	Configurable, from 0.1~180°/s Preset speed: 240°/s
Tilt Range	Mechanical: from -25° to 155° Auto flip at 90°
Tilt Speed	Configurable, from 0.1°~150°/s Preset speed: 180°/s
Zoom Speed	Approx. 5.2s (optical zoom, wide-tele) ±5%
Proportional Zoom	Yes
Preset	360
Cruise	4 traces, record time over 3 minutes for each trace
Trace	4 traces, record time over 3 minutes for each trace
Power off memory	Support
Action mode	Preset Cruise Trace Auto Scan Random Scan
3D Positioning	Support
PTZ Position Display	Support
Schedule Task	Preset Cruise Trace Random Scan Boundary Scanning Dome reboot
Preset Freezing	N/A
SUPPLEMENT LIGHT / IR	
Light distance	800m (2,625ft)
Illuminator type	Zoomed IR Laser illuminator, 850nm IEC Class 4 eye safety diagonal 70°~2.1° continuous variable
Smart IR	Yes
IR Cut Type	-
IMAGE	
Video compression	Mainstream: Smart H.265+/H.265/H.264+/H.264 Sub stream: Smart H.265+/H.265/H.264/MJPEG Third stream: Smart H.265+/H.265/H.264/MJPEG
Supported Resolution	3840x2160 4MP (2560x1440) 1080P (1920x1080) 1280x960 720P (1280x720) 704x576 VGA(640x480) CIF(352x288)
Number of Supported Stream	3
Mainstream	60Hz/ 30fps:3840x2160,2560x1440,1920x1080,1280x960,1280x720 50Hz/ 25fps: 3840x2160,2560x1440,1920x1080,1280x960,1280x720
Sub stream	60Hz/30fps:704x480, 640x480, 352x240 50Hz/25fps:704x576, 640x480, 352x288

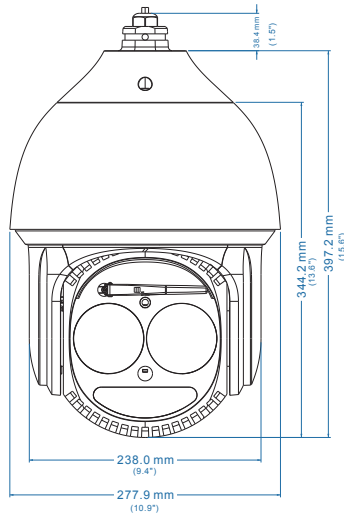
Specifications

Third Stream	60Hz/30fps: 1920×1080, 1280×960, 1280×720, 704×480, 640×480, 352×240 50Hz/25fps: 1920×1080, 280×960, 1280×720, 704×576, 640×480, 352×288
H.264 Standard	H.264 AVC codec BP/MP/HP Level 5.1
H.265 Standard	H.265 HEVC codec MP level 5.0
Bit Rate	32 Kbps to 16Mbps
Bit Rate Type	VBR/CBR
Image setting	Saturation Brightness Contrast Sharpness AGC AWB etc. adjusted by client
Audio compression	G.711 A/U
Audio Bit Rate	64Kbps
OPERATIONAL	
WDR	120dB
White Balance	Auto Manual Indoor Outdoor
Gain control	Auto Manual
SNR	≥52dB
Noise Reduction	2D 3D DNR Auto Manual
AE Enhancement	BLC HLC HDR
Digital Zoom	16X
Image Stabilizer	DIS
Optical Defog	Built-in optical defog filter
Privacy Mask	4 areas per scene
Picture overlay	Logo picture could be overlaid on video 16x16 24x24 32x32 48x48 64x64 96x96 128x128pixels
OSD overlay	Max 15 characters line 8 lines White or red font color Text such as week, date, time
INTERFACE	
Network	1 RJ45 10M/100M Adaptive Ethernet
Alarm Interface	7CH alarm input (Dry contact) 2CH alarm output
Audio Interface	1CH audio input 2 to 2.4v[p-p] 1KΩ ±10% 1CH audio output (line out) impedance: 600Ω
Storage	Built-in micro SD card slot, up to 256GB
Built-in Speaker	-
RS485	Half-duplex Pelco-P/D
Electric Fan & Heater	Built-in electric fan for heat sink and glass Frost/Fog removal Built-in electric heater for cold start.
Water removal	Electric wipe for water-drops, dust, mud, ice, frost Time-schedule/manual.
Demist	Active electric heating and air loop
DORI DISTANCE	
Lens	6mm 222mm
Detect	138.2m(453.4ft) 4,293m(14,084ft)
Observe	54.8m(217.5ft) 1,706m (5,589ft)

Specifications

Recognize	27.6m[90.6ft] 858.6m[2,817ft]
Identify	13.8m[31.3ft] 429.3m[1,408ft]
INTELLIGENT ANALYTICS	
Face capture	Detecting multiple faces in the same scene Support detecting Capturing Grading and output the best
Face comparison	[Default off] Yes
Road traffic	Support vehicle detection and tracking(ver5.1.1)
OTHER ANALYTICS	
Basic event	Motion detection Video tampering alarm Alarm input Alarm output Exception (Network disconnected, IP address conflict, SD full, SD error)
Smart event	Line crossing detection Region entrance detection Object removal detection Intrusion detection Region exiting detection Audio exception detection
Smart tracking	Manual/Auto-tracking of human Non-motor vehicle/motorized vehicle(ver5.1.1)
Alarm Linkage	Alarm actions Preset Cruise Trace Memory Card Video Record Trigger Recording Notify Surveillance Center Upload to FTP/Memory Card Send Email etc.
FUNCTIONS	
Remote Monitoring	Web browser NVR Panasonic VMS 2.X Mobile APP
Web Browser	IE8-11 with plug-in Edge Chrome Firefox with plugin free
Online Connection	Up to 16 users 3 levels: Administrator Advanced User Normal User
Network Protocol	HTTP, HTTPS, IPv4/IPv6, 802.1x, QoS, FTP, SMTP, UPnP, SNMP DNS, DDNS, NTP, RTSP, RTCP, RTP, TCP/IP, UDP DHCP, PPPoE, P2P, RTMP
Interface Protocol	ONVIF Profile S/G/T/Q
API	ONVIF G/S/T/Q Support SDK and third-party management platform
Security	User authentication (ID and PW) Host authentication (MAC address) HTTPS encryption IEEE802.1x port-based network access control IP address filtering NDAAs
GENERAL	
Power Supply	DC36V3000mA CE/FC/UL, 0-40 90W PoE++ Midspan -10,+50
PoE	90W PoE++ Midspan
Power Consumption	Avg:36W, max 63.6Watt (PTZ working+IR ON+Heater on)
Weather and Vandal Protection	IP67 protection from dust and water IK10 protection for vandal resistance 6000V Lightning Protection Surge Protection and Voltage Transient Protection
Operating Environment	-40°C~70°C[-48°F~158°F] IR off -40°C~50°C, IR on Cold start>-30°C[0.5~1.5 hour waiting] 90%RH
Storage Environment	-20°C~70°C; ≤ 80% RH
Dimensions (mm)	Ø278x435.5
Weight (net)	Approx. 8.8 Kg
Certificate	EMC: EN 55032:2015+A11:2020 EN 55035:2017+A11:2020 Safety: EN IEC 62368-1:2020+A11:2020 RoHS: 2011/65/EU

Appearance



Optional Accesories

Mount Bracket



PM-YZJ0308-W
Wall mount bracket,
PTZ



PM-YZJ0309-W
Pole Mount, PTZ



PM-YZJ0310-W
Corner mount, PTZ



PM-YZJ0807-W
Ceiling Mount
Bracket



PM-YZJ0312-W
Pole Mount Bracket
with Junction box



PM-YZJ0313-W
Corner Mount
Bracket with
Junction box



PM-YZJ0311-W
Wall Mount Bracket
with Junction box

Disclaimer:

Panasonic accepts no responsibility or liability for the performance of the network, nor for any third-party products used in conjunction with this system. Product dimensions and masses are approximate. Specifications are subject to change without notice.