

Panasonic

PM-PX6NKBN-W

6MP Box IP Camera

Panasonic Cameras are developed to deliver high-performance security solutions, safeguarding homes, shops, and offices with advanced technology and reliable surveillance. Integrated with intelligent analytics, the cameras can automatically detect and respond to specific security events such as line crossing, abandoned or missing objects, and more. These proactive features provide real-time alerts enhancing security and offering users greater peace of mind. The built-in Region of Interest (ROI) functionality allows users to prioritize Critical zones within the camera's field of view.



Key Features

- 6MP Box network camera
- 120dB Wide Dynamic Range
- Color Night Vision: Color: 0.008 lux@F1.6, AGC ON
- Advanced encryption and access control
- NDAA

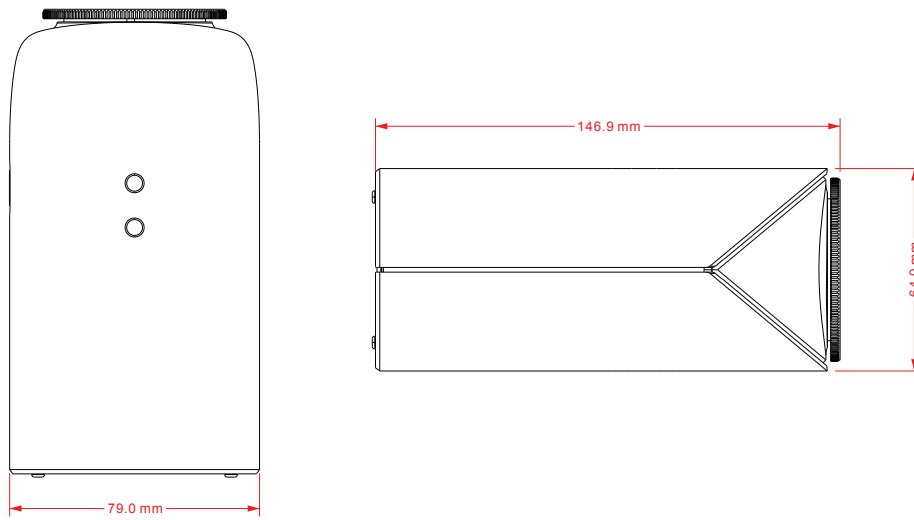
Specifications

CAMERA	
Type	6MP Box Network Camera
Image Sensor	1/2.5" CMOS
Max Resolution	6MP (3296x1856)
Electronic Shutter	1/4 ~1/100000s
Min. Illumination	Color: 0.008 lux@F1.6, AGC ON B&W: 0.002 lux@F1.6, AGC ON No IR
IR Distance / Light Range	No
LENS	
Focal length	
Focus	-
Iris Type	DC AUTO
Optical zoom	
Lens Mount	CS
Angular Field of View	-
Day & Night	ICR
IMAGE	
Video Compression	Mainstream: H.265+/H.265/H.264+/H.264 Sub/third stream: H.265+/H.265/H.264+/H.264/MJPEG
Supported Resolution	6MP (3296x1856) 6MP (3200x1800) 5MP (2880x11624) 4MP (2688x1520) 1080P (1920x1080) 720P (1280x720) D1(704x480) 640x480 480x240 CIF(352x288)
Number of Supported Stream	3
Mainstream	60Hz: 6MP/5MP/4MP/1080P (1~30fps) 50Hz: 6MP/5MP/4MP/1080P (1~25fps)
Sub Stream	60Hz: 720P/D1/640x480/480x240/CIF (1~30fps) 50Hz: 720P/D1/640x480/480x240/CIF (1~25fps)
Third Stream	60Hz: D1/480x240/CIF (1~30fps) 50Hz: D1/480x240/CIF (1~25fps)
Bit Rate	64Kbps~10Mbps
Bit Rate Type	VBR/CBR
Image Settings	ROI Saturation Brightness Hue Contrast Wide Dynamic Sharpness Image Mirror Defog Image Flip NR etc.adjustable through client software or web browser
Audio Compression	G711A/U
Region Of Interest	Each ROI to be configured separately
OPERATIONAL	
Wide Dynamic Range(WDR)	120dB
Back Light Compensation (BLC)	Yes
High Light Compensation (HLC)	Yes
Defog	
Digital Noise Reduction (DNR)	Yes
S/N ratio	≥ 50dB
Angle Adjustment	-
INTERFACES	
Network	RJ 45 10M/100M self-adaptive Ethernet port
Video	CVBS output (BNC x1)
Audio	1CH audio input 1CH audio output 1CH built-in microphone
Storage	Built-in micro SD card slot, up to 256GB
Alarm	2CH alarm input 2CH alarm output
RS485	Yes

Specifications

DORI DISTANCE	
Lens	-
Detect	-
Observe	-
Recognize	-
Identify	-
INTELLIGENT ANALYTICS	
Statistics	Yes, with NVR or SD Card
Audio Exception Detection	
Face Detection	Yes
Face Recognition and Matching	Yes, with NVR
Video Metadata(Human/Vehicle Attributes / Two Wheelers)	Yes, with NVR
OTHER ANALYTICS	
Motion Detection	-
Smart Alarm	Motion detection SMD SD card full, SD card error IP address conflict Cable disconnection Video exception (scene change, video blur and abnormal color detection)
Smart Event	Line crossing region intrusion entrance/exiting detection (human/motor vehicle/non-motor vehicle classification) abandoned/missing object detection loitering detection illegal parking detection target counting by line target counting by area heat map
FUNCTIONS	
Remote Monitoring	Web browser NVR Panasonic VMS 2.X Mobile APP
Web Browser	Chrome 89.0+ Edge 89.0+ Firefox 87.0+ Safari 14.0+
Online Connection	Support simultaneous monitoring for up to 10 users Support multi-stream real time transmission
Network Protocol	UDP, IPv4, IPv6, DHCP, NTP, RTSP, RTP, RTCP, PPPoE, DDNS SMTP, FTP, 802.1x, SNMP, UPnP, RTMP, HTTP, HTTPS HTTP POST, P2P, QoS
Interface Protocol	ONVIF Profile S/G/M/T
Other Functions	Watermark IP Address Filtering Video Mask Heartbeat Smart Supplement Light Corridor Pattern ANR Cloud Upgrade
Security	Video encryption Firmware encryption Configuration encryption Illegal login lock IP address filtering 802.1x authentication Basic and digest authentication for HTTP/RTSP NDAA
GENERAL	
Power Supply	AC24V / DC12V / PoE
PoE	Yes, IEEE802.3af
Power Consumption	<6.5W
Weather Protection	No
Operating Environment	-30°C~60°C [-22°F~140°F] Humidity: less than 95% (non-condensing)
Storage Environment	-30°C~65°C [-22°F~149°F] Humidity: less than 95% (non-condensing)
Dimensions (mm)	160.8×79×64
Weight (net)	Approx. 0.5KG
Installation	Ceiling mounting Wall mounting
Certificate	EMC: EN 55032:2015+A11:2020 EN 55035:2017+A11:2020 Safety: EN IEC 62368-1:2020+A11:2020 RoHS: 2011/65/EU

Appearance



Optional Accesories

Mount Bracket



PM-YZJ0105-W
Wall mount bracket,
Box camera

Disclaimer:

Panasonic accepts no responsibility or liability for the performance of the network, nor for any third-party products used in conjunction with this system. Product dimensions and masses are approximate. Specifications are subject to change without notice.