

# Panasonic

PM-VD2ULFR-W

## 2MP Fixed Dome IP Camera

Panasonic Cameras are developed to provide high security, ensuring the safety of customers in their homes, shops, and offices. Equipped with advanced intelligence features, these cameras detect line crossings, abandoned or missing objects, and more, enhancing user security and peace of mind. Moreover, the cameras guarantee customer privacy through an advanced encryption algorithm and the Region of Interest (ROI) feature built into the camera



  **NDAA**  
COMPLIANT **H.265+** **H.264**  
**H.265** **JPEG**  **SECURE** **IP67**  
SSL ENCRYPTION

### Key Features

- 2MP Fixed Dome Network Camera
- 120dB Wide Dynamic Range
- Color Night Vision: 0.005 lux @F1.6, AGC ON
- IR range: 20 ~ 30 m
- IP67 protections from dust and water
- IK10 protection for Vandal resistance
- Advanced encryption and access control
- NDAA

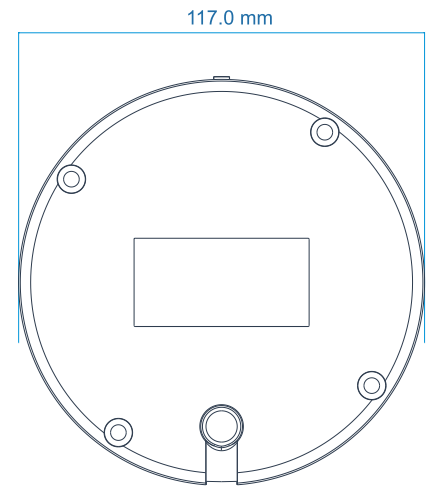
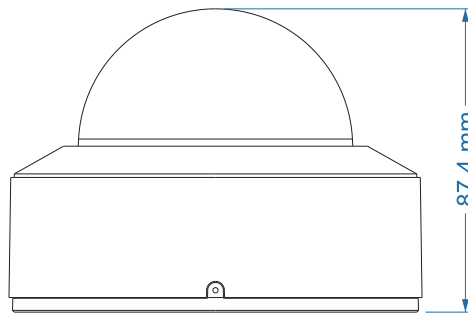
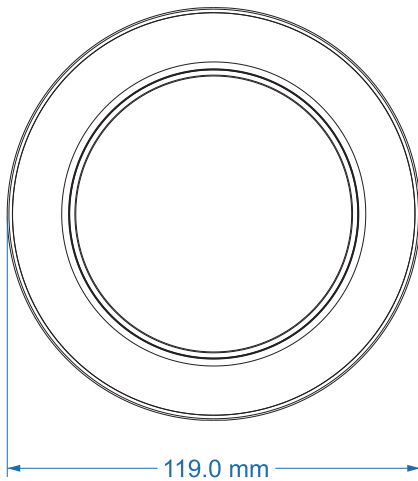
# Specifications

CAMERA	
Type	2MP Fixed Dome Network Camera
Image Sensor	1/2.8" CMOS
Max Resolution	2MP(1920×1080)
Electronic Shutter	1/1s - 1/1000000 s
Min. Illumination	0.005 lux @F1.6, AGC ON
IR Distance / Light Range	20 - 30 m
LENS	
Focal Length	2.8mm@F1.6
Focus	Fixed
Iris Type	Fixed Iris
Optical Zoom	-
Angular Field of View	H.FoV: 106° V.FoV:55° D.FoV:128.2°
Day&Night	ICR
IMAGE	
Video Compression	Main stream: H.265+/H.265/H.264+/H.264 Sub/thirdstream:H.265+/H.265/H.264+/H.264/MJPEG
Supported Resolution	1080P (1920×1080) 720P (1280×720) D1(704×480) VGA(640×480) 480×240 CIF(352×288)
Number of Supported Stream	3
Mainstream	60Hz: 1080P/720P(1~30fps) 50Hz: 1080P/720P(1~25fps)
Sub Stream	60Hz: D1/640×480/CIF(1~30fps) 50Hz:D1/640×480/CIF(1~25fps)
Third Stream	60Hz: D1/480×240/CIF (1~30fps) 50Hz: D1/480×240/CIF (1~25fps)
Bit Rate	128 Kbps~6 Mbps
Bit Rate Type	VBR/CBR
Image Settings	ROI Saturation Brightness Hue Contrast Wide Dynamic Sharpness Image Mirror Image Flip NR etc.adjustable through client software or web browser
Audio Compression	G711A/U
Region Of Interest	Each ROI to be configured separately
OPERATIONAL	
Wide Dynamic Range	120dB
Back Light Compensation (BLC)	Yes
High Light Compensation (HLC)	Yes
Defog	-
Digital Noise Reduction (DNR)	Yes
S/N ratio	≥50dB
Angle Adjustment	Pan: 0°~355° Tilt:0°~70° Rotation: 0°~180°
INTERFACES	
Network	RJ 45 10M/100M self-adaptive Ethernet port
Video	-
Audio	1CH audio input 1CH built-in MIC
Storage	Built-in micro SD card slot, up to 256GB
Alarm	-
DORI DISTANCE	
Lens	2.8mm
Detect	41m(135ft)
Observe	16m(54ft)
Recognize	8m(28ft)
Identify	4m(14 ft)

# Specifications

INTELLIGENT ANALYTICS	
Statistics	-
Audio Exception Detection	-
Face Detection	-
Face Recognition and Matching	
Video Metadata(Human/Vehicle Attributes / Two Wheelers)	-
OTHER ANALYTICS	
Motion Detection	-
Smart Alarm	Motion detection SMD SD card full, SD card error IP address conflict Cable disconnection Video exception (scene change, video blur and abnormal color detection)
Smart Event	Line Crossing Region Intrusion Detection(Human/Motor Vehicle/Non-Motor Vehicle Classification) Abandoned/Missing Object Detection
FUNCTIONS	
Remote Monitoring	Web browser NVR Panasonic VMS 2.X Mobile APP
Web Browser	Chrome 89.0+ Edge 89.0+ Firefox 87.0+ Safari 14.0+
Online Connection	Support simultaneous monitoring for up to 6 users Support multi-stream real time transmission
Network Protocol	UDP, IPv4, IPv6, DHCP, NTP, RTSP, RTP, RTCP, PPPoE, DDNS SMTP, FTP, 802.1x, SNMP, UPnP, RTMP, HTTP, HTTPS HTTP POST, P2P, QoS
Interface Protocol	ONVIF Profile S/G/M/T
Other Function	Watermark IP address filtering Video mask Heartbeat Smart IR Corridor pattern ANR Cloud upgrade
Security	Video encryption Firmware encryption HTTPS encryption Configuration encryption Illegal login lock IP address filtering 802.1x authentication Basic and digest authentication for HTTP/RTSP NDAA
GENERAL	
Power Supply	DC12V/PoE
PoE	Yes, IEEE802.3af
Power Consumption	< 5W
Weather Protection	IP67 protections from dust and water IK10 protection for Vandal resistance
Operating Environment	-30°C~60°C [-22°F~140°F] Humidity: less than 95% (non-condensing)
Storage Environment	-30°C~65°C [-22°F~149°F] Humidity: less than 95% (non-condensing)
Dimensions (mm)	Ø119×87.8
Weight (net)	Approx. 0.64KG
Installation	Ceiling mounting Wall mounting
Certificate	EMC: CE/EN 55032:2015+A11:2020 EN 55035:2017+A11:2020 Safety: IEC 62368-1:2020+A11:2020 RoHS: 2011/65/EU

## Appearance



## Optional Accesories

### Mount Bracket



**PM-YH0101B-W**  
Junction box



**PM-YZJ0203-W**  
Wall Mount Bracket



**PM-YZJ701A-W**  
In-ceiling Mount  
Bracket



**PM-YZJ0406-W**  
Wall Mount Bracket



**PM-YH0101B-W+**  
**PM-YZJ0406-W+**  
**PM-YZJ0501-W**  
Pole Mount Bracket



**PM-YH0101B-W+**  
**PM-YZJ0406-W+**  
**PM-YZJ0601-W**  
Corner Mount  
Bracket



**PM-YH0101B-W+**  
**PM-YZJ0810-W**  
Ceiling Mount  
Bracket

### Disclaimer:

Panasonic accepts no responsibility or liability for the performance of the network, nor for any third-party products used in conjunction with this system. Product dimensions and masses are approximate. Specifications are subject to change without notice.