

Panasonic

Hair Styler

整髮器

헤어스타일러

منسق الشعر

แปรงหัวผมไฟฟ้า

Bộ tạo dáng tóc

Alat Perapi Rambut

Operating Instructions

使用說明書

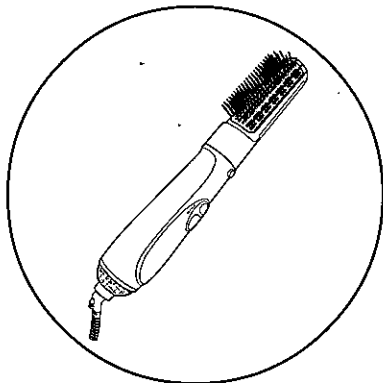
사용 설명서

تعليمات التشغيل

คำแนะนำในการใช้งาน

Hướng dẫn sử dụng

Petunjuk Cara Menggunakan



Model No. EH7911

型號

EH7914

모델명

EH7921

نموذج رقم

EH7923

รุ่น

Kiểu máy số

EH7925

Model Nomor

EH7926

Before operating this unit, please read these instructions completely and save this manual for future use.

在使用此產品前，請仔細閱讀此使用說明書，並保留此書以供日後參考。

이 제품을 사용하기 전에 반드시 사용 방법을 완전히 이해하시기 바라며, 언제든지 사용할 수 있도록 잘 보관하시기 바랍니다.

قبل تشغيل الوحدة من فضلك اقرأ هذه الإرشادات تماماً واحفظ هذا الدليل للإستخدام في المستقبل.

ก่อนใช้งาน กรุณาอ่านคู่มือการใช้งานตัวอย่างละเอียด และเก็บไว้เพื่อใช้อ้างอิงต่อไป

Vui lòng đọc kỹ hướng dẫn trước khi sử dụng.

Sebelum menggunakan alat ini, bacalah semua petunjuk cara menggunakan ini dengan baik dan simpanlah buku ini baik-baik untuk referensi Anda.

Figure 1 (圖 1)



Figure 2 (圖 2)

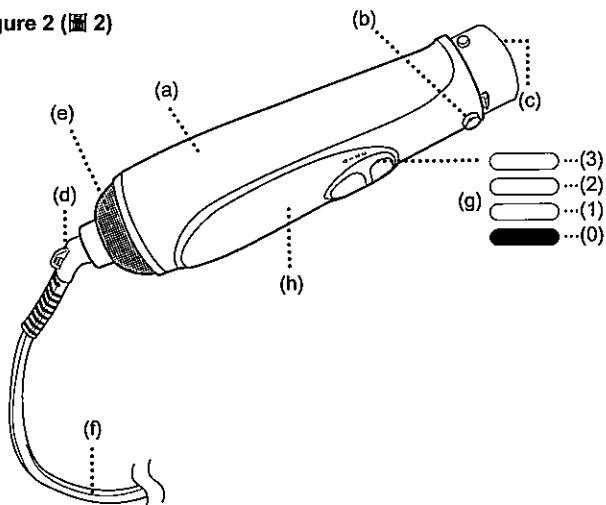


Figure 3 (圖 3)

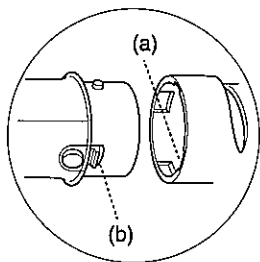


Figure 4 (圖 4)

	Static Electricity Cut Panel	(a)	(b)	(c)	(d)	(e)	(f)	(g)
EH7911		<input type="radio"/>						
EH7914		<input type="radio"/>		<input type="radio"/>		<input type="radio"/>	<input type="radio"/>	
EH7921	<input type="radio"/>	<input type="radio"/>						
EH7923	<input type="radio"/>	<input type="radio"/>	<input type="radio"/>	<input type="radio"/>				
EH7925	<input type="radio"/>	<input type="radio"/>	<input type="radio"/>	<input type="radio"/>	<input type="radio"/>	<input type="radio"/>		
EH7926	<input type="radio"/>	<input type="radio"/>		<input type="radio"/>	<input type="radio"/>	<input type="radio"/>	<input type="radio"/>	<input type="radio"/>

Figure 5 (圖 5)

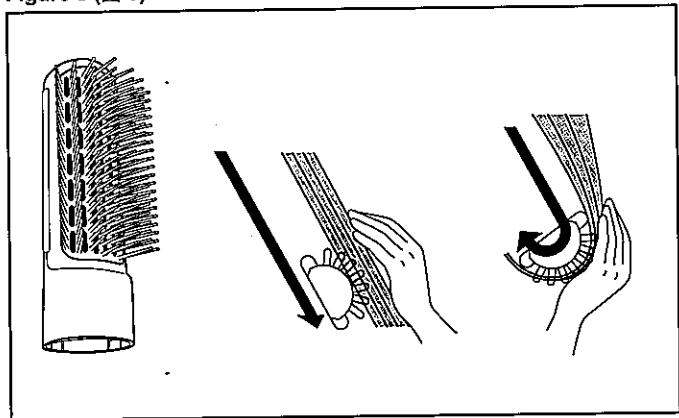


Figure 6 (圖 6)

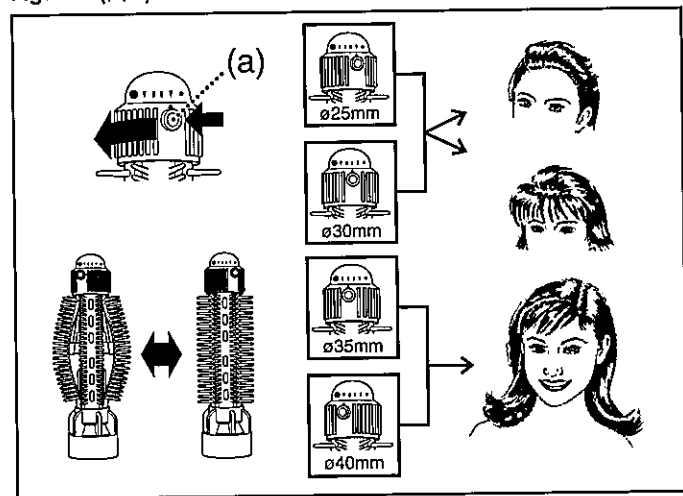


Figure 7 (圖 7)

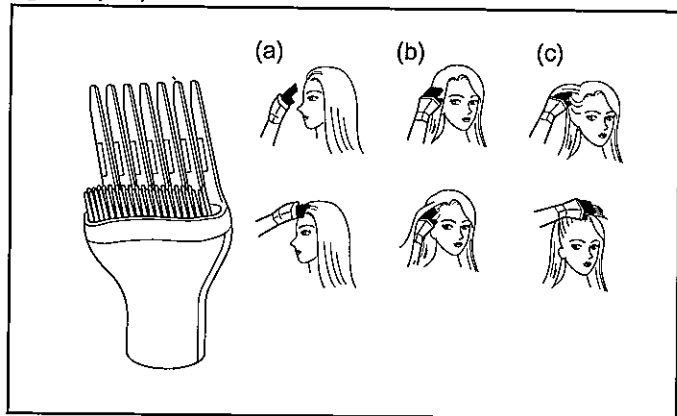


Figure 8 (圖 8)

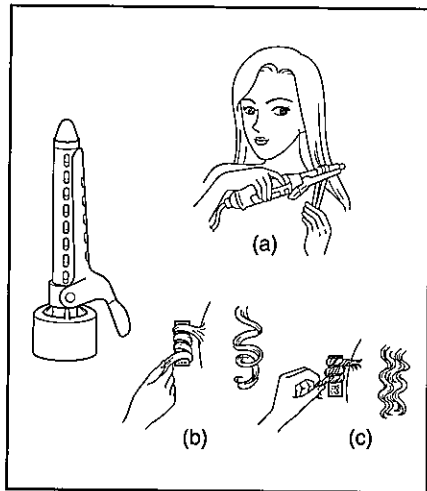


Figure 9 (圖 9)

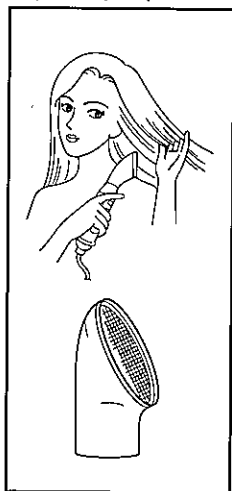


Figure 10 (圖 10)

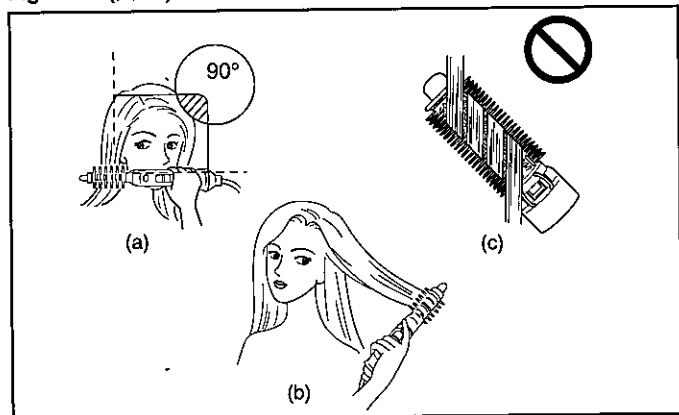
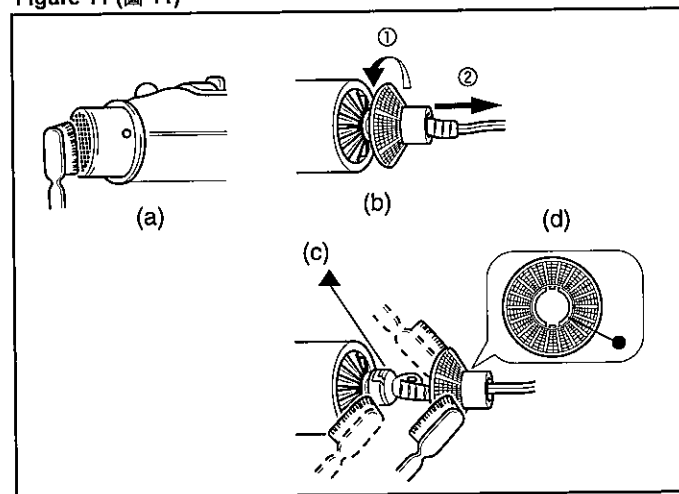


Figure 11 (圖 11)



Safety Instructions

Please read the safety instructions before using this product. The safety instructions explained here are to help you use this product safely and correctly, and also to prevent you from injuring yourself or others.

The safety instructions shown here are classified as follows.

WARNING: Indicates contents which may lead to death or serious injuries.

CAUTION: Indicates contents which may lead to serious injuries or damages to properties.

After reading these instructions, store the manual where it is accessible to the user(s).

WARNING

Electrical Conditions

1. Always switch off the hair styler ("0" position) after use and before unplugging the product from the power socket. Pull out the plug when not in use. Always grasp the plug while unplugging and never unplug by pulling the cord. Failure to do so may lead to fire and/or accident.
2. Before connecting the appliance, check that the voltage indicated on the appliance corresponds to the local main voltage.
3. Do not cut, damage, or modify the cord. Do not pull, twist, or bend the cord with unnecessary force. Do not place heavy objects on the cord or allow the cord to get pinched in between objects. Do not wind the cord around the product as it may cause fire and/or electric shock. If the cord is damaged or gets heated up, discontinue use immediately.
4. The installation of a faulty current protective device with a rated breaking current offers you additional safety by ensuring that 30mA will not be exceeded in the house installation. Seek advice from qualified electrician.

Using The Appliance



1. Discontinue use immediately if the unit produces air intermittently, the cord or plug is damaged or becomes hot. It may cause fire, electric shock, short circuit, and/or burns.
2. Never insert foreign objects such as hair pins into either the air inlet or outlet. It may cause fire, burns, and/or electric shock.
3. Do not use the unit near inflammable materials such as benzene, paint thinner, sprays, etc. It may cause an explosion or fire.
4. Do not use the product while your hands are wet. It may cause electric shock, and/or short circuit.
5. Do not use and/or place/store unit near places where it is exposed to water such as bathtubs, washbasins, or other vessels, and areas with high humidity. It may cause electric shock and/or fire as a result of a deteriorating insulation. Do not submerge the product in water. It may cause electric shock, and/or short circuit.
6. Keep the unit away from children. Do not let them use or play with the unit. Allowing children to play with the unit may result in burns, electric shock or other injuries.
7. When the hairstyler is used in a bathroom, unplug it after use as the proximity of water may be hazardous even when the hairstyler is switched off.

Repairing the Unit

1. Do not attempt to repair, disassemble, or modify the unit by yourself. You may injure yourself as a result of fire, or abnormal operation.
2. If the cord or plug of the unit is damaged, discontinue use immediately. Bring the damaged unit to the nearest authorized service center or qualified repair technician for repair or replacement. Repair done by unqualified personnel can lead to extreme hazards such as fire as a result of abnormal operation.

CAUTION

1. Do not put your hands on the air outlets. You may get burned.
2. Do not leave the unit switched on. It may cause fire.
3. Do not use the product if the air outlets are damaged. You may get burned.
4. Do not use the unit for purposes other than drying and styling human hair. And avoid using the dryer on an infant. It may result in burns, fire, and/or accidents.
5. Do not use the product if you have damaged it by dropping or knocking it. This may cause electric shock and/or fire.
6. Do not touch the attachments as they will become hot during/after use. Failure to do so may result in burns.
7. Exercise extreme caution to prevent hair from being sucked into the air inlets. It may result in burns.
8. Do not use thinner, benzene, or any other solvents to clean the unit as it may damage the unit.
9. This product is equipped with an automatic overheating protective device. If the appliance overheats, it will switch off. Unplug the appliance. Allow it to cool down for a few minutes, and the appliance can be used again. Before switching on again, check for blockage caused by fluff, hair etc, at the air inlet and outlet.
10. Do not attempt to wrap the electrical cord around the main body when you store the product. It may damage the cord or the connector because an excessive stress is applied. (Figure 1)

Static Electricity Cut Panel

The static electricity cut panel helps restrain hair adherence and flyaway hair caused by static electricity.

- * This function is only effective when the power is switched on and the static electricity cut panel is touched.
- * This function will be more effective if hair is moistened first.

Parts Identification (Figure 2)

- (A) Body
 - (B) Attachment Release Button
 - (C) Air Outlet
 - (D) Hang Ring
 - (E) Air Inlet
 - (F) Cord
 - (G) Power Switch/Speed Selector
 - (H) Static Electricity Cut Panel
- 0: Off
1: Cool mode
2: Set mode
3: Dry mode

How to use the product

■ Fixing the Attachment (Figure 3)

- (a) Hook
- (b) Groove of Attachment
 - Align the attachment with the unit as shown. Ensure that the groove of the attachment and the hook of the unit are in line. Attach them together until a "click" sound is heard.
 - To remove, press the attachment release button and pull out the attachment.

■ Attachments (Figure 4)

- (a) Blow Brush
- (b) Adjustable Roller Brush
- (c) Air Iron
- (d) Volume Lifter
- (e) Nozzle
- (f) Slim Roller Brush
- (g) Roller Brush

- Blow Brush (Figure 5)
- For creating beautiful side waves.
 - The Blow Brush has a rubber "Hair Catcher" at the side for more effective styling.

- (a) To straighten the hair, take up a small tress of hair (less than 2 cm in width). Brush from the inside and pull it down gently. Use your free hand to support the motion.
- (b) To make an inward curl, brush the hair from the inside out till the end the hair, and turn the brush inward. Hold on to it for a while before releasing.

- Adjustable Roller Brush (Figure 6)
 - Diameter of the Roller Brush can be adjusted to create various levels of curls, from 25 mm - 40 mm.
- (a) To adjust the diameter of the Roller Brush, push and hold the button to obtain the desired diameter.
 - Release button once diameter is set.
 - To create curls for the fringe, take a small tress of hair and roll it firmly around the Roller Brush. Adjust the diameter of the Roller Brush between 25 mm-30 mm to obtain the most desirable result.
 - For creating curls at sides, take a small tress of hair and roll it gently around the Roller Brush. Adjust the diameter of the Roller Brush to 40 mm to obtain the best result.
- Volume Lifter (Figure 7)
 - This attachment adds volume to the fringe, top, and back portion of the hair.
- (a) Creating volume for the fringe
 - Slide the volume lifter into the front portion of the hair and move gently to the back. Allow the warm air to set the hair.
 - (b) Creating volume for the sides
 - Slide the volume lifter into the side of the hair, with the volume lifter touching the scalp of the hair and move it towards the top portion of your hair. Allow warm air to set the hair.
 - (c) Creating volume for the top
 - Slide the volume lifter from the side of the head, with the volume lifter touching the scalp of the hair and move it towards the top part of the head until the entire tress of hair is lifted up.
- Air Iron (Figure 8)
 - For creating beautiful spiral curls.
- (a) Take a small tress of hair and place it under the clamp.
 - (b) Roll it tightly around the iron in the desired direction.
- (c) Depending on the desired types of curls, the hair can be curled inwards or outwards to create different directional curls.
 - Allow hot air to set the hair for 10 seconds before unrolling.
- Nozzle (Figure 9)
 - For overall drying and adding on to the finishing touch.
- Slim Roller & Roller Brush (Figure 10)
 - The followings are some tips on preventing tangled hair while using the roller brush.
- (a) Take only a small tress of hair when rolling and roll the hair at a right angle (90°) as shown.
 - (b) Do not attempt more than two level of rolls each time.
 - (c) While unrolling the hair, keep the roller as far away as possible from the head and unroll the roller at the same angle of rolling the hair.
 - * Do not roll or unroll your hair at an incline angle.
 - * Do not change the diameter of the attachment while rolling the hair.
- Maintaining the product (Figure 11)
 - Clean the air inlet and outlet to prevent blockages that may cause overheating.
 - The unit should be cleaned at least once a month.
 - To clean the unit, switch off the unit ("0" position) and unplug the unit from the power outlet.
- (a) Clean the air outlet using a brush as shown.
 - (b) To clean the air inlet, remove the filter by turning it anti-clockwise direction and pulling the filter towards your direction.
 - (c) Remove dust or hair by using a brush.
 - (d) To re-attach the filter, ensure that the groove of the connector and the projection of the filter are in line. Twist to fit.

Specifications

Model No. : EH7911/EH7914

Voltage	110V*	220V	230V	240V
Output	35W/600W	70W/550W	75W/600W	80W/650W
Dimensions	48(W) X 195(D) X 48(H) mm (Main Body)			
Weight	260g	270g		

Model No. : EH7921/EH7923/EH7925/EH7926

Voltage	110V*	220V	230V	240V
Output	35W/600W	70W/550W	75W/600W	80W/650W
Dimensions	48(W) X 195(D) X 48(H) mm (Main Body)			
Weight	265g	275g		
With Static Electricity Cut Panel				

* Only available in Taiwan.

Panasonic Corporation
<http://panasonic.net>

© EN, CH, KO, AR, THAI, VN, INDO

Printed in Thailand
EH921079114 N0904-30312