

# Panasonic<sup>®</sup>

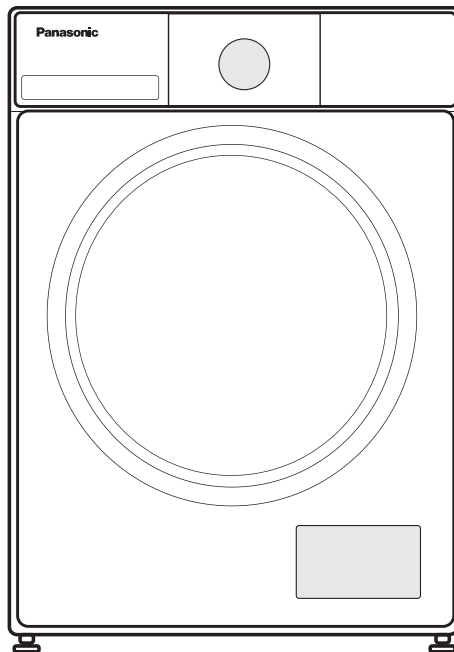
## Operating Instructions Washer and Dryer

---

Model no: NA-S086M4\*  
NA-S128M4\*

---

Thank you for purchasing this product.



\*Picture is only for illustration

\*LAS/LAE-Silver  
\*WAS/WAE-White

Before operating this unit, please completely read these instructions especially the **Safety Precautions and Important Instructions**.

# CONTENTS

<b>SAFETY INSTRUCTIONS</b>	02
<b>PRODUCT OVERVIEW</b>	06
<b>QUICK START GUIDE</b>	07
<b>PRODUCT INSTALLATION</b>	09
<b>OPERATION INSTRUCTIONS</b>	13
<b>CLEANING AND MAINTENANCE</b>	23
<b>TROUBLESHOOTING</b>	27
<b>SPECIFICATIONS</b>	28
<b>RAT PANEL INSTALLATION INSTRUCTION</b>	29
<b>DISPOSAL AND RECYCLING</b>	30



Read all instructions and explanations before use. Follow the instructions carefully. Keep the operation instructions handy for later use. If the appliance is sold or passed on then ensure that the new owner always receives these operation instructions.

# SAFETY INSTRUCTIONS

- This appliance is not intended for use by persons (including children) with reduced physical, sensory or mental capabilities or lack of experience and knowledge unless they have been given supervision or instruction concerning use of the appliance by a person responsible for their safety.
- Children should be supervised to ensure that they do not play with the appliance.
- If the power cord is damaged, it must be replaced by the manufacturer, its service agent or similarly qualified persons in order to avoid a hazard.
- The new hose-sets supplied with the appliance are to be used and that old hose-sets should not be reused.
- The openings must not be obstructed by a carpet.
- This appliance is intended to be used in household and similar applications such as:
  - Staff kitchen areas in shops, offices and other working environments;
  - Farm houses;
  - By clients in hotels, motels and other residential type environments;
  - Bed and breakfast type environments;
  - Areas for communal use in blocks of flats or in launderettes.
- That the tumble dryer is not to be used if industrial chemicals have been used for cleaning.
- That lint must not be allowed to accumulate around the tumble dryer (not applicable for appliances intended to be vented to the exterior of the building).
- That adequate ventilation has to be provided to avoid the back flow of gases into the room from appliances burning other fuels, including open fires.
- Do not dry unwashed items in the tumble dryer.
- Items that have been soiled with substances such as cooking oil, acetone , alcohol, petrol, kerosene, spot removers, turpentine, waxes and wax removers should be washed in hot water with an extra amount of detergent before being dried in the tumble dryer.
- Items such as foam rubber(latex foam), shower caps, waterproof textiles, rubber backed articles and clothes or pillows fitted with foam rubber pads should not be dried in the tumble dryer.
- Fabric softeners, or similar products, should be used as specified by the fabric softener instructions.
- Remove all objects from pockets such as lighters and matches.
- That exhaust air must not be discharged into a flue which is used for exhausting fumes from appliances burning gas or other fuels.
- That the appliance must not be installed behind a lockable door, a sliding door or a door with a hinge on the opposite side to that of the tumble dryer, in such a way that a full opening of tumble dryer door is restricted.

For your safety, the information in this manual must be followed to minimize the risk of fire or explosion, electric shock, or to prevent property damage, personal injury or loss of life.

# SAFETY INSTRUCTIONS

## Explanation of Symbols



### DANGER

This symbol indicates that there are dangers to the life and health of persons due to extremely flammable gas.



### WARNING OF ELECTRICAL VOLTAGE

This symbol indicates that there is a danger to life and health of persons due to voltage.



### WARNING

This combination of symbol and signal word indicates a potentially dangerous situation which may result in death or serious injuries unless it's avoided.

Never stop a tumble dryer before the end of the drying cycle unless all items are quickly removed and spread out so that the heat is dissipated.

The appliance must not be supplied through an external switching device, such as a timer, or connected to a circuit that is regularly switched on and off by a utility.



### CAUTION

This combination of symbol and signal word indicates a potentially dangerous situation which may result in slight or minor injuries or damage to property and the environment.



### NOTE

This combination of symbol and signal word indicates a potentially dangerous situation which may result in slight or minor injuries.



### OBSERVE INSTRUCTIONS

This symbol indicates that a service technician should only operate and maintain this appliance in accordance with the operating instructions.

## WARNING:

### The Electric Shock!

- Before any maintenance of the device, unplug the appliance from the mains.
- Always unplug the machine and turn off the water supply after use. The max. inlet water pressure is 1MPa, The min. inlet water pressure is 0.05MPa.
- To ensure your safety, power plug must be inserted into an earthed three-pole socket. Check carefully and make sure that your socket is properly and reliably earthed.
- Make sure that the water and electrical devices must be connected by a qualified technician in accordance with the manufacturer's instructions and local safety regulations.
- Plug must be accessible after installation.
- Pull out its plug and cut off water supply after the operation.
- Take care that power voltage and frequency shall be identical to those of washing machine.

- Glass door may be very hot during the operation. Keep kids and pets far away from the machine during the operation very wet rooms as well as in the rooms with explosive or caustic gas.
- Remove all packages and transport bolts before using the appliance. Otherwise, serious damage may result.
- The washing machine with single inlet valve only can be connected to the cold water supply. The product with double inlet valves should be correctly connected to the hot water and cold water supply.
- Do not use any socket with rated current less than that of appliance. Never pull out power plug with wet hand.

### **Risk to Children!**

- Children of less than 3 years should be supervised to ensure that they do not play with appliance.
- Animals and children may climb into the machine. Check the machine before every operation.
- Kids should be supervised that they do not play with the appliance.

### **Risk of Explosion!**

- Do not wash or dry articles that have been cleaned in, washed in, soaked in, or dabbed with combustible or explosive substances ( such as wax, oil, paint, gasoline, degreasers, dry-cleaning solvents, kerosene, etc.) This may result in fire or explosion.
- Before hand, thoroughly rinse items of washing by hand.



### **CAUTION!**

### **Installing the Product!**

- This washing machine is for indoor use only.
- It isn't intended to be built-in using.
- Washing machine shall not be installed in bath room or very wet rooms as well as in the rooms with explosive or caustic gases.
- Remove all packages and transport bolts before using the appliance. Otherwise, serious damage may result.
- The washing machine with single inlet valve only can be connected to the cold water supply. The product with double inlet valves should be correctly connected to the hot water and cold water supply.
- Plug must be accessible after installation.

### **Risk of Damaging Appliance!**

- Your product is only for home use and is only designed for the textiles suitable for machine washing.
- Do not climb up and sit on top cover of the machine.
- Do not lean against machine door.
- Cautions during Handling Machine:
  1. Transport bolts shall be reinstalled to the machine by a specialized person.
  2. The accumulated water shall be drained out of the machine.
  3. Handle the machine carefully. Never hold each protruded part on the machine while lifting. Machine door can not be used as the handle during the conveyance.
  4. This appliance is heavy. Transport with care.
  5. A precaution indicates that the hands shall not be inserted into running water-extracting tub.
  6. A precaution indicates that the appliance shall not be installed at a humid place.

# SAFETY INSTRUCTIONS

- Please do not close the door with excessive forces. If it is found difficult to close the door, please check if the clothes are put in or distributed well.
- It is forbidden to wash carpets.

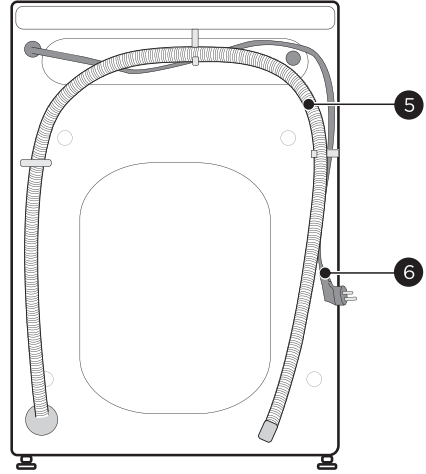
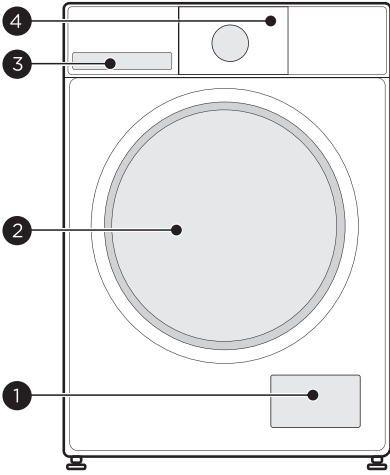
## Operating the Appliance!

- Before washing the clothes at first time, the product shall be operated in one round of the whole procedures without the clothes inside.
- Flammable and explosive or toxic solvents are forbidden.
- Gasoline and alcohol etc. shall not be used as detergents.
- Please only select the detergents suitable for machine washing, especially for drum.
- Make sure that all pockets are emptied. Sharp and rigid items such as coin, brooch, nail, screw or stone etc. may cause serious damages to this machine.
- Please check whether the water inside the drum has been drained before opening its door. Please do not open the door if there is any water visible.
- Be careful of burning when the product drains hot washing water.
- Never refill the water by hand during washing.
- After the program is completed, Please wait for two minutes to open the door.

## Transport

- Before Transport:
  - Bolts shall be reinstalled to the machine by a specialized person;
  - Accumulated water shall be drained out of the machine.
- This appliance is heavy. Transport with care. Never hold any protruding part of the machine when lifting. The machine door can not be used as a handle.

# PRODUCT OVERVIEW



1	Service flap
2	Door
3	Detergent dispenser

4	Control panel
5	Drain hose
6	Power supply cord

**NOTE**

The product picture is for illustration only, please refer to real product as reference.

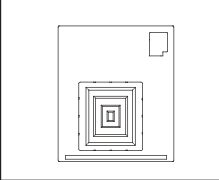
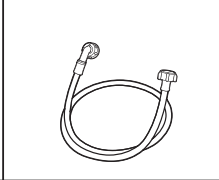
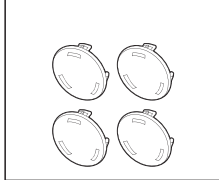
## Accessories

4 x Cover caps

1 x Supply hose cold water

1 x Owner's manual

1 x Rat panel



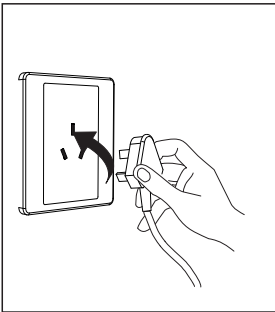
# QUICK START GUIDE

## CAUTION

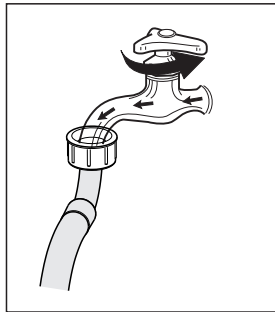
- Before washing, please make sure the machine is installed properly.
- Your appliance was thoroughly checked before it left the factory. To remove any residual water and to neutralize potential odors, it's recommended to clean your appliance before first use. For this reason, recommended to clean the inner drum by running the "Drum Clean" or other program with the optional temperature of 90 degrees. Be careful not to put laundry and detergent in the machine.

## 1. Before Washing

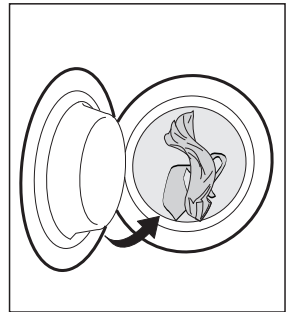
1. Plug in



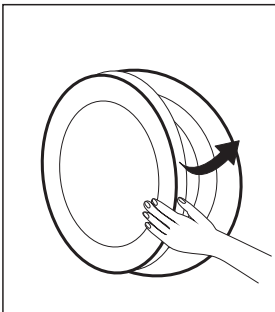
2. Open tap



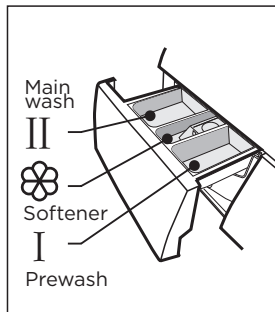
3. Load



4. Close door



5. Add detergent



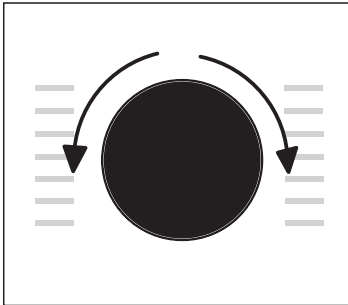
## NOTE

Detergent need to be added in compartment I if the pre-wash function is selected.

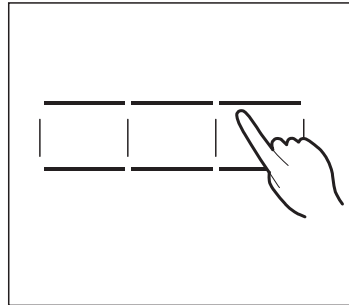


## 2. Washing

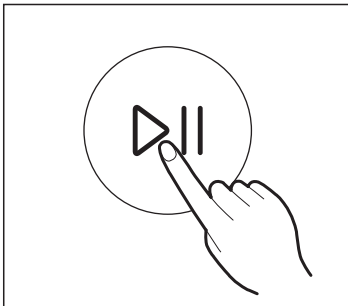
1. Select programme



2. Select function or remain default settings



3. Press Start/Pause to start the program



## 3. After Washing

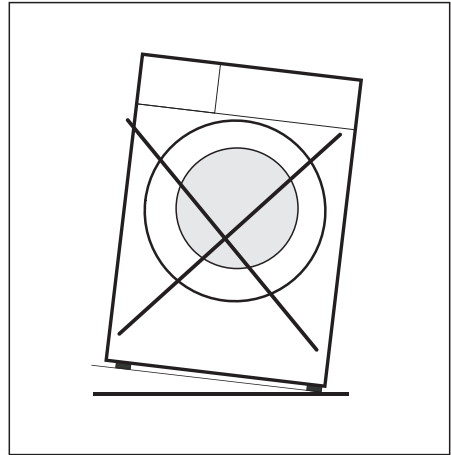
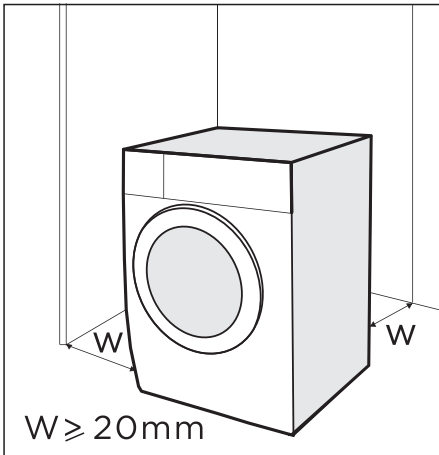
Buzzer beep and “End” on display.

# PRODUCT INSTALLATION

## Installation Area

### WARNING

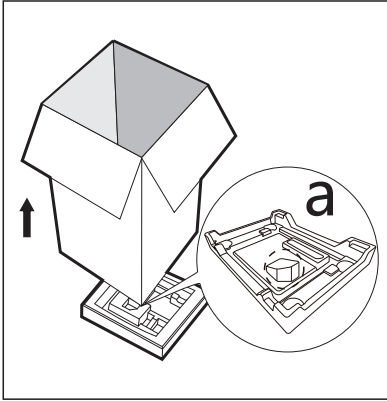
- Stability is important to prevent the product from wandering!
- Make sure the machine is standing leveled and stable.
- Make sure that the product does not stand onto the power cord.
- Make sure to maintain the minimum distances from the walls as shown in the picture.



Before installing the machine, the location characterized as follows shall be selected:

1. Rigid, dry, and level surface.
2. Avoid direct sunlight.
3. Sufficient ventilation.
4. Room temperature is above 5 °C .
5. Keep far away from the heat sources such as coal or gas burning appliances.

## Unpacking the Machine



### **⚠ WARNING**

- Packaging material (e.g. Films, Styrofoam) can be dangerous for children.
- There is a risk of suffocation ! Keep all packaging well away from children.

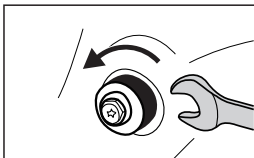
1. Remove the cardboard box and styrofoam packing.
2. Lift the machine and remove the base packaging. Make sure the small triangle foam (a) is removed with the bottom packaging together. If not, lay the unit down on the side surface and remove it manually.
3. Remove the tape securing the power supply cord and drain hose.
4. Remove the inlet hose from the drum.

## Remove Transport Bolts

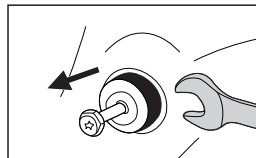
### **⚠ WARNING**

You must remove the transport bolts from the backside before using the product.

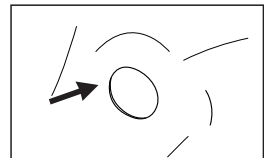
1. Loosen the 4 transport bolts with a spanner.



2. Remove the bolts including the rubber parts and keep them for future use.



3. Close the holes using the cover caps.

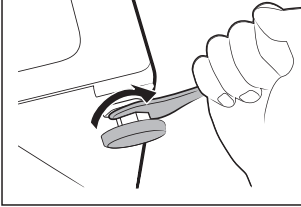


# PRODUCT INSTALLATION

## Levelling the Machine

### WARNING

The lock nuts on all four feet must be screwed tightly against the housing.



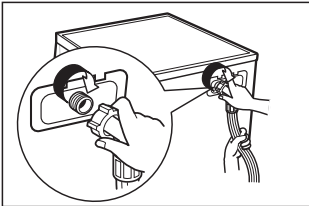
1. Loosen the lock nut.
2. Turn the foot until it reaches the floor.
3. Adjust the legs and lock the nuts with a spanner.  
Make sure the machine is level using a spirit level.

## Connect the Water Supply Hose

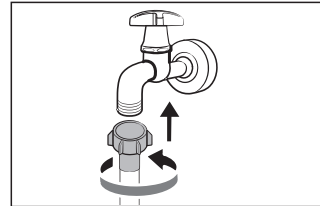
### WARNING

To prevent leakage or water damage, follow the instructions in this chapter.

- Do not kink, crush or modify water inlet hose.



Connect the water supply hose to the water inlet valve and a water tap with cold water as indicated.



### NOTE

- Connect manually, do not use tools. Check if the connections are tight.

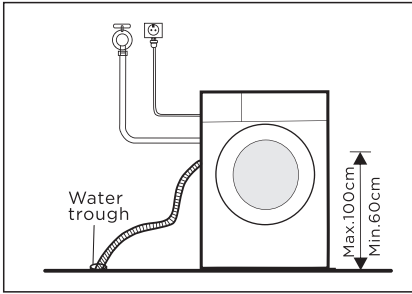
## Drain Hose

### WARNING

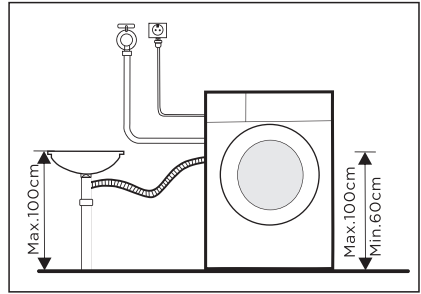
- Do not kink or protract the drain hose.
- Position drain hose properly ,otherwise damage might result in water leakage.
- It is not allowed to remove the buckle of drain pipe.

There are two ways to place the end of drain hose:

1. Put it into the water trough.



2. Connect it to the branch drain pipe of the trough.

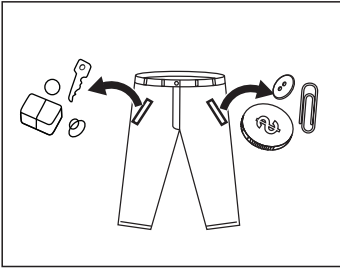


# OPERATION INSTRUCTIONS

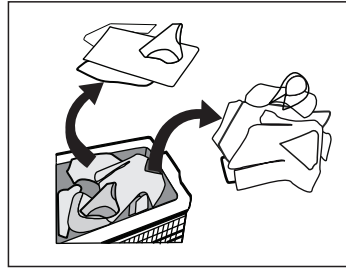
## Before Each Washing

- The ambient temperature of the machine should be 5°C-40°C. If used under 0°C, the inlet valve and draining system may be damaged. If the machine is installed under freezing conditions, it should be transferred to normal ambient temperature to ensure the water supply hose and drain hose can unfreeze before use.
- Please check your laundry care labels and the detergent use instructions before wash. Use non-foaming or less-foaming detergent suitable for machine properly.

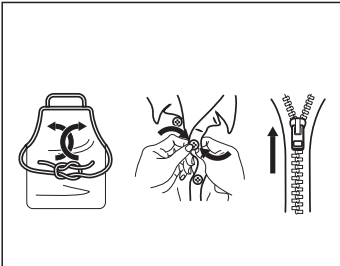
1. Take all items out of the pockets



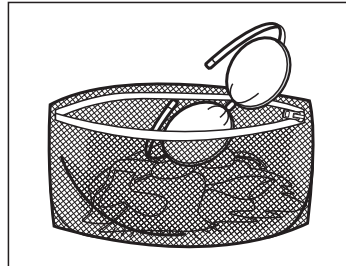
2. Sort laundry according to color and textile type



3. Tie together long textile strips and belts, close zips and button



4. Put small items into a laundry bag



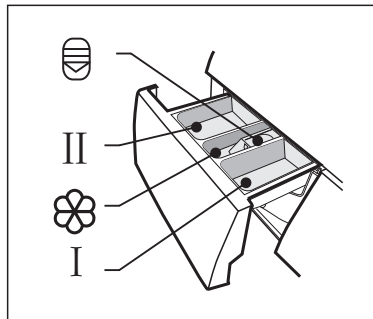
## WARNING

- Do not wash or dry articles that have been cleaned in, washed in, soaked in, or dabbed with combustible or explosive substances like wax, oil, paint, gasoline, alcohol, kerosene, and other flammable materials.
- Washing single clothes items may easily create big eccentricity. Therefore it is suggested to add one or two more laundry items to the wash so that spin can be done smoothly.
- Do not wash, spin water-proof seats, mats ,or clothing.

## Detergent Dispenser

- I Pre wash
- II Main wash
- ☼ Softener
- ☉ Release button to pull out the dispenser

1. Pull out the drawer.
2. Fill pre-detergent into Case I (when necessary).
3. Fill detergent into Case II.
4. Fill softener into Case ☼ (when necessary).



### ⚠ CAUTION

- Detergent only need to be added in “compartment I ”after selecting pre-wash function.

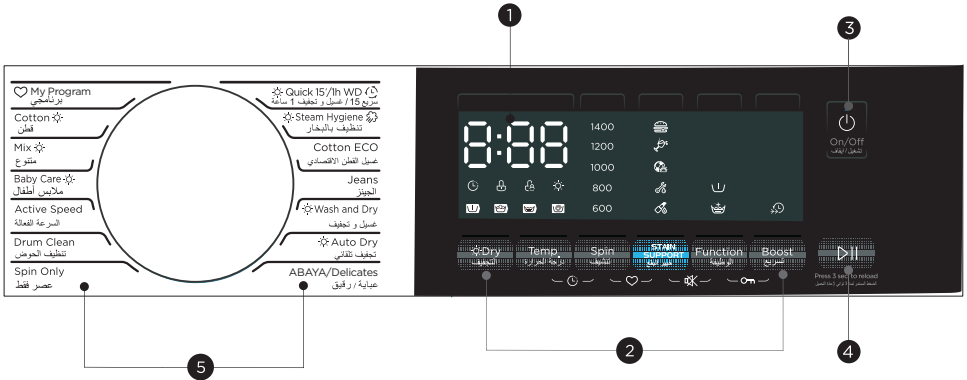
Programme	I	II / ☉	☼	Programme	I	II / ☉	☼
My Program				Quick 15'/1h WD		●	○
Cotton	○	●	○	Steam Hygiene	○	●	○
Mix	○	●	○	Cotton ECO		●	○
Baby Care	○	●	○	Jeans	○	●	○
Active Speed	○	●	○	Wash and Dry		●	○
Drum Clean				Auto Dry			
Spin Only				ABAYA/Delicates		●	○

- Means must      ○ Means optional

### ● NOTE

- As for the agglomerated or ropy detergent or additive, before they are poured into the detergent box, it is suggested to use some water for dilution to prevent the inlet of detergent box from being blocked and overflowing while filling water.
- Please choose suitable type of detergent for the various washing temperature to get the best washing performance with less water and energy consumption.

## Control Panel



### 1 Display

The display shows settings, estimated remaining time, options and status messages.

### 2 Option

Press buttons to change program parameters or select additional functions.

### 3 On/Off

Product is switched on and off.

### 4 Start/Pause

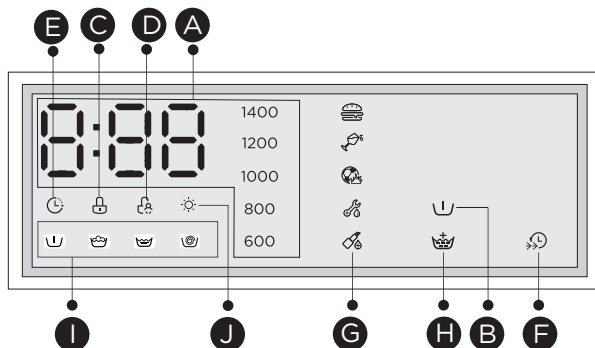
Start or pause your program.

### 5 Program

Choose appropriate program according to the laundry type.



## Display



### A Display

Wash Time  
1:25  
Speed  
600  
End  
End

Delay Time  
2H  
Error  
E30  
Temp.  
30

### B Pre Wash

### C Door Lock

### D Child Lock

### E Delay

### F Boost

### G STAIN SUPPORT

### H Extra Rinse

### I Pre Wash-Wash-Rinse-Spin

### J Dry

## Option



### Pre Wash

The Prewash function can get an extra wash before main wash, it is suitable for washing the extra dirt which rises to the surface; You need to put detergent into the Case (I) when you select it.



### Extra Rinse

The laundry will undergo extra rinse once after you select it.






### Boost

The function can decrease the washing time.



### Dry

Press the Dry button continuously to choose the dry level: Extra Dry/Normal Dry/ Gentle Dry.

-  Extra Dry: If you need to wear the clothes immediately, choose this function. \* (Display d-3).
-  Normal Dry: The normal dry procedure (Display d-2).
-  Gentle Dry: Only to dry slightly and then is just ok (Display d-1).

## NOTE

- Drying hints
  - Clothes could be dried after spinning.
  - To ensure quality dry the textiles, please classify them according to their kinds and the drying temperature.
  - Synthetic should be set the proper drying time .
  - If you want to iron the clothes after drying, please put them for a while.
- Clothes not suitable for drying
  - Particularly delicate items such as synthetic curtains, woolen and silk, clothes with metal inserts, nylon stockings, bulky clothes, such as anoraks, bedcovers, quilts, sleeping bags and duvets must not be dried.
  - Clothes padded with foam-rubber or materials similar to foam-rubber must not be machine dried.
  - Fabrics containing residues of setting lotions or hair sprays, nail solvents or similar solutions must not be machine dried in order to avoid the formation of harmful vapours.

\* Depends on the type of fabric.



## Delay

Set the Delay function:

1. Select a Program
2. Press the [Temp.] and [Spin] simultaneously to choose the time (the delaying time is 0-24h.)
3. Press [Start/Pause] to commence the delay operation



Cancel the Delay function:

Press the [Temp.] and [Spin] simultaneously until the display be 0 h. It should be pressed before starting the Program. If the Program already started, should press the [On/Off ] button to reset the Program.

## CAUTION

- If there is any break in the power supply while the machine is operating, a special memory stores the selected Program and when the power is restarted, the machine will start automatically from the previous program with the remaining time.

Program	Option				
	Delay	Boost	Extra Rinse	Pre wash	Dry
Quick 15'/1h WD	<input type="radio"/>		<input type="radio"/>		<input type="radio"/>
Steam Hygiene	<input type="radio"/>	<input type="radio"/>	<input type="radio"/>	<input type="radio"/>	<input type="radio"/>
Cotton ECO	<input type="radio"/>	<input type="radio"/>	<input type="radio"/>		
Jeans	<input type="radio"/>	<input type="radio"/>	<input type="radio"/>	<input type="radio"/>	
Wash and Dry	<input type="radio"/>				<input type="radio"/>
Auto Dry	<input type="radio"/>				<input type="radio"/>
ABAYA/Delicates	<input type="radio"/>		<input type="radio"/>		
Spin Only	<input type="radio"/>				
Drum Clean	<input type="radio"/>				
Active Speed	<input type="radio"/>	<input type="radio"/>	<input type="radio"/>	<input type="radio"/>	
Baby Care	<input type="radio"/>	<input type="radio"/>	<input type="radio"/>	<input type="radio"/>	<input type="radio"/>
Mix	<input type="radio"/>	<input type="radio"/>	<input type="radio"/>	<input type="radio"/>	<input type="radio"/>
Cotton	<input type="radio"/>	<input type="radio"/>	<input type="radio"/>	<input type="radio"/>	<input type="radio"/>
My Program	<input type="radio"/>				

Means optional

## Other Functions



**Child Lock**  
To avoid mis operation by children.



On/Off



Start



On

Press [Function] & [Boost] simultaneously for 3 sec. until the buzzer beep. The child lock indicator switches on.



### CAUTION

When the Child Lock is activated, the display will alternately show “CL” and the remaining time.

Pressing any other button will cause the Child Lock indicator to flash.

When the program ends, “CL” and “End” will alternate on the display.

The Child Lock deactivates the function of all buttons except the On/Off button and the Child lock button!

Only the simultaneous pressing of the two buttons can deactivate the Child Lock!

Please deactivate the Child Lock before selecting a new program!



### My Program

Memorize the frequently used Programs

Press [Spin] & [STAIN SUPPORT] simultaneously for 3 sec. to memorize the running Program. The default is Cotton.



### Temp.

Press the button to regulate the temperature (Cold, 20°C, 30°C, 40°C, 60°C, 90°C).



### STAIN SUPPORT

STAIN SUPPORT offers specific treatments for five scenarios (Food, Drinks, Sports & Fitness, Outdoor & Workers, Health & Beauty) to professionally solve according laundry problems.

STAIN SUPPORT	Scenarios	Wash Cycles	Typical stain
	Food	Cotton, Mix, Baby Care, Jeans	Fresh Vegetables, Fresh Juice, Food Sauce
	Drinks	Cotton, Mix, Baby Care	Red wine, hot drink, soft drink
	Sports & Fitness	Cotton, Mix	Grass Stains, Dust, Sweat Stains
	Outdoor & Workers	Cotton, Mix, Jeans	Grease, Mud Stain, Carbon Pigment
	Health & Beauty	Cotton, Mix	Cosmetics, Blood, Drugs

**Spin** Spin  
 Press the button to change the spin speed.  
 1400: 0-600-800-1000-1200-1400

Program	Default Speed(rpm)	Program	Default Speed(rpm)
	1400		1400
Quick 15'/1h WD	800	Spin Only	1000
Steam Hygiene	1000	Drum Clean	--
Cotton ECO	1000	Active Speed	800
Jeans	800	Baby Care	1000
Wash and Dry	1400	Mix	1000
Auto Dry	1200	Cotton	1000
ABAYA/Delicates	800	My Program	--

**! CAUTION**

- When the lights of spin speed are off means the spin speed is 0.



Mute the buzzer



On/Off Start To mute the buzzer sound, Press the [STAIN SUPPORT] & [Function] simultaneously for 3 sec.

To activate the buzzer sound, press the two buttons for 3 sec. again. The setting will be kept until the next reset.

**! CAUTION**

- After the buzzer is mute, the sound of button and the operation completion will not be heard.



Reload

This operation can be executed during the washing progress. When the drum is still rolling and there is large amount of water with high temperature in the drum. The state is unsafe and the door cannot be opened forcefully. To Press [▶▶] 3 sec. to reload, and start the clothes adding in the midway function. Please follow the steps as below:

- 1.Wait until the drum stops rotation.
- 2.The door lock is unlocked.
- 3.Close the door when the clothes are reloaded and press the [Start/Pause] button.



Press [Press 3' to reload] 3 sec.

Reload the clothes

Start

## Programs

Programmes are available according to the laundry type.

### Programmes

Quick 15'/1h WD	This procedure defaults to Quick 15', press the "Dry" to switch to 1h WD. Extra short Program approx, suitable for lightly soiled washing as a small amounts of laundry.
Quick 15'	This procedure is suitable for washing few and not very dirty clothes quickly.
1h WD	For small synthetic clothes or shirts, load limitation is 1.0 kg (about 4 shirts).
Steam Hygiene	Steam is applicable for daily laundries. The steam can deeply penetrate the fiber, which effectively eliminate bacterias and germs, preventing odors and protecting your health.
Cotton ECO	Hard-wearing textiles, heat-resistant textiles made of cotton or linen. Energy-saving programme.
Jeans	Specially for jeans and denim clothes.
Wash and Dry	The standard energy program.
Auto Dry	This program is designed for drying clothes automatically to achieve the best dry performance.
ABAYA /Delicates	Washable textiles , e.g. made of silk , satin , synthetic fibres or blended fabrics.
Spin Only	Extra spin with selectable spin speed.
Drum Clean	Specially set in this machine to clean the drum and tube. It applies 90 °C high temperature sterilization to make the clothes washing more green. When this programme is performed, the clothes or other washing cannot be added. When proper amount of chlorine bleaching agent is put in, the barrel cleaning effect will be better. The customer can use this programme regularly according to the need.
Active Speed	When you start this function, it will increase more foam in the bucket, then it will improve the wash performance.
Baby Care	Washing the baby's clothes, it can make the baby's wear cleaner. and make the rinse performance better to protect the baby skin.
Mix	Mixed load consisting of textiles made of cotton and synthetics.
Cotton	Hard-wearing textiles, heat-resistant textiles made of cotton or linen.

## Washing Programs Table

Programme	Washing / Drying Load (kg)		Temp. (°C)	Default Time (h:min)
	8.0	12.0	Default	Default
Quick 15'/1h WD	2.0/1.0	2.0/1.0	-	0:15/0:58
Steam Hygiene	4.0/4.0	6.0/6.0	60	2:28
Cotton ECO	8.0	12.0	30	0:59
Jeans	8.0	12.0	30	1:35
Wash and Dry	8.0/6.0	12.0/8.0	40	4:07
Auto Dry	--/6.0	--/8.0	--	3:00
ABAYA/Delicates	8.0	12.0	--	0:52
Spin Only	8.0	12.0	--	0:12
Drum Clean	-	-	90	1:18
Active Speed	8.0	12.0	40	1:10
Baby Care	8.0/6.0	12.0/8.0	60	2:01
Mix	8.0/6.0	12.0/8.0	40	0:58
Cotton	8.0/6.0	12.0/8.0	40	1:28

• The UAE energy efficiency class is: ★★★★★

Energy test program: Cotton, Speed: the highest speed; Temp.:60°C;Other as the default.

• For UAE:“Cotton 60°C” is the standard washing program which the information in the label and the fiche relates, and they are suitable to clean normally soiled cotton laundry and that they are the most efficient Programs in terms of combined energy and water consumptions for washing that type of cotton laundry,that the actual water temperature may differ from the declared cycle temperature.

### NOTE

- The parameters in this table are only for user's reference. The actual parameters maybe different with the parameters in above mentioned table.

# CLEANING AND MAINTENANCE

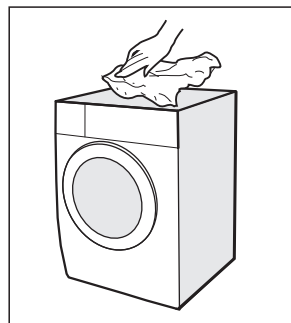
## Cleaning and Care

### WARNING

- Always unplug the appliance and close the water tap before cleaning and maintenance.

### Cleaning the Cabinet

Proper maintenance on the machine can extend its working life. The surface can be cleaned with diluted non-abrasive neutral detergents when necessary. If there is any water overflow, use a towel to wipe it off immediately. Never use sharp items to clean the appliance.



### CAUTION

- Never use abrasive or caustic agents. Such as formic acids or its diluted solvents or similar substances, like alcohol or chemical products.

### Cleaning the Drum

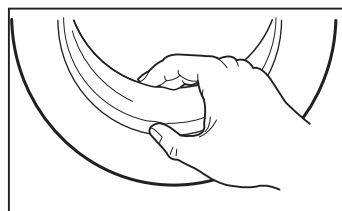
Any rust stains left inside the drum by metal articles must be removed immediately using chlorine-free detergents. Never use steel wool for cleaning the drum!

### NOTE

- Keep any laundry away from the machine while cleaning the drum.

### Cleaning the Door Seal and Glass

Wipe the glass and seal after each wash to remove lint and stains. If lint builds up it can cause leakages. Remove any coins, buttons and other objects from the seal after each wash. Clean the door seal and glass every month to ensure the normal operation of the appliance.



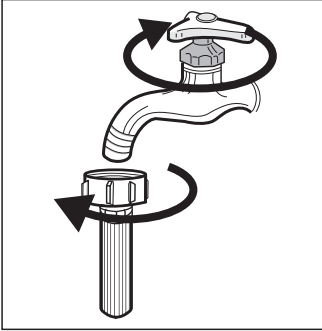


## Cleaning the Inlet Filter

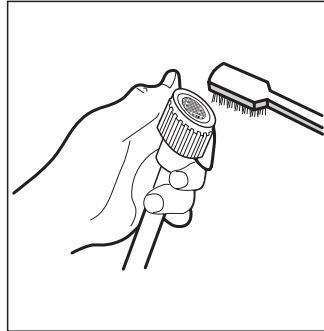
### NOTE

- Diminishing water flow is a sign that the filter needs to be cleaned.

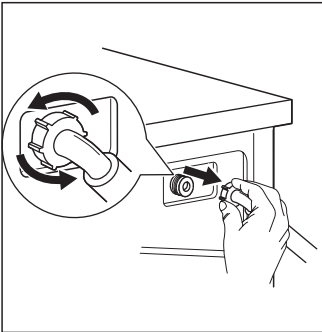
1. Close the tap and remove the water supply hose from it.



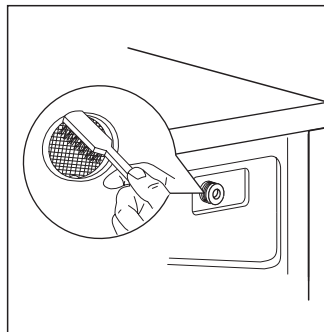
2. Clean the filter with a brush.



3. Unscrew the water supply hose from the backside of the machine. Pull out the filter with long nose pliers.




4. Use a brush to clean the filter.



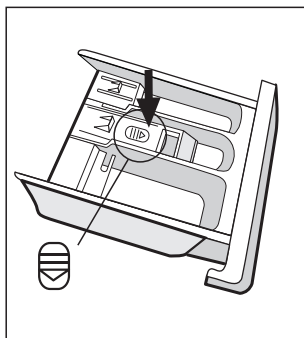
5. Reinstall the filter to the water inlet and reconnect the water supply hose.
6. Clean the Inlet filter every 3 months to ensure the normal operation of the appliance.

# CLEANING AND MAINTENANCE

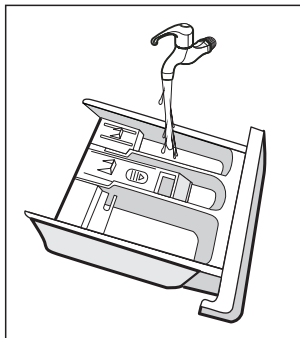
## Cleaning the Detergent Dispenser

1. Press down the release [  ] on the softener cover and pull the dispenser drawer out of the recess. Clean the inside of the recess with a brush.
2. Lift the softener cover off the dispenser drawer and wash both items with water.
3. Restore the softener cover and push the drawer back into the recess.

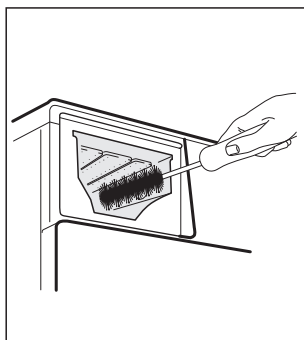
1. Press the release and remove the dispenser drawer



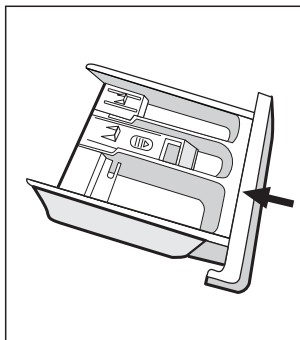
2. Clean the dispenser drawer and the softener cover under water



3. Clean the recess with a soft brush



4. Insert the dispenser drawer



### NOTE

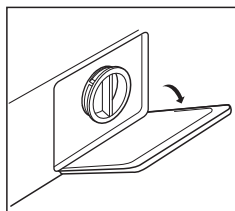
- Do not use abrasive or caustic agents to clean plastic parts.
- Clean the detergent dispenser every 3 months to ensure the normal operation of the appliance.

## Cleaning the Drain Pump Filter

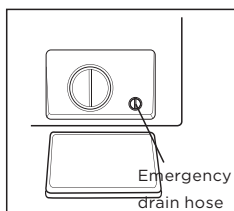
### WARNING

- Make sure that the machine has finished the washing cycle and is empty. Switch it off and unplug it before cleaning the drain pump filter.
- Be careful of hot water. Wait for water cooling down. Risk of scalding!
- Clean the filter periodically every 3 months to ensure the normal operation of the appliance.

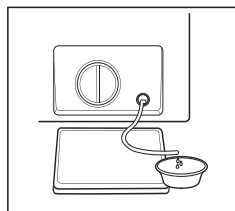
1. Open the lower cover cap



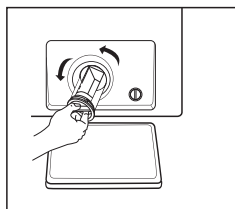
2. Rotate 90° and pull out the emergency drain hose, and take off the hose cap



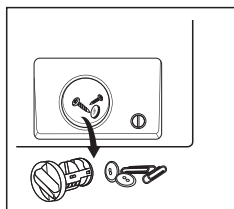
3. After water runs out, reset the drain hose



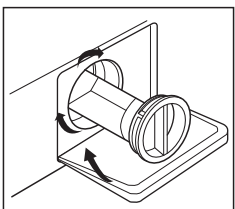
4. Open the filter by turning to the counter clockwise



5. Remove extraneous matter



6. Close the lower cover cap



### CAUTION

- Make sure that valve cap and emergency drain hose are reinstalled properly, cap plates should be inserted aligning to hole plates otherwise water may leak.
- Some machines don't have emergency drain hose, so step 2 and step 3 can be skipped. Rotate lower cover cap directly to make water run into basin.
- When the appliance is in use and depending on the programme selected there can be hot water in the pump. Never remove the pump cover during a wash cycle, always wait until the appliance has finished the cycle, and is empty. When replacing the cover, ensure it is securely re-tightened.

# TROUBLESHOOTING

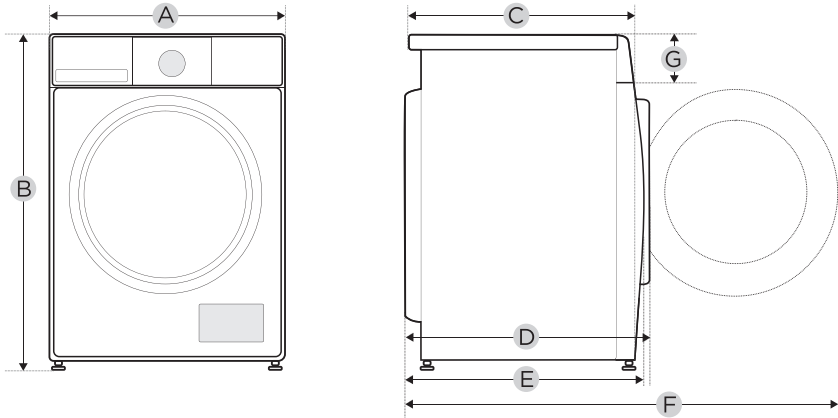
Whenever there is a problem with the appliance, check if you can solve it following the tables below. If the problem persists, please contact the customer service.

Description	Possible Cause	Solution
Appliance does not start	Door is not closed properly. Clothes are stuck.	Close the door properly and restart. Check the laundry.
Door can't be opened	Safety protection is activated.	Disconnect the power and restart.
Water leakage	Connections are not tight enough.	Check and fasten the water inlet pipe. Check and clean the outlet hose.
Detergent residues in the detergent dispenser	Detergent is damp and/or clotted.	Clean and wipe the detergent dispenser dry.
Indicator or display does not work	PC board or harness have connection problems.	Switch off the power and check if the mains plug is connected properly.
Abnormal noise	Fixing bolts are still in place. Floor is not solid or level.	Check if the fixing bolts have been removed. Make sure the appliance is installed on a solid and level floor.

## Error Codes

Description	Possible Cause	Solution
<b>E30</b>	Door is not closed properly.	Close the door properly and restart.
<b>E10</b>	Water injecting problem during wash cycle.	Check if the water pressure is high enough. Straighten the water pipe. Clean the inlet valve filter.
<b>E21</b>	Overtime water draining	Check the drain hose for blockage.
<b>E12</b>	Water overflow	Restart the appliance.
<b>EXX</b>	Others	Restart the appliance. If problem persists, please contact the customer service.

# SPECIFICATIONS



Model	NA-S086M4*	NA-S128M4*
Parameters		
Rated voltage	220-240V-	
Rated frequency	50Hz	50/60Hz
MAX.Current	10A	
Standard Water Pressure	0.05MPa-1MPa	
Washing Capacity	8.0kg	12.0kg
Drying Capacity	6.0kg	8.0kg
<b>Net Dimension</b>		
A	595mm	595mm
B	850mm	850mm
C	475mm	595mm
Net Weight	65kg	73kg
Rated Power	2000W	2000W
Drying Power	1300W	1300W
<b>Reference Dimension</b>		
D	539mm	659mm
E	521mm	641mm
F	1004mm	1124mm
G	135mm	135mm

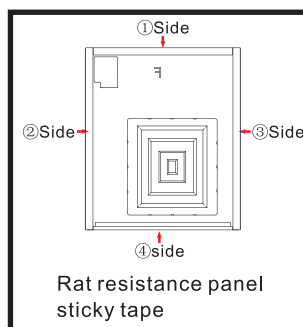
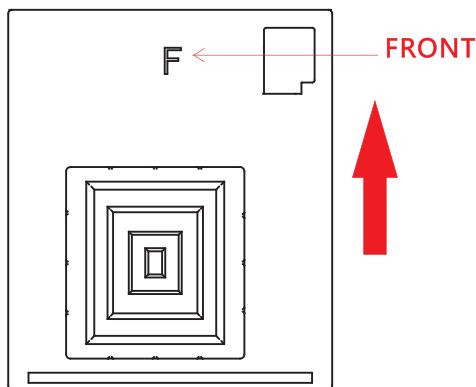
## RAT PANEL INSTALLATION INSTRUCTION

Before disassembling the shipping bolt , the rat resistance panel should be installed.

Please follow the steps below to install the panel.

1. Incline the machine to a suitable angle for installation . Packaging pad can be used under the machine . When inclining the machine , make sure no damage to it.
2. Remove the tapes pasted on four sides of panel.
3. Adjust the panel as per marked direction to the correct position , make sure the mark " F " leads to the front of the machine.
4. Stick the panel to the machine.
5. Secure the panel with the screws provided in the accessory bag.

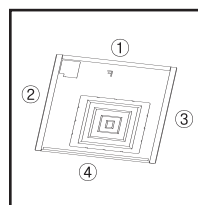
After all the steps above finished, please upright the machine to the correct position.



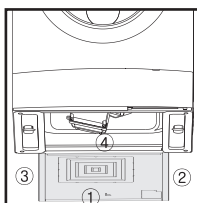
Arrow instruction of the inserting direction



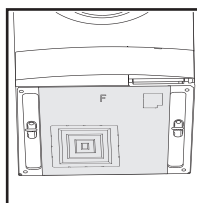
First step



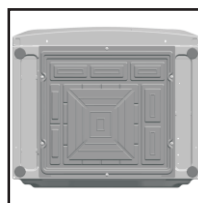
Second step



Third step



Fourth step



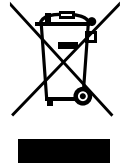
Last step  
(Secure with screws)

# DISPOSAL AND RECYCLING

## Important Instructions for Environment

Compliance with the WEEE Directive and Disposing of the Waster Product:  
This product complies with EU WEEE Directive (2012/19/EU). This product bears a classification symbol for waster electrical and electronic equipment (WEEE).

This symbol indicates that this product shall not be disposed with other household wastes at the end of its service life. Used device must be returned to official collection point for recycling of electrical electronic devices. To find these collection systems please contact to your local authorities or retailer where the product was purchased. Each household performs important role in recovering and recycling of old appliance. Appropriate disposal of used appliance helps prevent potential negative consequences for the environment and human health.



## Compliance with RoHS Directive

The product you have purchased complies with EU RoHS Directive (2011/65/EU). It does not contain harmful and prohibited materials specified in the Directive.

## Package Information

Packaging materials of the product are manufactured from recyclable materials in accordance with our National Environment Regulations. Do not dispose of the packaging materials together with the domestic or other wastes. Take them to the packaging material collection points designated by the local authorities.



## **WARNING**

Risk of electric shock

- Never try to repair an appliance which is defective or presumed to be defective. You may put your own and future users' lives in danger. Only authorised specialists are allowed to carry out this repair work.
- Improper repair will void the warranty and subsequent damages can't be recognized!

## **Transport**

### IMPORTANT STEPS WHEN MOVING THE APPLIANCE

- Unplug the appliance and close the water inlet tap.
- Check if the door and the detergent dispenser are closed properly.
- Remove the water inlet pipe and the outlet hose from the house installations.
- Let the water drain completely from the appliance (see "Cleaning the Drain Pump Filter")
- Important: Re-install the 4 transport bolts in the back of the appliance.
- This appliance is heavy. Transport with care. Never hold any protruding part of the machine when lifting. The machine door can not be used as a handle.



Manufacturer & Importer : Panasonic Marketing Middle East & Africa FZE  
Address : P.O. Box 17985, Jebel Ali Free Zone, Dubai, United Arab Emirates

M0523-00  
Printed in China