

ACCESSORIES



Pipe Hood

With Net

Without Net

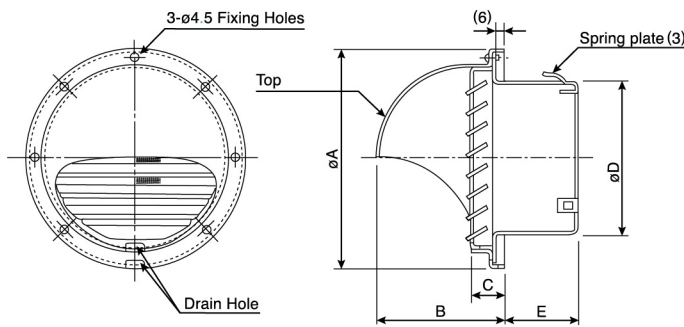
FV-MGX100P
FV-MGX150P

FV-MCX100P
FV-MCX150P

- High strength - adopt 0.5mm thickness SUS 304 stainless steel
- Excellent anti-rust capability - hood part coated with metallic silver paint prevent oxidation of material
- Easy installation - 3pcs of spring clip facilitate duct / pipe connection
- 2.5mm x 2.5mm net keep out ingress of small particles and insects from outside (FV-MGX100P & FV-MGX150P)
- It is recommended to use pipe hood with net at intake terminal while without net at exhaust.

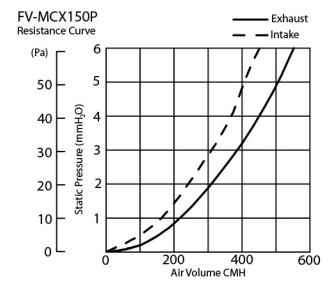
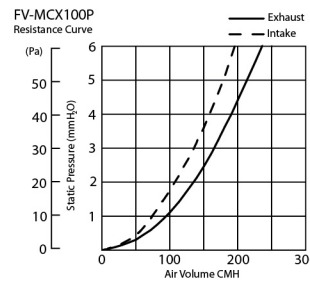
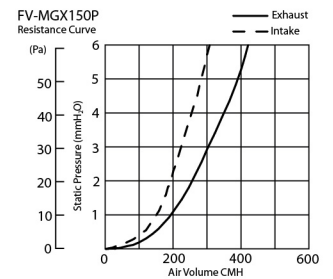
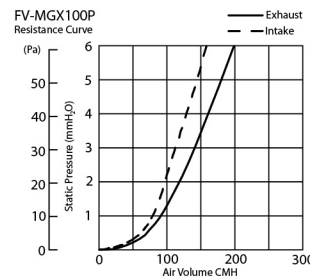
Dimensaion

Unit : mm



Model	A	B	C	D	E
FV-MGX100P	141	79	20	97	48
FV-MGX150P	190	106	23	147	53
FV-MCX100P	141	79	20	97	48
FV-MCX150P	190	106	23	147	53

Performance Data



Specification

Model No.	Diameter of Applicable Pipe [mm]	Material	Dimension of Net [mm]
FV-MGX100P	100	Stainless Steel	2.5 x 2.5
FV-MGX150P	150	Stainless Steel	2.5 x 2.5
FV-MCX100P	100	Stainless Steel	-
FV-MCX150P	150	Stainless Steel	-