

ACCESSORIES



Vent Cap

With Net

Without Net

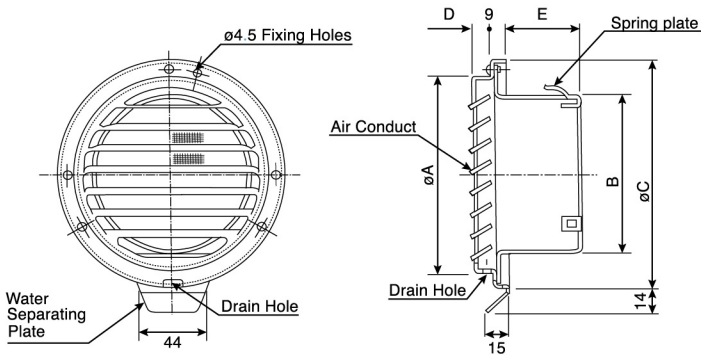
FV-VGX100P
FV-VGX150P

FV-VCX100P
FV-VCX150P

- High strength - adopt 0.5mm thickness SUS 304 stainless steel
- Easy installation - 3pcs of spring clip facilitate duct / pipe connection
- 2.5mm x 2.5mm net keep out ingress of small particles and insects from outside (FV-VGX100P & FV-VGX150P)
- It is recommended to use vent cap with net at intake terminal while without net at exhaust.

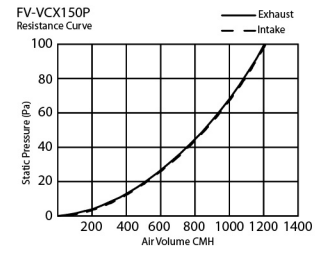
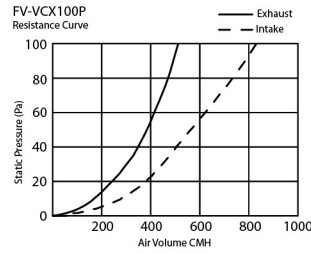
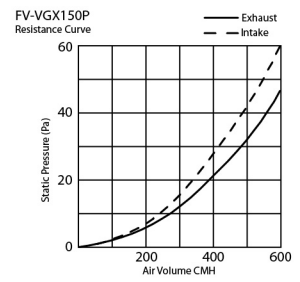
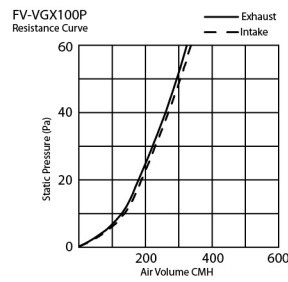
Dimension

Unit : mm



Model	A	B	C	D	E
FV-VGX100P	120	97	145	13	47
FV-VGX150P	169	147	195	18	52
FV-VCX100P	120	97	145	13	47
FV-VCX150P	169	147	195	18	52

Performance Data



Specification

Model No.	Diameter of Applicable Pipe [mm]	Material	Dimension of Net [mm]
FV-VGX100P	100	Stainless Steel	2.5 x 2.5
FV-VGX150P	150	Stainless Steel	2.5 x 2.5
FV-VCX100P	100	Stainless Steel	-
FV-VCX150P	150	Stainless Steel	-