

AIR CURTAIN

FY-08ESN, FY-10ESN FY-12ESN, FY-14ESN

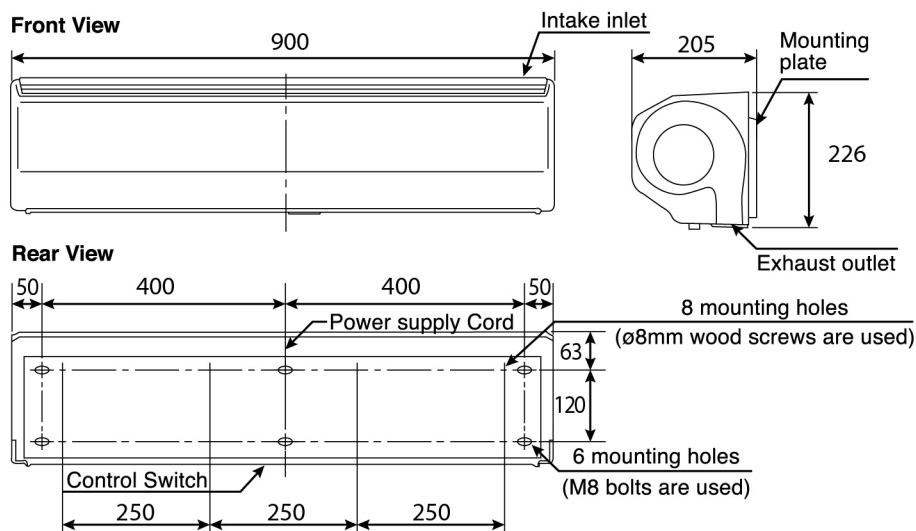
Sirocco Type - 900 Series



- Sirocco fan adopted for long reach and narrow diffusion airflow
- ABS resin casing provides better weather resistance
- Permanently lubricated ball bearing equipped
- Air deflection plate for airflow direction adjustment
- Air inlet at top allows neat image
- Push button switch
- 2-speed selection
- Product length = 900 mm

Dimension

Unit : mm



Specification

Model No.	Voltage			Air Volume		Consumption	Current	Outlet Velocity	Noise	Weight
	[V]	[Hz]		[m ³ /h]	[CFM]					
FY-08ESN	220	50	Hi	650	383	46	0.23	11.5	42	12.0
			Lo	580	341	42	0.21	10.3	39	
	60	Hi	690	406	57	0.28	12.1	43		
		Lo	560	330	49	0.25	9.9	38		
	240	50	Hi	680	400	51	0.24	11.9	43	
			Lo	620	365	47	0.23	10.9	41	
FY-10ESN	220	50	Hi	750	441	72	0.40	13.0	46	12.0
			Lo	630	371	62	0.29	11.1	42	
	60	Hi	860	506	88	0.42	14.9	50		
		Lo	600	353	72	0.33	10.9	40		
	240	50	Hi	750	441	84	0.46	13.2	46	
			Lo	630	371	66	0.30	11.7	43	
FY-12ESN	220	50	Hi	1,050	618	176	0.46	16.9	55	13.0
			Lo	960	565	155	0.30	15.8	50	
	60	Hi	990	583	202	0.82	16.1	54		
		Lo	940	553	170	0.69	15.3	49		
	240	50	Hi	1,120	659	200	0.94	17.9	57	
			Lo	1,040	612	169	0.75	16.8	54	
FY-14ESN	220	50	Hi	1,340	789	257	1.14	21.9	62	13.0
			Lo	1,168	687	218	0.99	19.1	59	
	60	Hi	1,303	767	312	1.43	21.3	61		
		Lo	1,083	637	255	1.16	17.7	57		
	240	50	Hi	1,395	821	281	1.18	22.8	63	
			Lo	1,272	749	238	1.00	20.8	60	

Note : The parameters shown above are measured at ambient temperature of 20°C

- The values of noise level are measured at 1.5 m apart from the product at angle of 45° below the air outlet at which is the maximum value
- The velocity is measured in test laboratory, it may vary depends on different environment in actual usage

AIR CURTAIN

FY-08ELN, FY-10ELN FY-12ELN, FY-14ELN

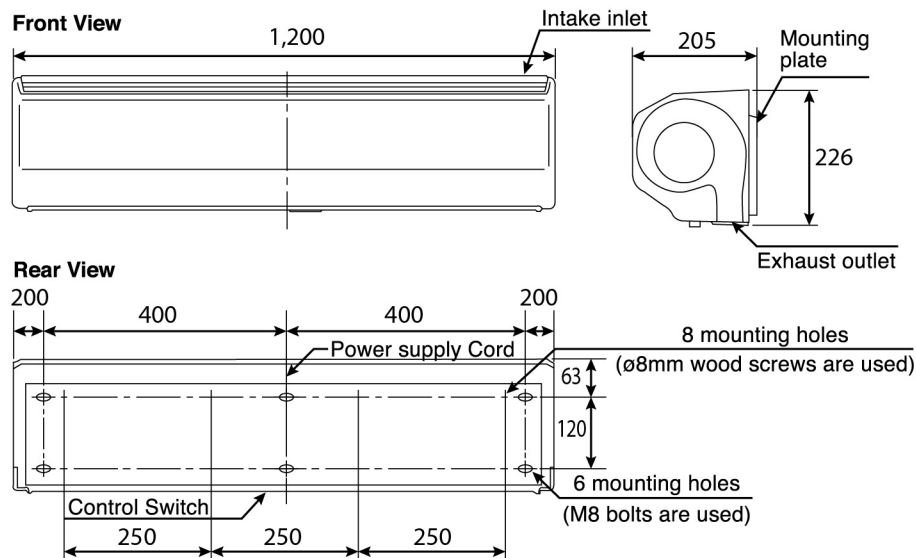
Sirocco Type - 1200 Series



- Sirocco fan adopted for long reach and narrow diffusion airflow
- ABS resin casing provides better weather resistance
- Permanently lubricated ball bearing equipped
- Air deflection plate for airflow direction adjustment
- Air inlet at top allows neat image
- Push button switch
- 2-speed selection
- Product length = 1,200 mm

Dimension

Unit : mm



Specification

Model No.	Voltage			Air Volume		Consumption	Current	Outlet Velocity	Noise	Weight
	[V]	[Hz]		[m³/h]	[CFM]					
FY-08ELN	220	50	Hi	880	518	57	0.28	11.6	43	14.0
			Lo	800	471	53	0.27	10.6	41	
	60	Hi	940	553	74	0.36	12.4	45		
		Lo	790	465	62	0.32	10.5	40		
	240	50	Hi	920	541	65	0.29	12.1	44	
			Lo	850	500	59	0.28	11.2	42	
FY-10ELN	220	50	Hi	1,000	589	96	0.54	13.1	46	14.0
			Lo	830	489	74	0.35	11.0	42	
	60	Hi	1,150	677	116	0.56	15.1	50		
		Lo	790	465	85	0.41	10.5	41		
	240	50	Hi	1,010	594	116	0.66	13.2	47	
			Lo	880	518	86	0.38	11.6	43	
FY-12ELN	220	50	Hi	1,420	836	224	1.04	17.0	56	15.0
			Lo	1,320	777	200	0.90	15.8	51	
	60	Hi	1,340	789	258	1.21	16.2	55		
		Lo	1,290	759	220	1.04	15.4	50		
	240	50	Hi	1,510	889	252	1.10	17.9	58	
			Lo	1,410	830	218	0.98	16.7	56	
FY-14ELN	220	50	Hi	1,867	1,099	333	1.52	22.5	63	15.0
			Lo	1,668	982	290	1.32	20.1	61	
	60	Hi	1,826	1,075	423	1.93	22.0	63		
		Lo	1,552	913	339	1.55	18.7	59		
	240	50	Hi	1,942	1,143	364	1.53	23.4	64	
			Lo	1,818	1,070	320	1.33	21.9	62	

Note : The parameters shown above are measured at ambient temperature of 20°C

- The values of noise level are measured at 1.5 m apart from the product at angle of 45° below the air outlet at which is the maximum value
- The velocity is measured in test laboratory, it may vary depends on different environment in actual usage