

HAND DRYER



FJ-T09A3, FJ-T09B3

Hand Dryer

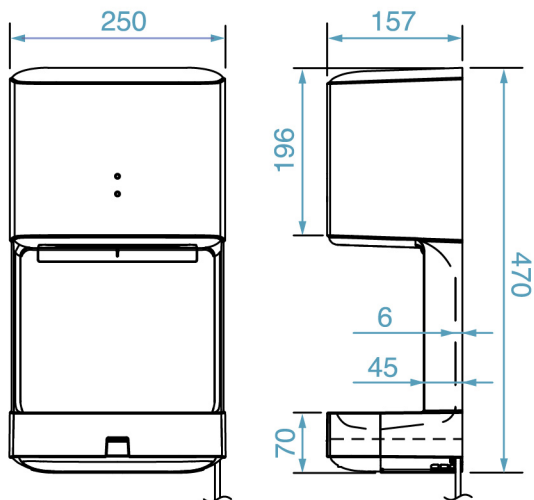


- Powerful air velocity enables drying time in few seconds
- Automatic operation by infra-red motion sensor
- Super alleru-buster filter equipped
- Anti-bacteria material for product body
- ON / OFF switch for heater
- Safety check indicator
- Auto stop after 60 seconds of continuous operation
- FJ-T09A3 only : Drain pan and water tank equipped
Full tank indicator

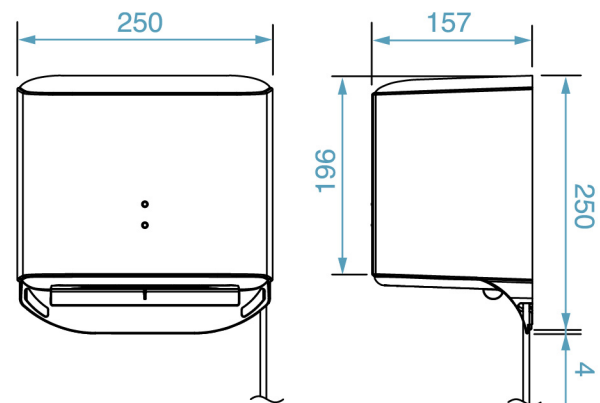
Dimension

Unit : mm

FJ-T09A3



FJ-T09B3



Specification

Model No.	Voltage		Consumption [W]		Air Velocity	Noise	Weight [kg]
	[V]	[Hz]	Heater ON	Heater OFF	[m/s]	[dB(A)]	
FJ-T09A3	220	50/60	1,020	650	90-110	62	4
	230	50/60	1,070	700	90-110	62	
FJ-T09B3	220	50/60	1,020	650	90-110	62	3.5
	230	50/60	1,070	700	90-110	62	