

# RANGE HOOD

## FV-90HQ1

Twin Motor Series



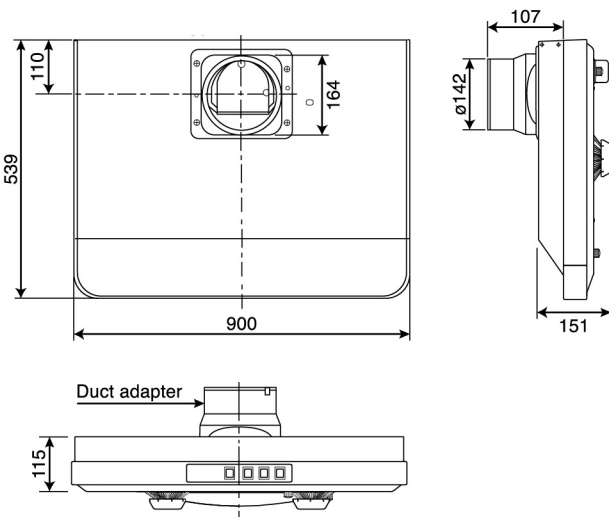
Dark Gray

- 2 motors with 2 sirocco fans adopted
- Individual control of motors with 2-speed selection
- Rocker switch
- Easy detachable for cleaning
- Slim designed main body with only 115 mm thickness
- Lamp equipped with separate switch control
- Color option: silver or dark gray

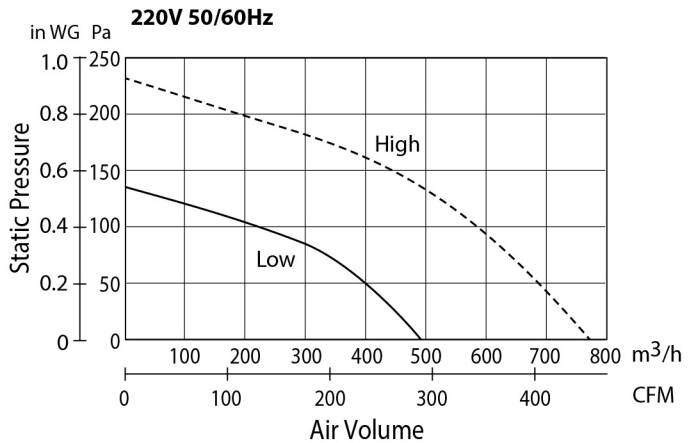
### Dimension

Unit : mm

### Performance Data



FV-90HQ1 Rocker Switch



### Specification

Model No.	Voltage			Air Volume		Consumption	RPM	Noise	Weight	Duct Size
	[V]	[Hz]		[m³/h]	[CFM]					
FV-90HQ1	220	50	Hi	785	462	152	993	52	18	ø150
			Lo	484	285	75	570	38		
		60	Hi	779	459	127	905	53		
			Lo	464	273	69	594	41		
	240	50	Hi	775	456	136	911	52		
			Lo	523	308	80	-	-		

Note : RPM data is for reference only, values may vary subject to different conditions

#### Test Condition

- The values of noise level is A weighted average sound pressure level, the mean value are measured by our company, within +3 to -7 dB tolerance
- The values of noise level are measured at 1 m apart from the side of fan body
- The values of air volume are the mid-points of results measured by our company, within ±10% tolerance