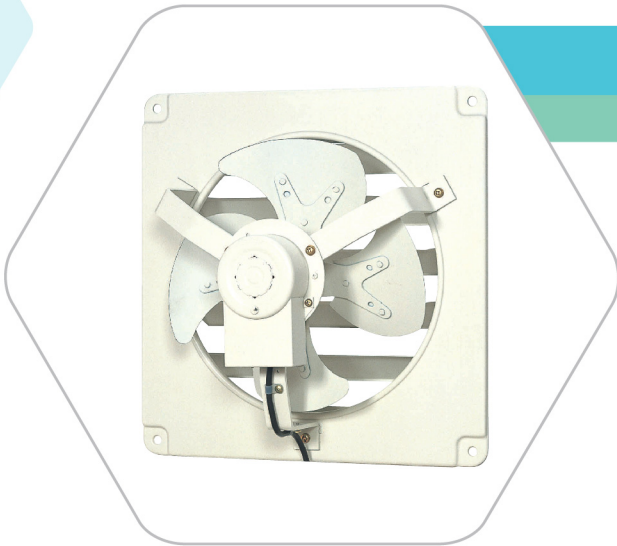


INDUSRTIAL VENTILATING FAN



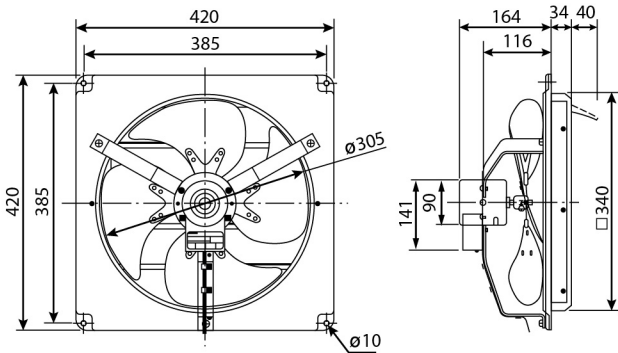
FV-30KUT

Shutter Series

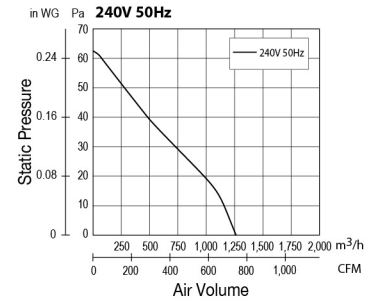
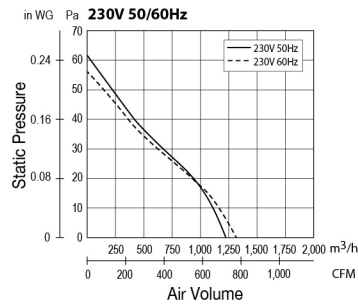
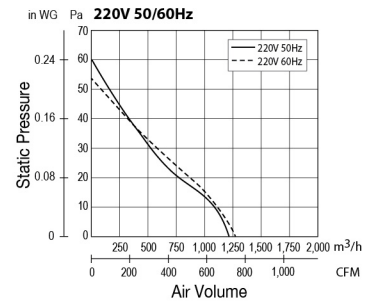
- High efficient condenser motor with thermal cutoff
- Large metal blade assembly for abundant air volume
- Automatic shutter equipped
- Durable paint coating
- Ambient temperature from -10°C to +50°C
- Suitable for factories, warehouses, etc.

Dimension

Unit : mm



Performance Data



Specification

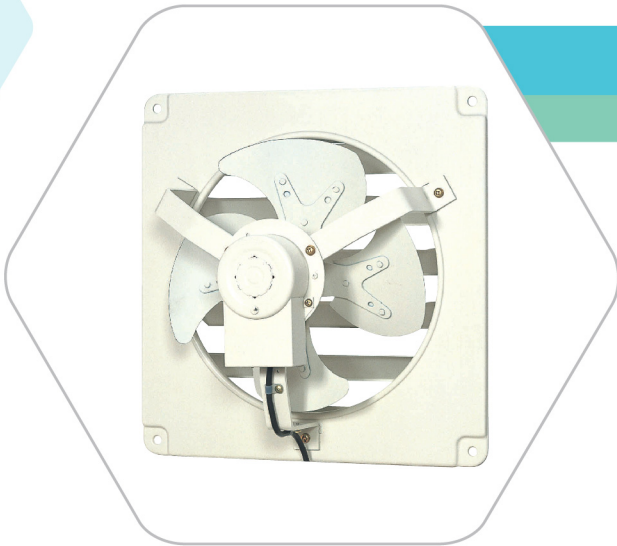
Model No.	Voltage		Air Volume		Consumption	RPM	Noise	Weight
	[V]	[Hz]	[m³/h]	[CFM]	[W]	[min ⁻¹]	[dB(A)]	[kg]
FV-30KUT	220	50	1,220	718	42	1,185	45.5	4.9
		60	1,270	747	51	1,255	46.5	
	230	50	1,230	724	44	1,210	46	
	240	50	1,260	742	47	1,240	46.5	

Note : RPM data is for reference only, values may vary subject to different conditions

Test Condition

- Air volume, electric characteristic and noise are specified at the static pressure of 0 Pa
- The values of noise level is A weighted average sound pressure level, the mean value are measured by our company, within +3 to -7 dB tolerance
- The values of noise level are measured at 1 m apart from the side of fan body
- The values of air volume are the mid-points of results measured by our company, within ±10% tolerance

INDUSRTIAL VENTILATING FAN



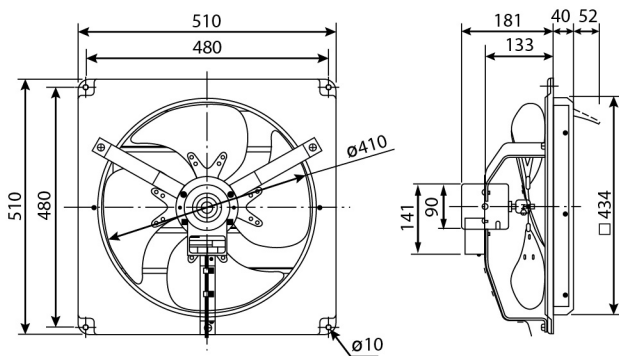
FV-40KUT

Shutter Series

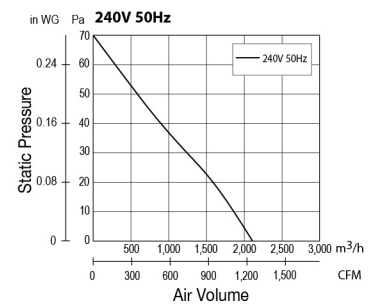
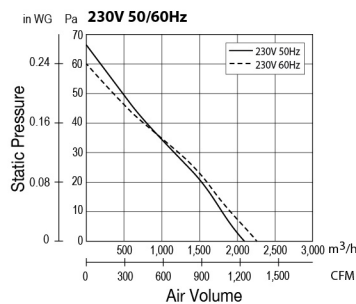
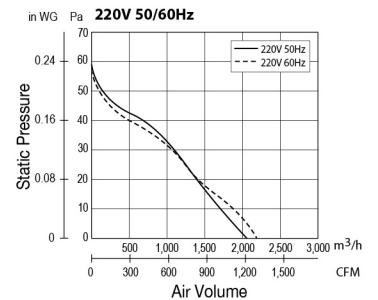
- High efficient condenser motor with thermal cutoff
- Large metal blade assembly for abundant air volume
- Automatic shutter equipped
- Durable paint coating
- Ambient temperature from -10°C to +50°C
- Suitable for factories, warehouses, etc.

Dimension

Unit : mm



Performance Data



Specification

Model No.	Voltage		Air Volume		Consumption	RPM	Noise	Weight
	[V]	[Hz]	[m³/h]	[CFM]	[W]	[min ⁻¹]	[dB(A)]	[kg]
FV-40KUT	220	50	2,060	1,212	61	1,175	49	6.4
		60	2,190	1,289	76	1,260	51	
	230	50	2,100	1,236	64	1,200	50	
	240	50	2,110	1,242	68	1,220	50.5	

Note : RPM data is for reference only, values may vary subject to different conditions

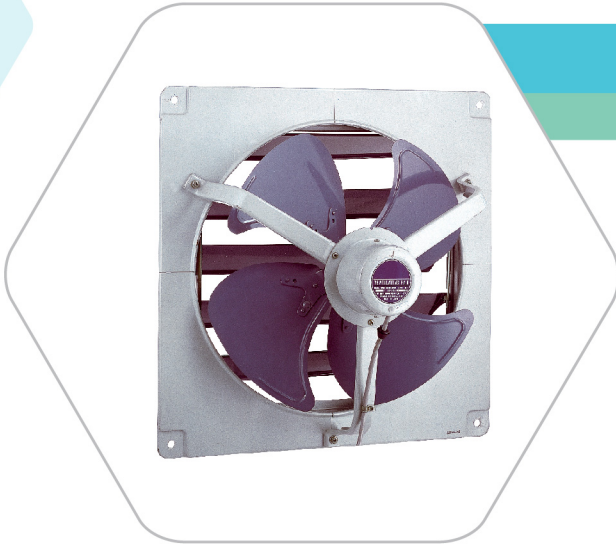
Test Condition

- Air volume, electric characteristic and noise are specified at the static pressure of 0 Pa
- The values of noise level is A weighted average sound pressure level, the mean value are measured by our company, within +3 to -7 dB tolerance
- The values of noise level are measured at 1 m apart from the side of fan body
- The values of air volume are the mid-points of results measured by our company, within ±10% tolerance

INDUSRTIAL VENTILATING FAN

FV-50AET2

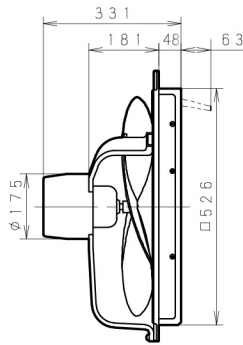
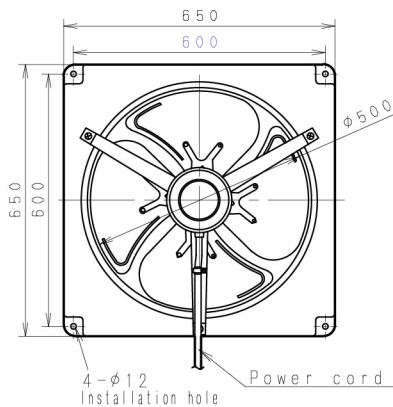
Shutter Series



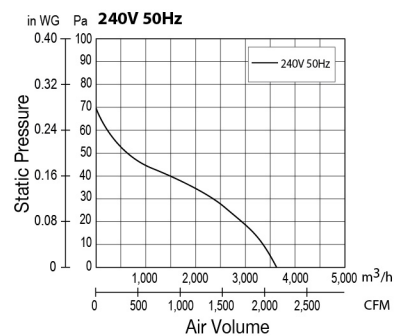
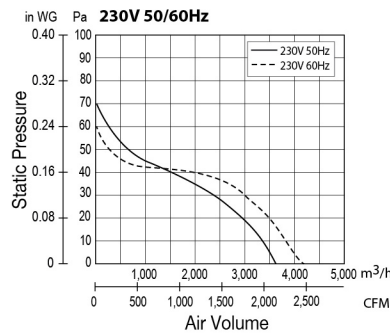
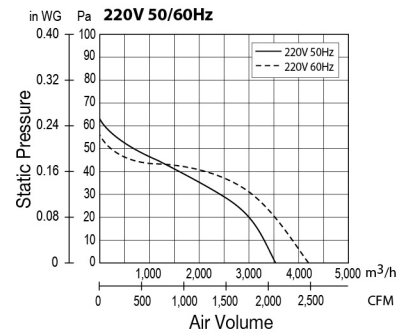
- High efficient condenser motor with thermal cutoff
- Large metal blade assembly for abundant air volume
- Automatic shutter equipped
- Durable paint coating
- Ambient temperature from -10°C to +40°C
- Suitable for factories, warehouses, etc.

Dimension

Unit : mm



Performance Data



Specification

Model No.	Voltage		Air Volume		Consumption	RPM	Noise	Weight
	[V]	[Hz]	[m³/h]	[CFM]	[W]	[min ⁻¹]	[dB(A)]	[kg]
FV-50AET2	220	50	3,630	2,137	108	920	54	11.5
		60	4,200	2,472	130	1,050	58	
	240	50	3,480	2,048	110	930	55	

Note : RPM data is for reference only, values may vary subject to different conditions

Test Condition

- Air volume, electric characteristic and noise are specified at the static pressure of 0 Pa
- The values of noise level is A weighted average sound pressure level, the mean value are measured by our company, within +3 to -7 dB tolerance
- The values of noise level are measured at 1 m apart from the side of fan body
- The values of air volume are the mid-points of results measured by our company, within ±10% tolerance