

WALL MOUNT VENTILATING FAN



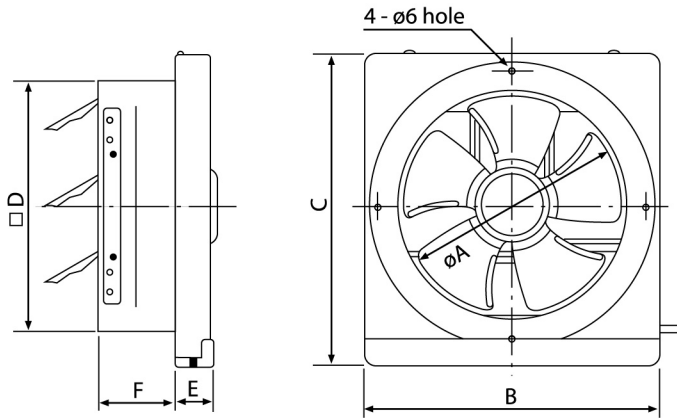
FV-20AS2, V-25AS2 FV-30AS2

Metallic Series

- High performance condenser motor with thermal cutoff
- Well lubricated ball bearing for long life operation
- Highly efficient propeller fan adopted
- Metallic structure with powder coating for fire safety and anti-rust
- Detachable metal oil cup for convenient cleaning
- Automatic shutter

Dimension

Unit : mm



Model	A	B	C	D	E	F
FV-20AS2	200	300	312	240	50	90
FV-25AS2	250	350	362	290	45	90
FV-30AS2	300	400	412	340	45	90

Specification

Model No.	Voltage		Air Volume		Consumption	RPM	Noise	Weight	Installation Space
	[V]	[Hz]	[m ³ /h]	[CFM]	[W]	[min ⁻¹]	[dB(A)]	[kg]	[mm]
FV-20AS2	220	50	516	304	17	1,220	37.5	2.9	250 x 250
		60	612	360	21.5	1,400	40.6		
	230	50	528	311	18.1	-	38.1		
		240	50	540	318	19.5	1,250		
FV-25AS2	220	50	858	505	25	1,200	39.1	3.5	300 x 300
		60	954	562	30.5	1,300	40.6		
	230	50	864	509	27.3	-	39.3		
		240	50	888	523	29.5	1,240		
FV-30AS2	220	50	1,182	696	29.5	1,050	39.2	3.9	350 x 350
		60	1,164	685	34.5	1,030	39		
	230	50	1,248	735	31.7	-	40.6		
		240	50	1,290	759	34	1,130		

Note : RPM data is for reference only, values may vary subject to different conditions

Test Condition

- Air volume, electric characteristic and noise are specified at the static pressure of 0 Pa
- The values of noise level is A weighted average sound pressure level, the mean value are measured by our company, within +3 to -7 dB tolerance
- The values of noise level are measured at 1 m apart from the side of fan body
- The values of air volume are the mid-points of results measured by our company, within ±10% tolerance