

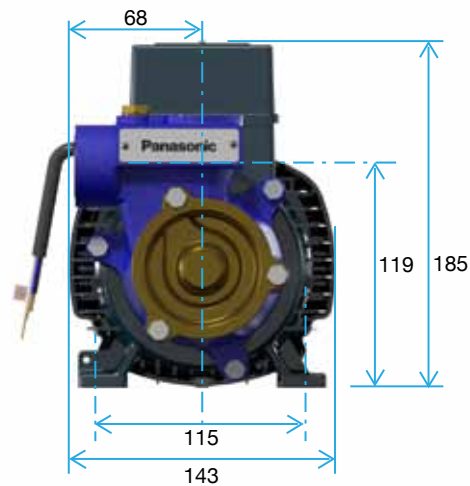
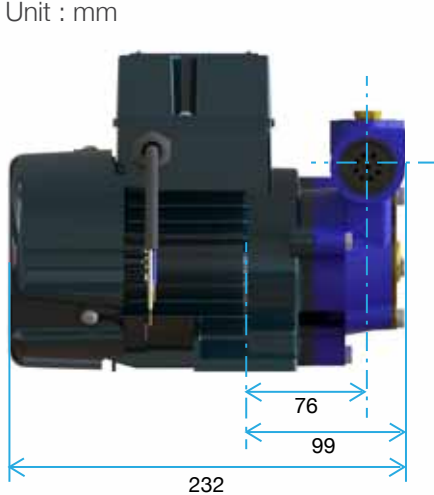


GP-05HPN1L/H

- Peripheral type
- Capacity = 5 L/min - 44 L/min
- Total head = 5m - 38m
- Brass impeller
- Cast iron casing with double paint coated housing
- SUS 304 steel motor shaft
- Insulation class: F
- IEC Standard compliance

Dimension

Unit : mm



Specification

	GP-05HPN1L/H
Rated Voltage	220V - 240V 50Hz, single phase
Capacity [L/min]	5 - 44
Total Head [m]	5 - 38
Input Wattage [kW]	0.58
Output Wattage [kW]	0.37 (0.5 HP)
Ampere [A]	2.6
IP Rating	IP54
Suction Pipe	1 inch (25 mm)
Discharge Pipe	1 inch (25 mm)
Size (L x W x H) [mm]	232 x 143 x 185
Weight [kg]	7

